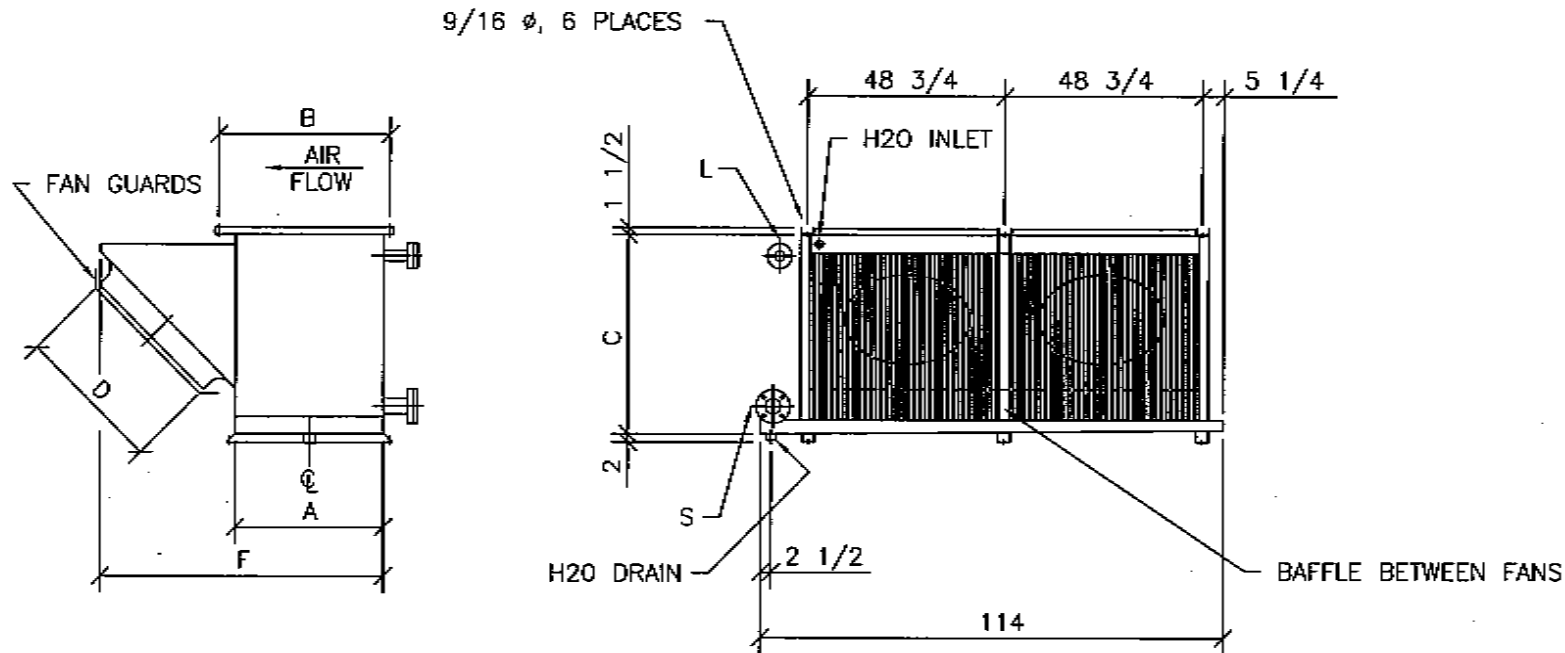



-M- SERIES EVAPORATOR DATA

CUSTOMER:	FREEZING SYSTEMS, INC. P.O. #8476-506		
LOCATION:	M & M FABRICATORS, YAKIMA, WASHINGTON		
JOB NUMBER:	9524E	DATA SHEET NO:	9524E-01
MODEL NUMBER:	2PCM21C101/2/4WTA0G0	DRAWING NUMBER:	B-9524E-01 REV.B
NO OF RIGHTHAND:	0	NO OF LEFTHAND:	1
REFRIGERANT:	R-717	FEED TYPE:	TOP FEED RECIRC.
TYPE OF DEFROST:	WATER	CIRCUIT ARRANGMENT:	OUT BACK
CAPACITY-TONS:	10.0	CAPACITY-BTU:	120,000
AIR TEMP:	-18 DEG. F	SUCTION TEMP:	-30 DEG. F
AIR FLOW-CFM:	11,000	STATIC PRESS:	-
FAN TYPE:	AXIAL	NO OF FANS:	2
MOTOR TYPE:	TEFC	HORSEPOWER:	3
MOTOR RPM:	1800	MOTOR FRAME:	182T
MOTOR VOLTAGE:	460/3/60	MOTOR FLA/FAN:	5.2
FAN DIAMETER:	30"	FAN NUMBER:	M2-2418-3-30
LIQUID CONN:	3/4" FLANGE	SUCTION CONN:	3" FLANGE
HOT GAS CONN:	NONE	DEFROST H2O CONN:	2" MPT
H2O DRAIN CONN:	4" PLANE	CASING MAT'L:	GALVANIZE SHEET
FACE AREA:	21.0 SQ. FT.	TOTAL SURFACE:	2,575.4 SQ. FT.
TUBE PATTERN:	STAGGERED	TYPE CIRCUIT:	FULL
ROWS HIGH:	14	ROWS DEEP:	10
FINNED LENGTH:	96"	FINS PER INCH:	2R@1, 2R@2, 6R@4
TUBE MATERIAL:	7/8" ALUMINUM	FIN MATERIAL:	.014" ALUMINUM
MOUNTING TYPE:	FLOOR	WEIGHT:	1,200 LBS.
ACCESSORIES:	FAN GUARDS		
MODIFICATIONS:	45 DEG. SLOPED FANS, 2" SLOPED 6" DEEP FAN, PLATFORMS		
DATA BY:	WILLIAM H. MORSE	DATE:	04/24/95

MCCORMACK MANUFACTURING CO. INC.

Post Office Box 1727 * Lake Oswego, Oregon, 97035 * (503)639-2137 * FAX(503)639-1800



UNITS REQUIRED		NO OF FANS		2						-M- SERIES EVAPORATORS							
RIGHTHAND	0	DIA	30	P/N	N2-2418-3-30									MODEL NO.		2PCM021C101/2/4WTA0GQ	
LEFTHAND	1	HP	3	FRM	182T					PROJECT		FREEZING SYSTEMS, INC.					
CONNECTION	SIZE	QTY	RPM	1800	FLA					5.2	LOCATION		M & M FABRICATORS, YAKIMA, WASHINGTON				
LIQUID	3/4 FLG	1	VOLTAGE	460/3/60						DRAWN		Bill M.	DATE	03/21/95	SHEET	1	OF
SUCTION	3 FLG	1	ROWS DEEP	A	B	C	D	E	F	NOTES: UNLESS OTHERWISE SPECIFIED: 1. ALL DIMENSIONS ARE IN INCHES. 2. PAN SLOPED TO DRAIN CONNECTION. 3. RIGHTHAND UNIT SHOWN 4. ALLOW 12 IN ON INLET SIDE FOR SPLASH LIP.		DRAWING NO		8-9524E-01			
HOT GAS	-	0	8	32	35	43 1/4	30 1/2	-	62	D		A		CHANGED MODEL TO TOP FEED RECIRC. W.H.M. 03/22/95			
H2O INLET	2 MPT	1									B		CHG. UNIT TO LH, CORR. MDL. # & DIM. B W.H.M. 04/24/95				
H2O DRAIN	4 PL	1															
EVAP-DIM.DWG 1=32																	

1 / 1