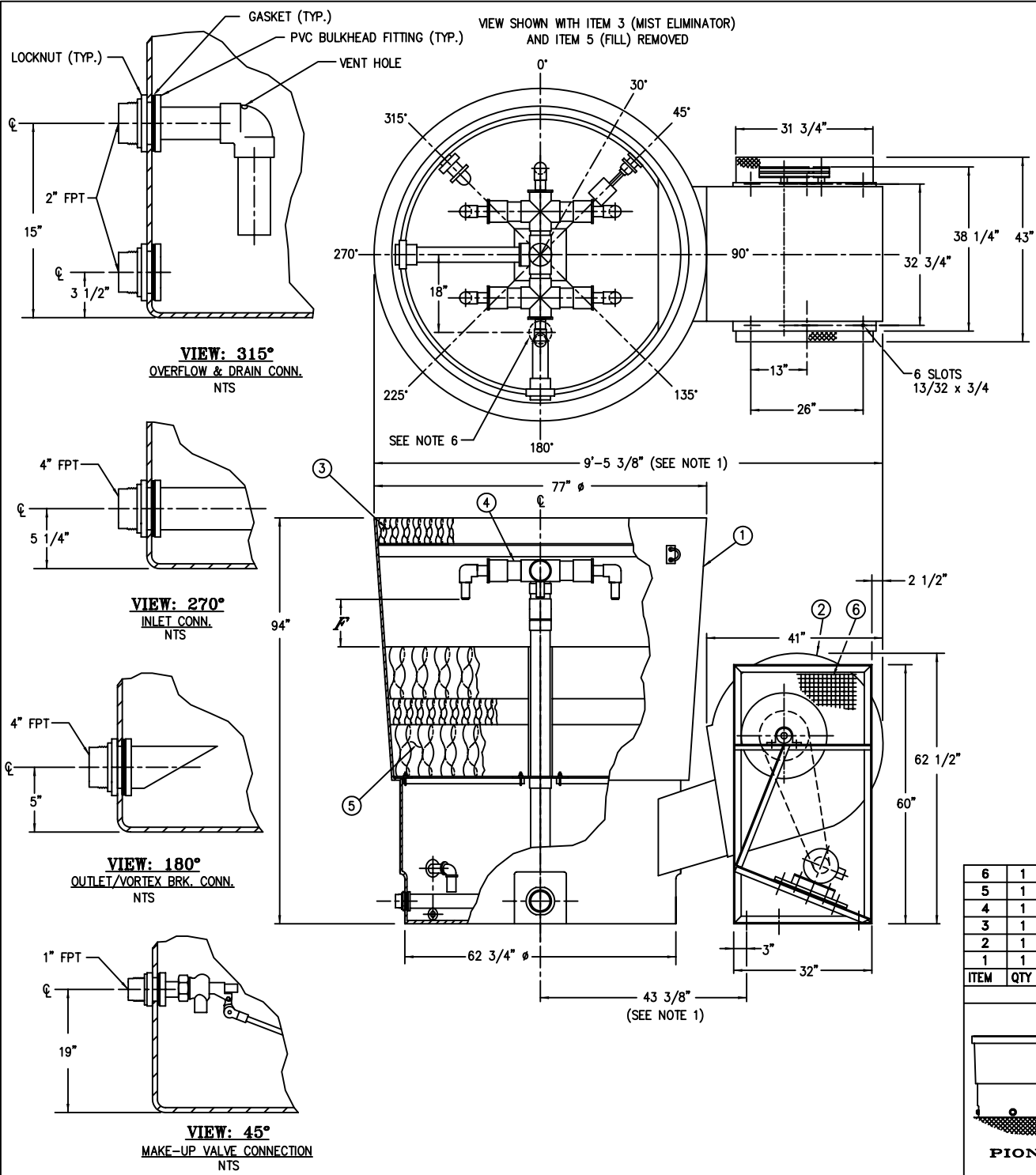


| DATE | SYM | REVISION | AUTH | CHK |
|------|-----|----------|------|-----|
|      |     |          |      |     |



**NOTES:**

1. DIMENSIONS SHOWN ARE NOMINAL AND ARE SUBJECT TO FABRICATION TOLERANCES.
2. TOWER TO BE INSTALLED ON A FLAT AND RIGID SURFACE, PROPERLY SUPPORTED.
3. EXTERNAL PIPING MUST BE INDEPENDENTLY SUPPORTED.
4. PIPING & BULKHEAD FITTING MATERIAL IS PVC.
5. HARDWARE MATERIAL IS TYPE 304 STAINLESS STEEL.
6. BOTTOM OUTLET IS OPTIONAL IN LIEU OF SIDE OUTLET.

| UNIT       | ΔT 150 |
|------------|--------|
| F          | 11"    |
| MOTOR H.P. | 15     |

| ITEM | QTY | PART NO. | DESCRIPTION         | MATERIAL         | REMARKS  |
|------|-----|----------|---------------------|------------------|----------|
| 6    | 1   |          | FAN GUARD           | PVC COATED STEEL |          |
| 5    | 1   |          | FILL                | PVC              |          |
| 4    | 1   |          | SPRAY TREE ASSEMBLY | PVC              |          |
| 3    | 1   |          | MIST ELIMINATOR     | PVC              | 76" DIA. |
| 2    | 1   |          | BLOWER ASSEMBLY     | COATED STEEL     |          |
| 1    | 1   |          | TOWER SHELL         | POLYETHYLENE     |          |

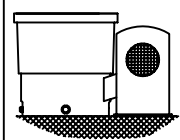
**BILL OF MATERIALS**

**DELTA COOLING TOWERS, INC.**  
 41 PINE STREET, ROCKAWAY, NJ 07866  
 PH 973.586.2201 FAX 973.586.2243

**TITLE ΔT150 ASSEMBLY**

DWN BY *Bonnie L. Odde*  
 APPVD BY *W.A. Patterson*

SCALE 3/4" = 1'-0" DWG NO. DT-C-78-400  
 DATE 9/18/01



PIONEER®