

# SF-Series 600 Flake Ice Machine



**Manitowoc**



SF-600 Ice Machine  
on B-420 Bin

- Up to 670 lbs. (304 kgs.) daily ice production
- Only 22" (55.88 cm) wide
- Flake ice is small hard bits of ice ideally suited for any "contact" presentation. It forms completely around the contact item and cools quickly
- Manitowoc's patented cleaning technology manages the cleaning process from start to finish
- Evaporator is designed for maximum quality and operating life
- Warranty  
2-year parts and labor coverage on all components. Additional 3-year (5-year total) parts coverage on ice machine compressor



ISO 9001:2000  
Quality System  
Certified

**America's #1 Selling Ice Machine**

Cube, Nugget & Flake Ice Machines • Ice Storage Bins • Ice Dispensers

**Manitowoc**  
Foodservice Group

# SF-Series 600 Flake Ice Machine

## Space-Saving Designs



	SF-600 B-420	SF-600 B-400
Height	71.50" 194.31 cm	65.00" 165.10 cm
Width	22.00" 55.88 cm	30.00" 76.20 cm
Depth	34.00" 86.30 cm	34.00" 86.30 cm
Bin Storage	310 lbs. 141 kgs.	310 lbs. 141 kgs.

B-400 requires K-00141 adapter.

Height includes adjustable bin legs 6.00" to 7.00", (15.24 to 17.78 cm) set at 6.00" (15.24 cm).

Model	Ice shape	Ice production 24 hours Based on Air/Water Temp.				Power kWh/100 lbs.
		70°/50°F		90°/70°F		
SF-0606A	flake	670 lbs.	304 kgs.	506 lbs.	230 kgs.	5.8
SF-0607W	flake	637 lbs.	289 kgs.	553 lbs.	251 kgs.	4.7
SF-0696N	flake	629 lbs.	285 kgs.	549 lbs.	249 kgs.	6.1
Water usage/100 lbs./45.4 kgs. of ice						
Potable Water: 12 gallons, 45.4 liters • Water-cooled Condenser: 100 gallons, 379 liters						

Order ice storage bin separately. "A", "W" or "N" following model number indicates "Air", "Water" or "Remote" condensing unit. Use JC-0495A condenser unit and RM tubing. Will not accept AuCS accessory. Test conditions are 90°F/32°C air, 70°F/21°C water, and 30 ± 3 psig water inlet pressure.

## Ice Machine Electric

115/60/1. (208-230/60/1 and 230/50/1 also available, consult factory.)

**Minimum circuit ampacity:** Air-cooled: 16.2 amps  
Water-cooled: 15.5 amps  
Remote: 17.9 amps

**Maximum fuse size:** Air and Water-cooled: 20 amps

HACR-type circuit breakers can be used in place of fuses.

## Specifications

**BTU Per Hour:**  
5,300 (average)

**Compressor:**  
Nominal rating: 3/4 HP

**Refrigerant:** R404A

**Cupra-Nickel Condenser:**  
(Water-cooled models)  
Adds protection from  
corrosive water elements.

### Operating Limits:

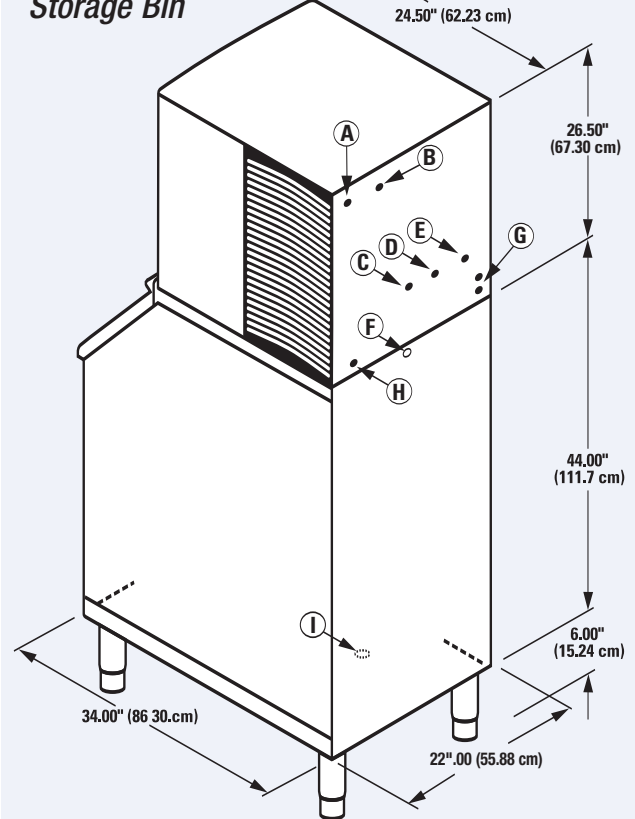
- **Ambient Temperature Range:**  
45°-110°F (7.2°-43.3°C)  
SF-696N: -20°-120°F  
(-29°-49°C)
- **Water Temperature Range:**  
45°-90°F (7.2°-32.2°C)
- **Water Pressure Ice Maker**  
Water In:  
Min. 20 psi (137.9 kPa)  
Max. 80 psi (551.1 kPa)

## Ice Shape

Flake ice is small hard bits  
of ice ideally suited for  
presentation  
applications.



## SF-600 on B-420 Storage Bin



- A 3/8" (0.95 cm) F.P.T. Ice Making Water Inlet
- B 1/2" (1.27 cm) F.P.T. Water Condenser Outlet (water-cooled units)
- C Refrigerant Discharge Line (remote only)
- D 3/8" (0.95 cm) F.P.T. Water Condenser Inlet (water-cooled units)
- E Refrigerant Liquid Line (remote only)
- F 1/2" (1.27 cm) Auxillary Base Drain Socket
- G Electrical Entrance (2) Options
- H 1/2" (1.27 cm) Drain Fitting
- I 3/4" (1.91 cm) Bin Drain

### Installation Note -

Minimum installation clearance— Top/sides: 8" (20.32 cm); Back: is 5" (12.7 cm).

**Note -** Not approved for dispenser applications.

©2007 Manitowoc 407 Continuing product improvement may necessitate change of specifications without notice. 3912

MANITOWOC ICE, INC.  
2110 South 26th Street, P.O. Box 1720  
Manitowoc, WI 54221-1720, USA  
Ph: 920-682-0161 • Fax: 920-683-7589  
Visit us online at [www.manitowocice.com](http://www.manitowocice.com)

