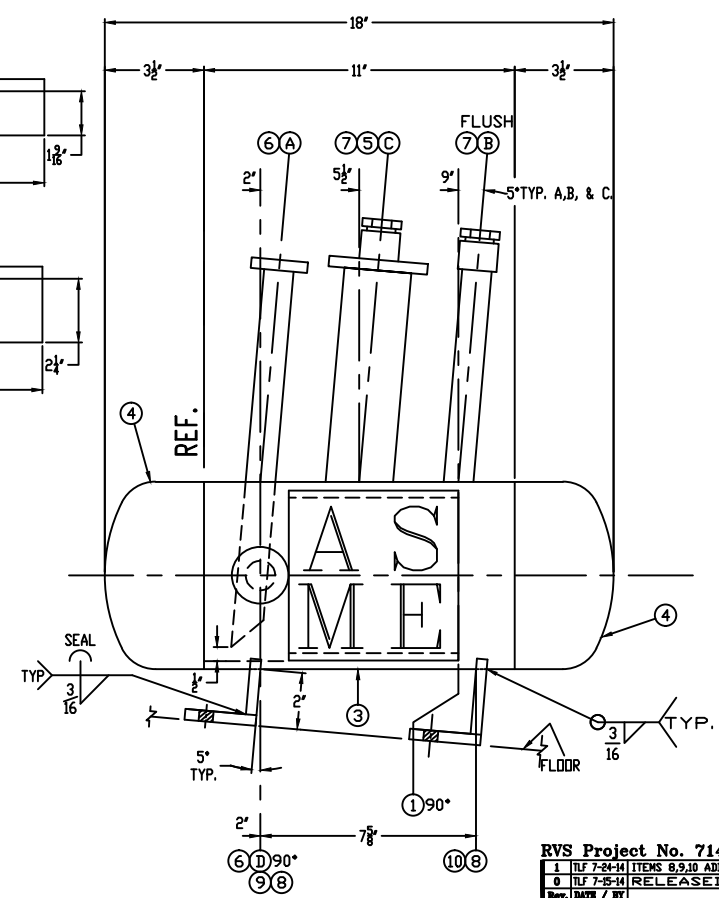
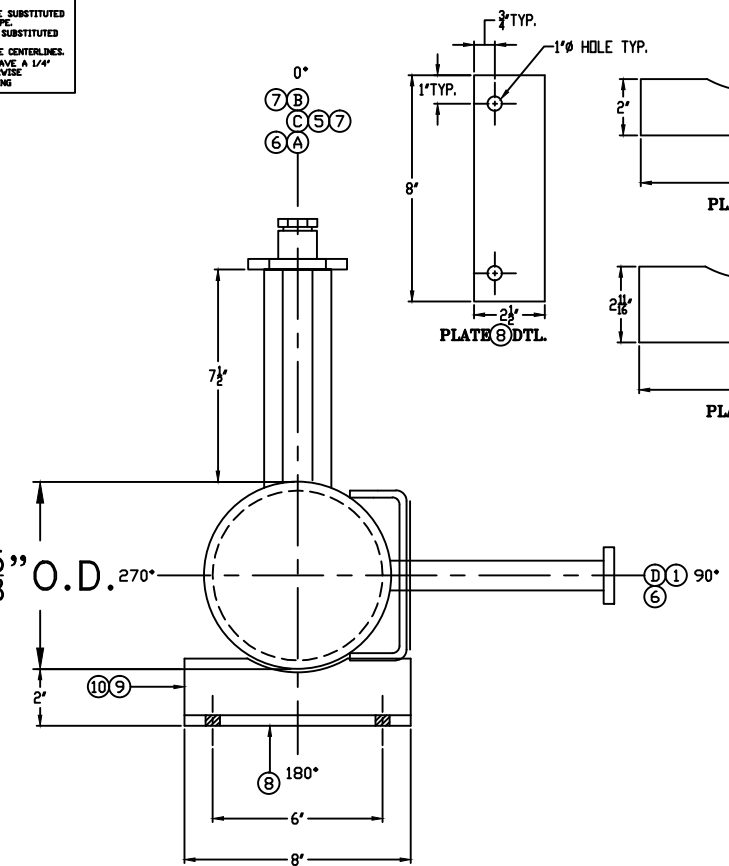
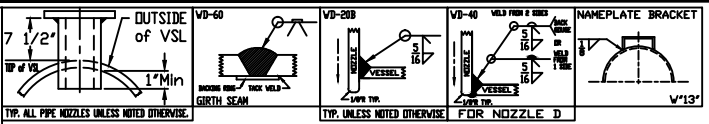


GENERAL NOTES

- WELDING SHALL BE IN ACCORDANCE WITH WPS-1-4 CARBON STL. TO STEEL/ WPS-1-8 CARBON STL. TO STAINLESS STL/ WPS-9-9 STAINLESS STL. TO STEEL/ FABRICATION TOLERANCES FOR R.V.S. SHIP PROCEDURE NO. 1-701.
- ALL WELDS SHALL MEET THE VISUAL ACCEPTANCE CRITERIA OF MAP-704.
- PRESSURE TESTING SHALL BE IN ACCORDANCE WITH MAP-701 OR MAP-706 AS APPLICABLE.
- COATING SHALL BE IN ACCORDANCE WITH MAP-606.
- BOLT TORQUES SHALL BE IN ACCORDANCE WITH MAP-608.
- SAGIN SMLS PIPE MAY BE SUBSTITUTED FOR SAGIN SEAMLESS PIPE.
- SAGIN-70 PLATE MAY BE SUBSTITUTED FOR SAGIN PLATE.
- ALL BOLT HOLES STRAIGHT CENTERLINES.
- PASS & REPAIRS SHALL HAVE A 1/4" VEEHOLE UNLESS OTHERWISE INDICATED ON THE DRAWING.



CERTIFIED

RVS Project No. 71400 DATUM#419694

1 TLF 7-24-14 ITEMS 8,9,10 ADDED/ RELEASED FOR FABRICATION DS 7-24-14

0 TLF 7-5-14 RELEASED FOR FABRICATION DS 7-15-14

Rev. DATE / BY DESCRIPTION CHECK'D / DATE

ESTIMATED WEIGHT: 15' HEIGHT: 15'

SHIPPING DIMENSIONS LENGTH: 20' DRY WEIGHT: 38 LBS.

OWNER: **STELLAR** PA. 285954

VESSEL DESIGN SPECIFICATIONS

DESIGN & CONSTRUCTION IN ACCORDANCE WITH SECTION VII DIV. 1 AND CODE FOR PRESSURE VESSELS 2012, SECTION 8 AND ADDENDA TO ---

DESIGN: 1st DES. 2nd DES. AFTER FURNISH. CA: 0

STANDARD: 2nd DES. 2nd DES. AFTER FURNISH. CA: 1

PAINT: SANDUWAST SSPC-SP6, RVS BLUE PRIMER

TITLE: 6 5/8" O.D. x 18" 300# ASME HRZ. OIL POT

DRWN: TLF 7-11-14 SCB: 6"=1'-0"

DS 7-15-14 S/N: 49694 DWG No. 49694

BILL of MATERIALS

ITEM NO.				QUANTITY				DESCRIPTION				MATERIAL					
1	1			1	1	1	1	1	1	1	1	1	1	1	1	1	1
2	1	3/4"	PIPE	5/80	SAIGB	MANUAL BRAIN	9'	4	2	6"	R.V. PIPE CAP	5/40	SAIGB	3/4"	SAIGB	11'	1
3	1	3/4"	PIPE	5/80	SAIGB	DRAINLET	9'	3	2	6"	PIPE SHELL (7) #	5/40	SAIGB	3/4"	SAIGB	11'	1
4	1	3/4"	PIPE	5/80	SAIGB	VENT	9'	2	2	6"	BACKING RING	2/250	SAIGB	3/4"	SAIGB	11'	1
5	1	3/4"	PIPE	5/80	SAIGB	OUTLET	13	3/8"	1	1	6"	STD NAMEPLATE BRACKET	SAIGB	6"	SAIGB	6"	1

TEST WITH WATER

HYDRO NOTES:
1) ESTIMATED VOLUME: 2.23 GALLONS.

REVISIONS

NO.	DATE	DESCRIPTION