

APV Triple Tube Heat Transfer System

Mfg: APV

Model:

Stock No. DBPF098.65

Serial No.

APV Triple Tube Heat Transfer System.

WO # 31884- 12 Modules

Cooler 1 – (8) CTT-C-154-139.7-101.6-6M (8 Modules, 6 in. x 5.5 in. x 4 in. x 20 ft. Long per Module)-
392 ft sq.

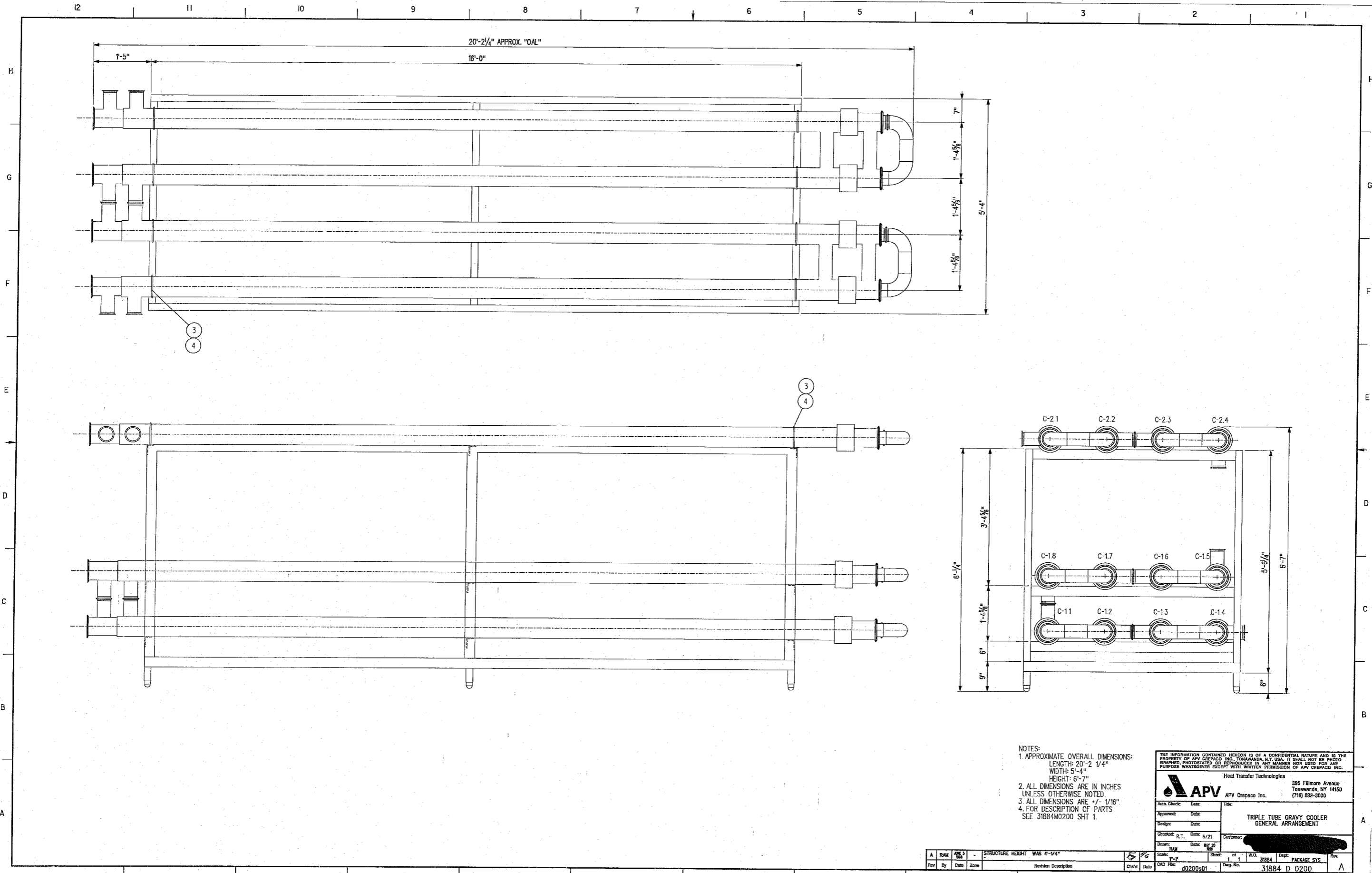
Gravy	20 gpm	190--> 100 F 44 psid	860,000 BTU/hr
Water	80 gpm	70 ---> 92 F 15 psid	

Cooler 2 – (4) CTT-C-154-139.7-101.6- 6M (4 Modules, 6 in. x 5.5 in. x 4 in. x 20 ft. Long per Module)-
392 ft. sq.

Gravy	20 gpm	100--> 70 F 50 psid	286,600 BTU/hr
Water	80 gpm	40---> 48 F 10 psid	

CIP 140 gpm 30 psid





- NOTES:
1. APPROXIMATE OVERALL DIMENSIONS:
LENGTH: 20'-2 1/4"
WIDTH: 5'-4"
HEIGHT: 6'-7"
 2. ALL DIMENSIONS ARE IN INCHES UNLESS OTHERWISE NOTED.
 3. ALL DIMENSIONS ARE +/- 1/16"
 4. FOR DESCRIPTION OF PARTS SEE 31884M0200 SHT 1.

THE INFORMATION CONTAINED HEREON IS OF A CONFIDENTIAL NATURE AND IS THE PROPERTY OF APV CREPECO INC., TONAWANDA, N.Y. USA. IT SHALL NOT BE PHOTOCOPIED, REPRODUCED OR REPRODUCED IN ANY MANNER NOR USED FOR ANY PURPOSE WHATSOEVER EXCEPT WITH WRITTEN PERMISSION OF APV CREPECO INC.

Heat Transfer Technologies
APV APV Crepeco Inc. 395 Fillmore Avenue
 Tonawanda, NY 14150 (716) 692-3000

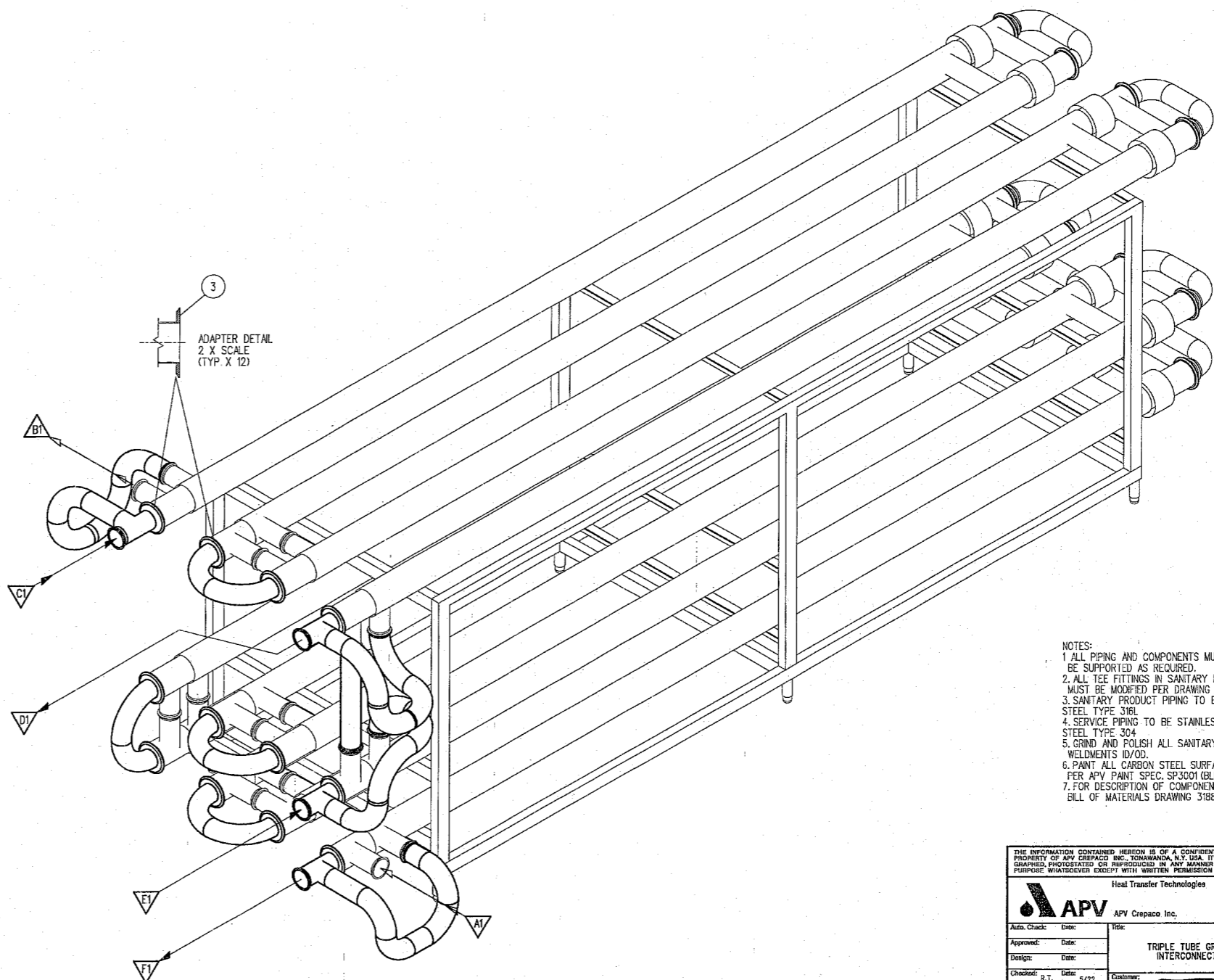
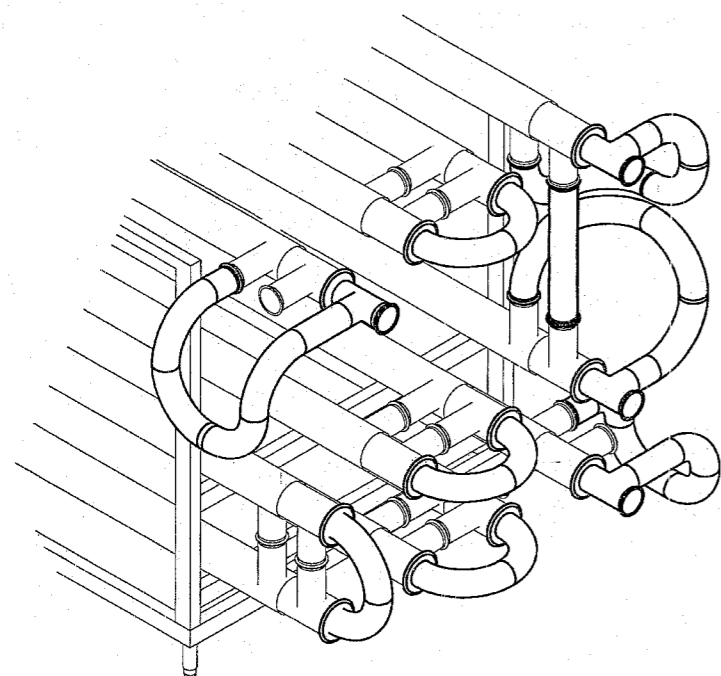
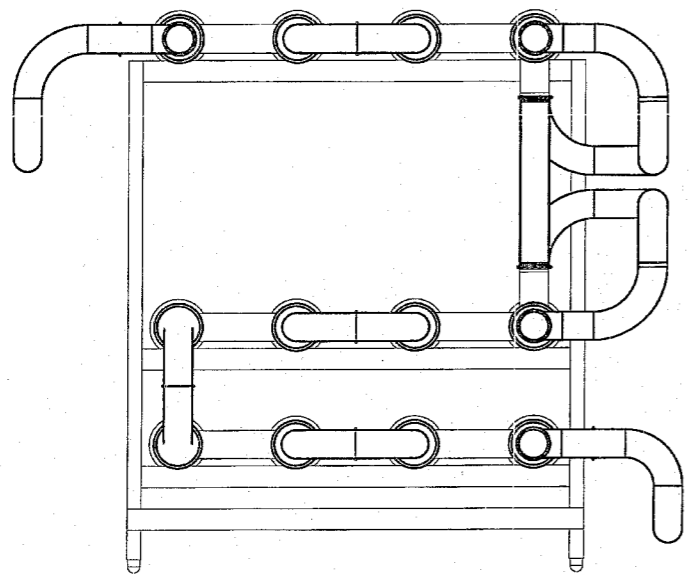
Approved: _____ Date: _____
 Design: _____ Date: _____
 Checked: P.T. Date: 5/71
 Drawn: RAM Date: 10/79

Scale: 1"=1' Sheet: 1 of 1 W.O. No. 31884 Dept. PACKAGE SYS.
 Date: 0200901 Dwg. No. 31884 D 0200

A	RAM	06/3/85	-	STRUCTURE HEIGHT WAS 4'-1/4"	CHK'd	DATE	0200901	1	31884	D	0200	A
Rev	By	Date	Zone	Revision Description	CHK'd	DATE	CAD File	Sheet	Dwg. No.			

12 11 10 9 8 7 6 5 4 3 2 1

CUSTOMER CONNECTIONS	
SIZE	DESCRIPTION
△A 4" T/C	PRODUCT INLET 190°F
△B1 4" T/C	PRODUCT OUTLET 70°F
△C1 4" T/C	SERVICE INLET 40°F
△D1 4" T/C	SERVICE OUTLET 47.2°F
△E1 4" T/C	SERVICE INLET 70°F
△F1 4" T/C	SERVICE OUTLET 91.5°F



3
ADAPTER DETAIL
2 X SCALE
(TYP. X 12)

- NOTES:
 1. ALL PIPING AND COMPONENTS MUST BE SUPPORTED AS REQUIRED.
 2. ALL TEE FITTINGS IN SANITARY PIPING MUST BE MODIFIED PER DRAWING #PD2-7034.
 3. SANITARY PRODUCT PIPING TO BE STAINLESS STEEL TYPE 316L.
 4. SERVICE PIPING TO BE STAINLESS STEEL TYPE 304.
 5. GRIND AND POLISH ALL SANITARY AND SERVICE WELDMENTS ID/OD.
 6. PAINT ALL CARBON STEEL SURFACES AS PER APV PAINT SPEC. SP3001 (BLUE).
 7. FOR DESCRIPTION OF COMPONENTS SEE BILL OF MATERIALS DRAWING 31884M0400.

THE INFORMATION CONTAINED HEREON IS OF A CONFIDENTIAL NATURE AND IS THE PROPERTY OF APV CREPACO INC. TONAWANDA, NY, USA. IT SHALL NOT BE PHOTOCOPIED, REPRODUCED OR REPRODUCED IN ANY MANNER HIGH USED FOR ANY PURPOSE WITHOUT THE WRITTEN PERMISSION OF APV CREPACO INC.

		Heat Transfer Technologies APV Crepaco Inc. 395 Fillmore Avenue Tonawanda, NY 14150 (716) 892-3000	
Auto. Check:	Date:	Title:	
Approved:	Date:	TRIPLE TUBE GRAY COOLER INTERCONNECTING PIPING	
Design:	Date:	Customer:	
Checked:	Date:	Customer:	
Drawn:	Date:	Customer:	
Rev	By	Date	Zone
A	RAM	5/22	
Scale: 1" = 1'-0"		Sheet: 1 of 1	W.O. No. 31884
CAD File: d0400s01		Draw. No. 31884 D 0400	Rev. A

Rev	By	Date	Zone	Description	CHK'd	Date
A	RAM	5/22		11. 1 QTY WAS 4, 11. 2 QTY WAS 10, 11. 6 QTY WAS 11, 7 QTY WAS 22, 11. 8 QTY WAS 22, 11. 10 QTY WAS 22, & ADD IT 12		