

DRAWING NOTES

1. All field piping to be by others in accordance with ASHREA recommendations and local codes.
2. All field piping shown as -----

ITEM	PART NO.	DESCRIPTION	QTY
B1	07-BITTERLY VALVE	SHUT OFF VALVE	1
L1	2-AMPC	FILTER/DRYER	4
U4.1	5A-21004	ACCESS VALVE	4
L2	HE40200	SAFETY VALVE, REFRIGERANT	4
L3	5A-195	WATER INDICATOR	4
L4	08-65-CP100 (200P)	TX VALVE	4
M1	620-400-206211	COMPRESSOR	4
PC	0804052	HEAD PRESSURE CONTROL HORIZONTAL	4
PC1	0804-20	PRESSURE DIFFERENTIAL VALVE	8
PC2	08-1045-0225	INLET PRESSURE REGULATING VALVE	8
PD	LWA 24410	CONDENSER, AIR COOLED	2
RE1	SIZE TO SIBT	RECEIVER/DRYER VALVE (BY OTHERS)	4
RA	RF-12084	RECEIVER, HORIZONTAL	4
RA.1	2.1/8"OS	ISOLATING VALVE	4
RA.2	3/8"OS	ISOLATING VALVE	4
RA.3	1.3/8"OS	ISOLATING VALVE	4
RS	T20141141T	EVAPORATOR	1
CA	E BUTTERFLY VALVE	CONTROL VALVE	1
DPH	PH-804 with sensor	COMPRESSOR PROTECTIVE MODULE	4
FS	FS10011	FLOW SWITCH	4
OSL	PH106-12	DIFFERENTIAL PRESSURE SWITCH, OIL	4
TR.2	213.53	PRESSURE GAUGE, 60 PSIG	2
PSB.1	SP1 60-3030	PRESSURE SWITCH, HIGH	4
PSL.1	SP1 60-3030	PRESSURE SWITCH, LOW	4
PSB.2	SP1 60-2044	PRESSURE SWITCH, FAN COILING	4
PSL.2	SP1 60-2051	PRESSURE SWITCH, PUMP OUT	4
TE 1.2	TE102-4001-50-0200A	SENSOR	2
TC 1	5202940	TEMPERATURE MONITORING CONTROLLER	1
U4.1	5A-210	PUMP	4
U4.3	1.5" BALL VALVE	SHUT OFF VALVE	4
U4.4	7/8" BALL VALVE	SHUT OFF VALVE	8
U4.5	5A-213	SHUT GLASS	4
U4.6	5A-21004	ACCESS VALVE	8
U7	AA4E	PRESSURE REGULATING VALVE	4

DESIGN NOTES

1. Construction of unit is to CSA B52. All pressure vessel comply with CSA B51.
2. High side Design Working Pressure is 350 psig for water cooled systems and 400 psig for air cooled systems.
3. Low side Design Working Pressure is 150 psig.
4. Design Working Temperature is 0 to 200 F.
5. Test pressure is 150 psig using nitrogen.
6. Refrigerant is limited to Group A1 type.
7. Safety relief valve to be located on top of the condenser and set for 350 psig for water cooled systems and at the top of the receiver and set for 400 psig for air cooled systems.

TABLES TO BE READ IN CONNECTION WITH THIS DRAWING:

TABLE NUMBER	TABLE DESCRIPTION
1	WIRING DIAGRAM
2	WIRING DIAGRAM
3	WIRING DIAGRAM
4	WIRING DIAGRAM
5	WIRING DIAGRAM
6	WIRING DIAGRAM
7	WIRING DIAGRAM
8	WIRING DIAGRAM
9	WIRING DIAGRAM
10	WIRING DIAGRAM
11	WIRING DIAGRAM
12	WIRING DIAGRAM
13	WIRING DIAGRAM
14	WIRING DIAGRAM
15	WIRING DIAGRAM
16	WIRING DIAGRAM
17	WIRING DIAGRAM
18	WIRING DIAGRAM
19	WIRING DIAGRAM
20	WIRING DIAGRAM
21	WIRING DIAGRAM
22	WIRING DIAGRAM
23	WIRING DIAGRAM
24	WIRING DIAGRAM
25	WIRING DIAGRAM
26	WIRING DIAGRAM
27	WIRING DIAGRAM
28	WIRING DIAGRAM
29	WIRING DIAGRAM
30	WIRING DIAGRAM
31	WIRING DIAGRAM
32	WIRING DIAGRAM
33	WIRING DIAGRAM
34	WIRING DIAGRAM
35	WIRING DIAGRAM
36	WIRING DIAGRAM
37	WIRING DIAGRAM
38	WIRING DIAGRAM
39	WIRING DIAGRAM
40	WIRING DIAGRAM
41	WIRING DIAGRAM
42	WIRING DIAGRAM
43	WIRING DIAGRAM
44	WIRING DIAGRAM
45	WIRING DIAGRAM
46	WIRING DIAGRAM
47	WIRING DIAGRAM
48	WIRING DIAGRAM
49	WIRING DIAGRAM
50	WIRING DIAGRAM

BERG

DRAWN BY: BH DATE: MAR 5/00 DESIGNED BY: DATE: SCALE: INT.S.
 MODEL NO.: ASR-160-4/1 CUSTOMER REF.:
 DESCRIPTION: PSI DIAGRAM
 DWG. NO.: W00451 A - P
 SHEET: 1 OF 1 REVISION: 0
 A714A

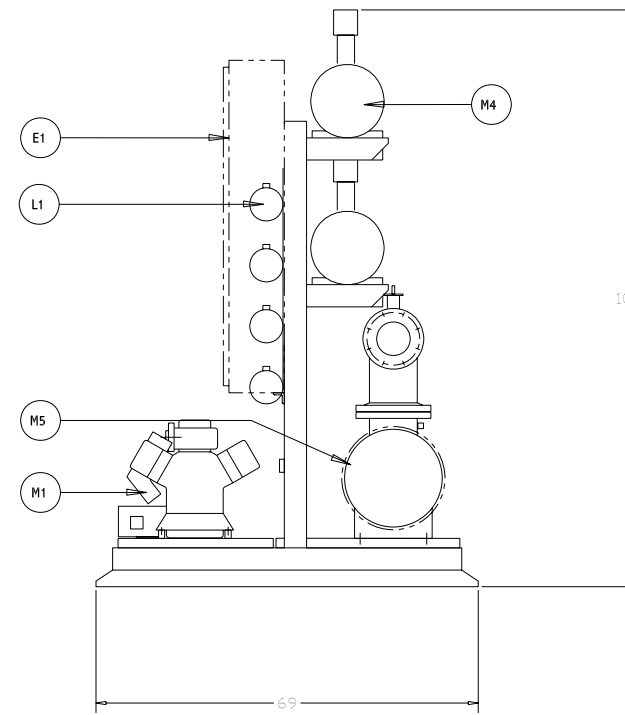
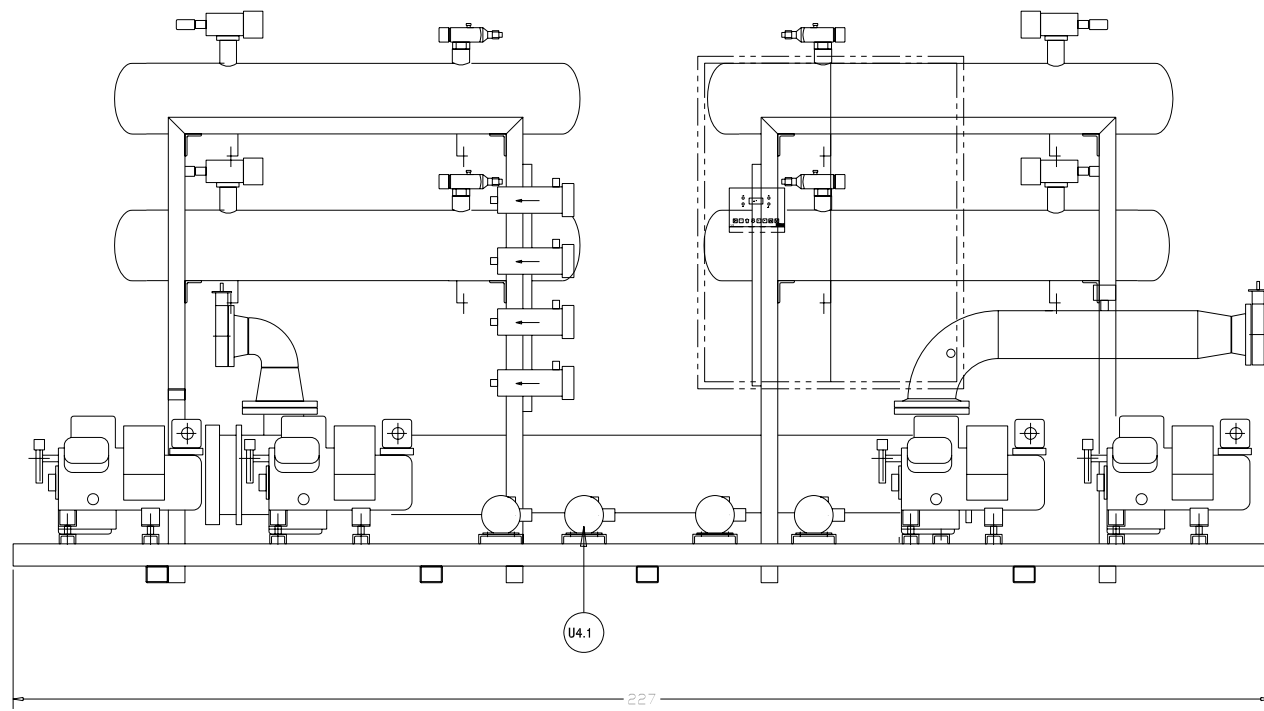
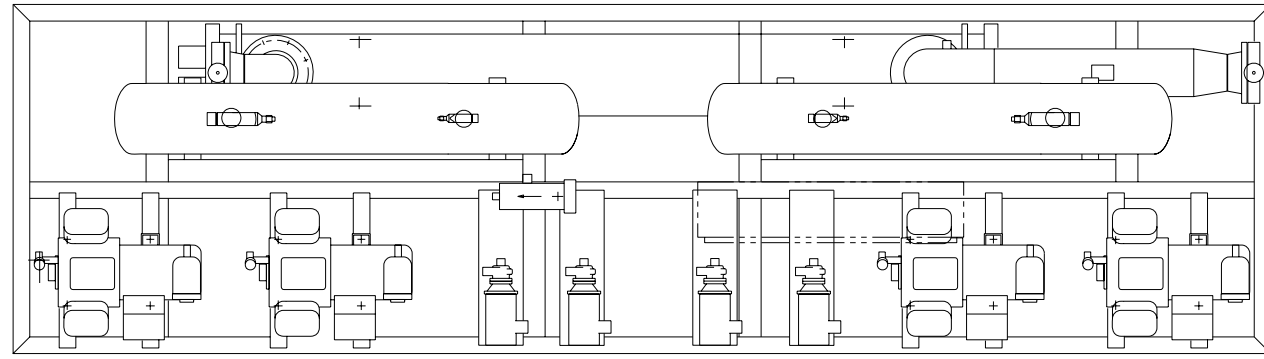
REV.	BY:	DESCRIPTION	DATE
1	BH	Value was corrected	03/05/00

NOTE:

1. ALL DIMENSIONS ARE APPROXIMATE
2. SHIPPING WEIGHT IS 8100 LBS.
3. COOLING CAPACITY IS TR 132
@ 60 °F WATER IN AND 50 °F WATER OUT
@ 95 °F AMBIENT TEMPERATURE (120 °F CONDENSING)
4. MAX. REFRIGERANT CHARGE IS LBS./CIRC. 356

DESIGN NOTES

1. Construction of unit is to CSA B52. All pressure vessel comply with CSA B51.
2. High side Design Working Pressure is 350 psig for water cooled systems and 400 psig for air cooled systems.
3. Low side Design Working Pressure is 150 psig.
4. Design Working Temperature is 0 to 200 F
5. Test pressure is 150 psig using nitrogen.
6. Refrigerant is limited to Group A1 type.
7. Safety relief valve to be located on top of the condenser and set for 350 psig for water cooled systems and at the top of the receiver and set for 400 psig for air cooled systems.



ITEM	PART. NO.	DESCRIPTION	QTY
U4.1	860IND	LPA PUMP	4
O4	6" BUTTERFLY VALVE	OUTLET FLOW CONTROL VALVE	1
M5	TXB1411A41T	EVAPORATOR	1
M4	RF12842113	RECEIVER	2
M1	COP-6D-40HP	COMPRESSOR	2
L1	C-1449-G	FILTER DRYER	2
IO	6" BUTTERFLY VALVE	INLET SHUT-OFF VALVE	1
E1	N12DD604810	ELECTRICAL PANEL	1

BERG

DRAWN BY: BWI	DATE: 03/29/00	CHK'D BY: *	DATE: *	SCALE: N.T.S.
MODEL NO. ASR-160-4/1		CUSTOMER REF.		
DESCRIPTION		DWG. NO.: W00451AA		
General Assembly		SHEET: 1 OF: 1 REVISION: 0		

REV.	BY:	DESCRIPTION	DATE
1	BWI	As built	11/05/00