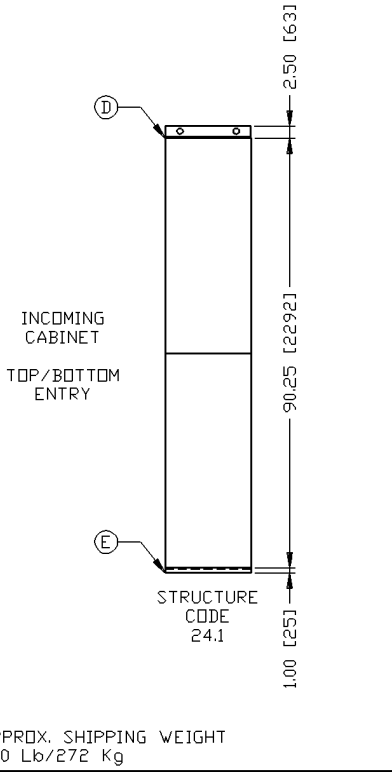


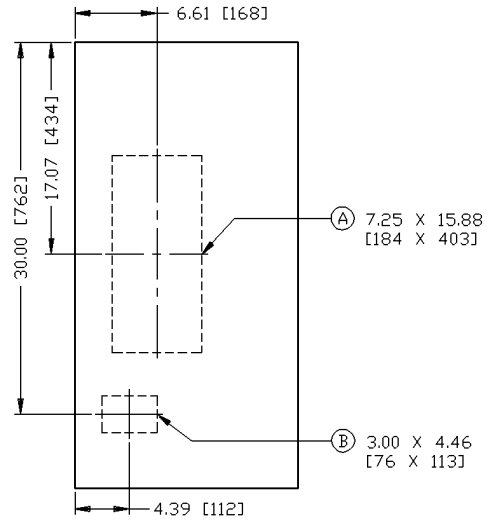


**STRUCTURE DETAILS**



APPROX. SHIPPING WEIGHT  
600 Lb/272 Kg

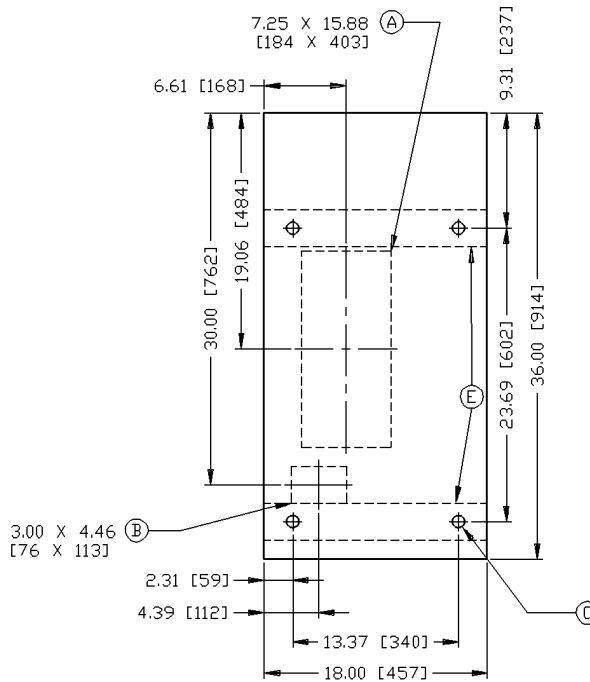
**ROOF PLAN OF SECTIONS LABELED "AA"**



FRONT

- (A) LINE CABLE CONDUIT OPENING.
- (B) CONTROL WIRE CONDUIT OPENING.
- (C) MOUNTING HOLES FOR 1/2" DIA. ANCHOR BOLTS.
- (D) REMOVABLE LIFTING ANGLES (2)
- (E) 1"x3" NON-REMOVABLE SILL CHANNELS.

**FLOOR PLAN OF SECTIONS LABELED "AA"**



FRONT

[ ]=MM DIMENSIONS

THIS DRAWING IS THE PROPERTY OF ALLEN-BRADLEY AND MAY NOT BE COPIED, USED OR DISCLOSED FOR ANY PURPOSE EXCEPT AS AUTHORIZED IN WRITING BY ALLEN-BRADLEY



**Allen-Bradley**  
Medium Voltage Business

CUSTOMER

TROPICANA PRODUCTS

CERTIFIED

ezENG

DATE

950630

LTR

REVISION

INT

SHEET

2

OF

9

A

SC Program Released

950621

UFD

B

TO REV CABLE EXIT SHT 6 & 7 AND

MTR STR DATA SHT 9 950630

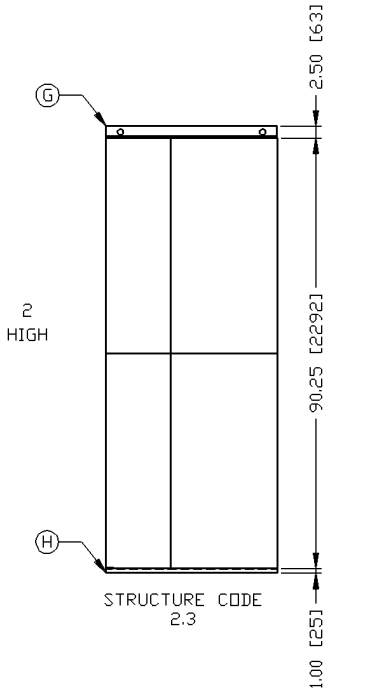
JH



DWG. NO.

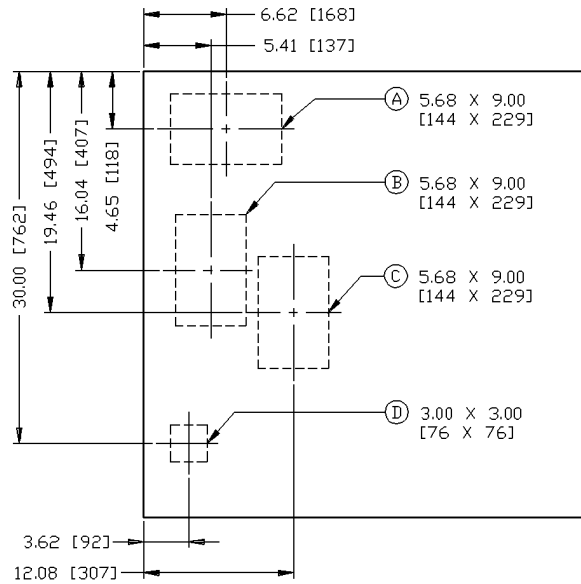
7000092-001-95D

**STRUCTURE DETAILS**



APPROX. SHIPPING WEIGHT  
1770 Lb/802 Kg

**ROOF PLAN OF SECTIONS LABELED "BB"**

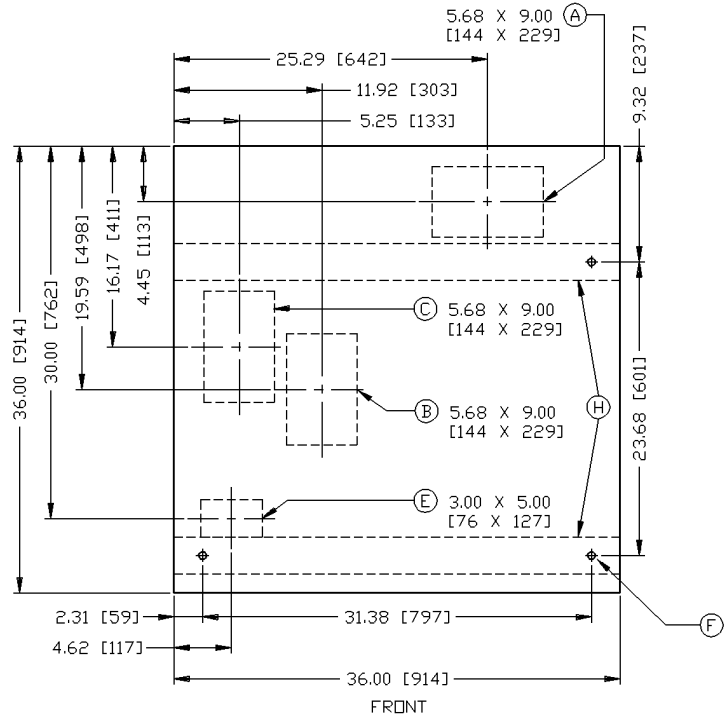


FRONT

- (A) LINE CABLE CONDUIT OPENING.
- (B) LOAD CABLE CONDUIT LOCATION FROM BOTTOM COMPARTMENT.
- (C) LOAD CABLE CONDUIT LOCATION FROM TOP COMPARTMENT.
- (D) CONTROL WIRE CONDUIT OPENING 3' SQ. IN CABINET, 3.6' SQ. THRU HORIZONTAL BARRIERS BETWEEN COMPARTMENTS.
- (E) CONTROL WIRE CONDUIT OPENING.
- (F) MOUNTING HOLES FOR 1/2" DIA. ANCHOR BOLTS.
- (G) REMOVABLE LIFTING ANGLES (2)
- (H) 1'x3' NON-REMOVABLE SILL CHANNELS.

[ ]=MM DIMENSIONS

**FLOOR PLAN OF SECTIONS LABELED "BB"**



FRONT

THIS DRAWING IS THE PROPERTY OF ALLEN-BRADLEY AND MAY NOT BE COPIED, USED OR DISCLOSED FOR ANY PURPOSE EXCEPT AS AUTHORIZED IN WRITING BY ALLEN-BRADLEY



**Allen-Bradley**  
Medium Voltage Business

CUSTOMER

TROPICANA PRODUCTS

CERTIFIED

ezENG

DATE

950630

SHEET

3

OF

9

LTR

REVISION

INT

A

SC Program Released  
950621

UFD

B

TO REV CABLE EXIT SHT 6 & 7 AND  
MTR STR DATA SHT 9 950630

JH



DWG. NO.

7000092-001-95D

**GENERAL INFORMATION**

POWER SUPPLY 4200 V 3 Ø 60 Hz

CONTROL SUPPLY 120 V

INCOMING CABLE 500 MCM 4 lugs per phase

INCOMING PROVISION From Top of section 1

COPPER HORIZONTAL BUS 1200 Amp, Tin Plated 60 KA Sym. Bracing

COPPER GROUND BUS 1/4 X 2 Inch [6.4 x 51 mm]

ENCLOSURE NEMA/EEMAC Type 1 General Purpose

EXTERIOR PAINT Standard ANSI 49

COMMENTS

THIS DRAWING IS THE PROPERTY OF ALLEN-BRADLEY AND MAY NOT BE COPIED, USED OR DISCLOSED FOR ANY PURPOSE EXCEPT AS AUTHORIZED IN WRITING BY ALLEN-BRADLEY



**Allen-Bradley**  
Medium Voltage Business

CUSTOMER TROPICANA PRODUCTS

CERTIFIED ezENG	DATE 950630
--------------------	----------------

LTR	REVISION	INT
A	SC Program Released 950621	UFD
B	TO REV CABLE EXIT SHT 6 & 7 AND MTR STR DATA SHT 9 950630	JH

SHEET 4	OF 9
---------	------



DWG. NO.  
7000092-001-95D

**UNIT DETAILS**

**DESCRIPTION**

Incoming Line Unit

**ELEMENTARY DIAGRAM NUMBER**

**UNIT LOCATIONS => CATALOG NUMBER**

1A =>  
1591AT-AAE-82D500

**OPTIONS**

THIS DRAWING IS THE PROPERTY OF ALLEN-BRADLEY AND MAY NOT BE COPIED, USED OR DISCLOSED FOR ANY PURPOSE EXCEPT AS AUTHORIZED IN WRITING BY ALLEN-BRADLEY



**Allen-Bradley**  
Medium Voltage Business

CUSTOMER \_\_\_\_\_ TROPICANA PRODUCTS \_\_\_\_\_

CERTIFIED ezENG		DATE 950630	
SHEET 5		OF 9	
		DWG. NO. 7000092-001-95D	

LTR	REVISION	INT
A	SC Program Released 950621	UFD
B	TO REV CABLE EXIT SHT 6 & 7 AND MTR STR DATA SHT 9 950630	JH

**UNIT DETAILS**

**DESCRIPTION**

Two-High, Full-Voltage Non-Reversing Starter

**ELEMENTARY DIAGRAM NUMBER**

7000092-001-95E

**UNIT LOCATIONS => CATALOG NUMBER**

2A, 2B =>

1512B-AAE-5R-6D-7F-65-80B-82A250-86B-89P4-802-1102-5021C

3B =>

1512B-AAE-5R-6D-7F-68-80B-82A250-86B-89P4-802-1102-5021C

**OPTIONS**


- 5R Red ON Push-To-Test Pilot Light (Transformer Type).
- 6D 2000 VA control power transformer with primary and secondary fusing.
- 7F Bulletin 592 overload relay (including heater elements); manual reset.
- 80B Load cables exiting through the bottom of the structure.
- 86B Switchboard Type, analog AC Ammeter and four position switch
- 89P4 Bulletin 700P, 4 pole relay
- 802 Ten (10) extra unwired terminal blocks in the low voltage compartment.
- 1102 Bulletin 1409 Ground Fault Relay, c/w Zero Sequence CT
- 5021C Motor space heater circuit (701-1400 watts) with 120 volt supply
- " from the CPT.

THIS DRAWING IS THE PROPERTY OF ALLEN-BRADLEY AND MAY NOT BE COPIED, USED OR DISCLOSED FOR ANY PURPOSE EXCEPT AS AUTHORIZED IN WRITING BY ALLEN-BRADLEY



**Allen-Bradley**  
Medium Voltage Business

CUSTOMER \_\_\_\_\_ TROPICANA PRODUCTS \_\_\_\_\_

CERTIFIED		DATE	
ezENG		950630	
SHEET	6	OF	9
		DWG. NO. 7000092-001-95D	

LTR	REVISION	INT
A	SC Program Released 950621	UFD
B	TO REV CABLE EXIT SHT 6 & 7 AND MTR STR DATA SHT 9 950630	JH

**UNIT DETAILS**

**DESCRIPTION**

Two-High Vacuum, Starter Prepared Space Unit

**ELEMENTARY DIAGRAM NUMBER**

7000092-002-95E

**UNIT LOCATIONS => CATALOG NUMBER**

3A =>

1512BP-AAE-80B

**OPTIONS**

80B Load cables exiting through the bottom of the structure.

THIS DRAWING IS THE PROPERTY OF ALLEN-BRADLEY AND MAY NOT BE COPIED, USED OR DISCLOSED FOR ANY PURPOSE EXCEPT AS AUTHORIZED IN WRITING BY ALLEN-BRADLEY



**Allen-Bradley**  
Medium Voltage Business

CUSTOMER TROPICANA PRODUCTS

CERTIFIED		DATE	
ezENG		950630	
SHEET	7	OF	9
	DWG. NO.		
	7000092-001-95D		

LTR	REVISION	INT
A	SC Program Released 950621	UFD
B	TO REV CABLE EXIT SHT 6 & 7 AND MTR STR DATA SHT 9 950630	JH

# NAMEPLATE ENGRAVING LIST

## MASTER NAMEPLATE

(IF SPECIFIED)  
 .50" HIGH LETTERING  
 14 LETTERS / LINE  
 3 LINES MAXIMUM  
 2.00" X 6.00" [51mm X 152mm]


## UNIT NAMEPLATES

.187" HIGH LETTERING  
 22 LETTERS MAX. LINES 1,3  
 20 LETTERS MAX. LINES 2  
 1.125" X 3.625 [29mm X 92mm]

White with Black lettering

1A	

2A	

2B	

3A	

3B	


















THIS DRAWING IS THE PROPERTY OF ALLEN-BRADLEY AND MAY NOT BE COPIED, USED OR DISCLOSED FOR ANY PURPOSE EXCEPT AS AUTHORIZED IN WRITING BY ALLEN-BRADLEY



CUSTOMER TROPICANA PRODUCTS

LTR	REVISION	INT
A	SC Program Released 950621	UFD
B	TO REV CABLE EXIT SHT 6 & 7 AND MTR STR DATA SHT 9 950630	JH

CERTIFIED	DATE
ezENG	950630
SHEET 8 OF 9	DWG. NO.
	7000092-001-95D



**MOTOR/STARTER DATA**

[X] May include assumed data.

UNIT LOCATION	1A	[X] 2A	[X] 2B	3A	[X] 3B				
BULLETIN NUMBER	1591AT	1512B	1512B	1512BP	1512B				
HORSEPOWER / KVA / KVAR		700 HP	800 HP		250 HP				
FULL LOAD CURRENT (AMPS)		86.4	100.0		154.0				
SERVICE FACTOR		1.15	1.15		1.15				
LOCKED ROTOR CURRENT (AMPS)		579	600		924				
ACCEL. TIME OF LOAD IN SECONDS		2.6	10		10				
MAX. LOCKED ROTOR TIME (SEC) <small>HOT</small> <small>COLD</small>		10 12	20		20				
TYPE OF STARTER	Inc	Vac	Vac	Vac	Vac				
LOAD CABLE EXIT DIRECTION		Btm	Btm	Btm	Btm				
LOAD CABLE SIZE AND QUANTITY PER PHASE		250 MCM 1	250 MCM 1		250 MCM 1				
OVERLOAD ELEMENTS		J14	W40		W37				
CURRENT TRANSFORMER RATIO		150/5	150/5		300/5				
POWER FUSE RATING		9R/C	9R/C		12R/C				
MAXIMUM CONTINUOUS CURRENT ALLOWED BY FUSES (AMPS)		140A	140A		190A				
POWER CELL RATING (AMPS)	1200	180	180	260	180				
POWER FACTOR									
FIELD CURRENT (AMPS DC)									
FIELD VOLTAGE (VOLTS DC)									
INDUCED CURRENT AT 0 SPEED (AMPS DC)									
INDUCED CURRENT AT 95% SPEED (AMPS DC)									
FIELD DISCHARGE RESISTOR (Ohms)									

THIS DRAWING IS THE PROPERTY OF ALLEN-BRADLEY AND MAY NOT BE COPIED, USED OR DISCLOSED FOR ANY PURPOSE EXCEPT AS AUTHORIZED IN WRITING BY ALLEN-BRADLEY



**Allen-Bradley**  
Medium Voltage Business

CUSTOMER TROPICANA PRODUCTS

CERTIFIED	DATE
ezENG	950630

LTR	REVISION	INT
A	SC Program Released 950621	UFD
B	TO REV CABLE EXIT SHT 6 & 7 AND MTR STR DATA SHT 9 950630	JH

SHEET	9	OF	9
-------	---	----	---



DWG. NO.  
**7000092-001-95D**