

## Evapco Condenser-950 Ton

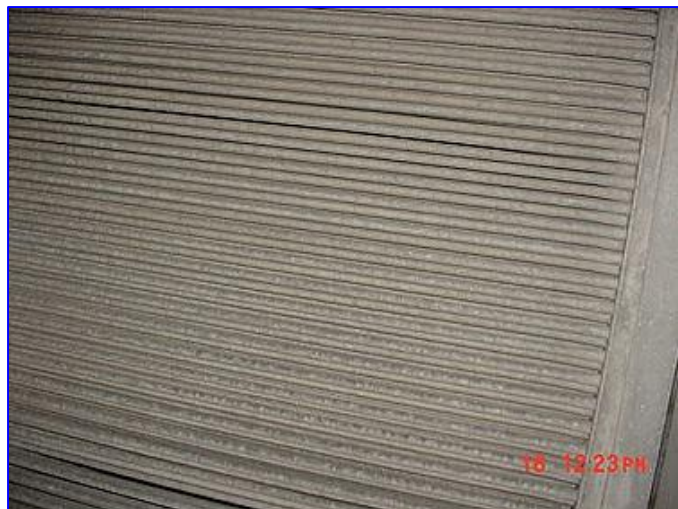
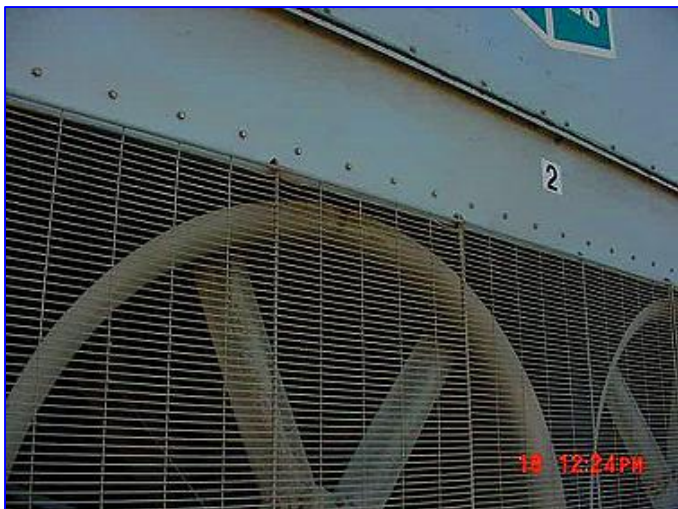
Mfg: Evapco

Model: PMCB-950

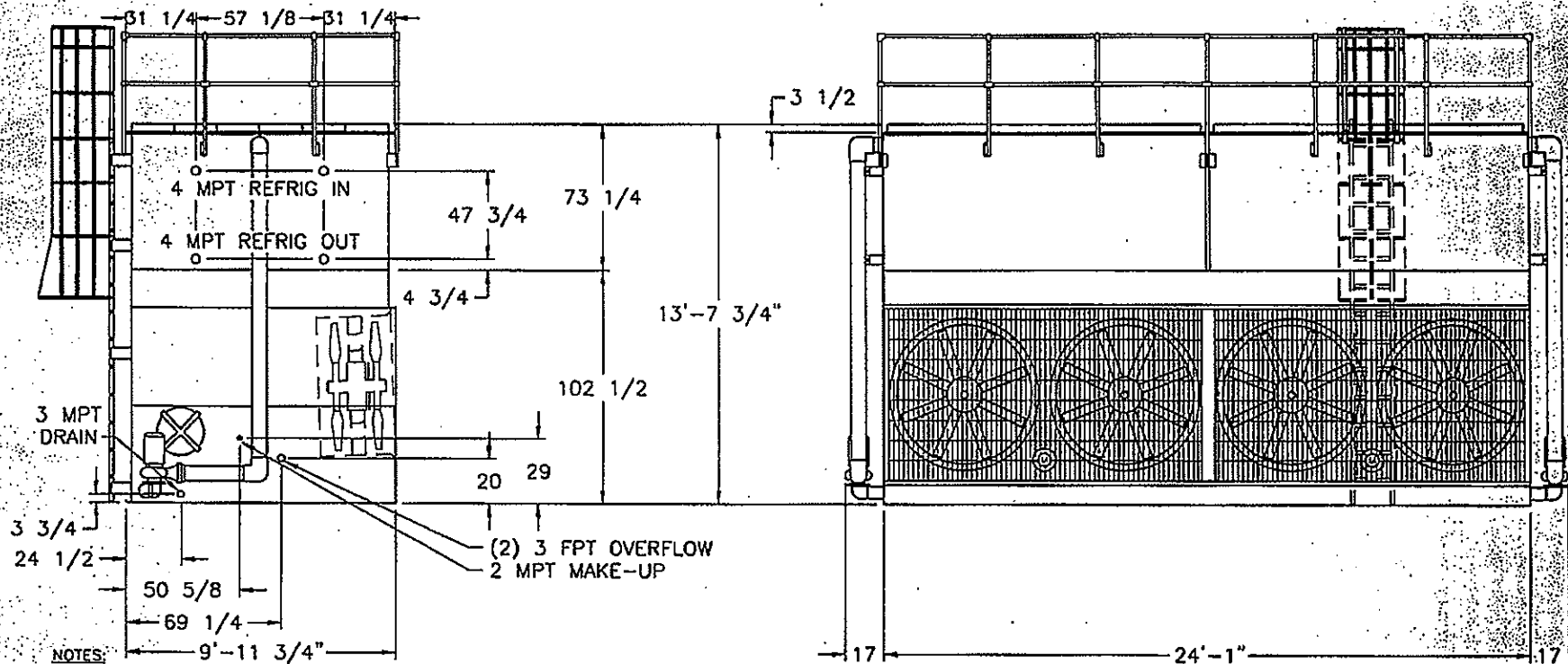
Stock No. DTTC846.

Serial No. 964569M

Evapco Condenser-950 Ton. Model PMCB-950. S/N 964569M. 4 fans w/ 2 motors.







NOTES:

1. (M) - FAN MOTOR LOCATION
2. MAKE-UP WATER PRESSURE 20psi MIN. 50psi MAX.
3. 3/4" DIA. MOUNTING HOLES. REFER TO RECOMMENDED STEEL SUPPORT DRAWING
4. HEAVIEST SECTION IS COIL SECTION
5. ALL NIPPLE LOCATIONS ARE APPROXIMATE DIMENSIONS. DO NOT USE FOR PRE-FABRICATION OF CONNECTING PIPING.
6. MAKE-UP AND DRAIN ARE ONLY ON END SHOWN.
7. MPT DENOTES MALE PIPE THREAD.
8. FPT DENOTES FEMALE PIPE THREAD.

*N. American Ref  
located in Bradenton, FL*

WEIGHTS			NO. SHIPPING SECTIONS
SHIPPING	OPER.	HEAVIEST SECTION	
39080	51700	15150	3

MODEL NUMBER PMCB-950 CONDENSER

CERTIFIED FOR NORTH AMERICAN REFRIGERATION PROJECT: TROPICANA PRODUCTS TAG \_\_\_\_\_

CUSTOMER ORDER NO. 064035-3 EVAPCO NO. 964568/69M

CAPACITY 665 T.R. R-717 REFRIG. 96.3 °COND +20 °SUCTION 78 °W.B.

FAN MOTOR (2) 20 HP H.P. ELEC. SPEC. 460/60/3

PUMP MOTOR (2) 5 HP H.P. ELEC. SPEC. 460/60/3

REMARKS UNIT TO BE FURNISHED WITH ALUMINUM LADDER WITH SAFETY CAGE, ALUMINUM PERIMETER HAND RAILS, GALVANIZED VERTICAL SUPPORTS, GALVANIZED STEEL ELIMINATORS.



**EVAPORATIVE CONDENSER**  
12/9/96JR  
REV 11/22/96JR DATE 11/26/96JR

CP102412ERB-03