

Evapco Condenser-850 Ton

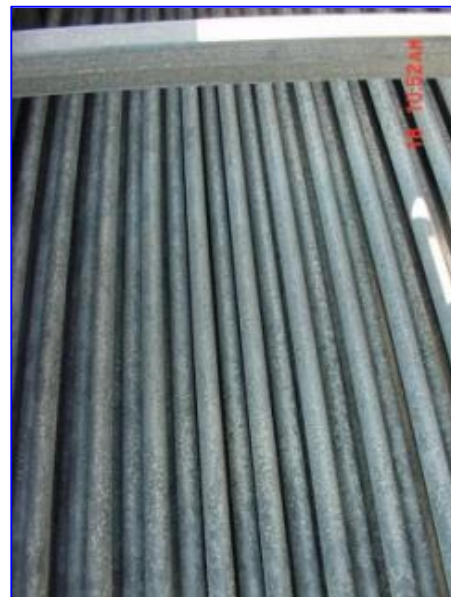
Mfg: Evapco

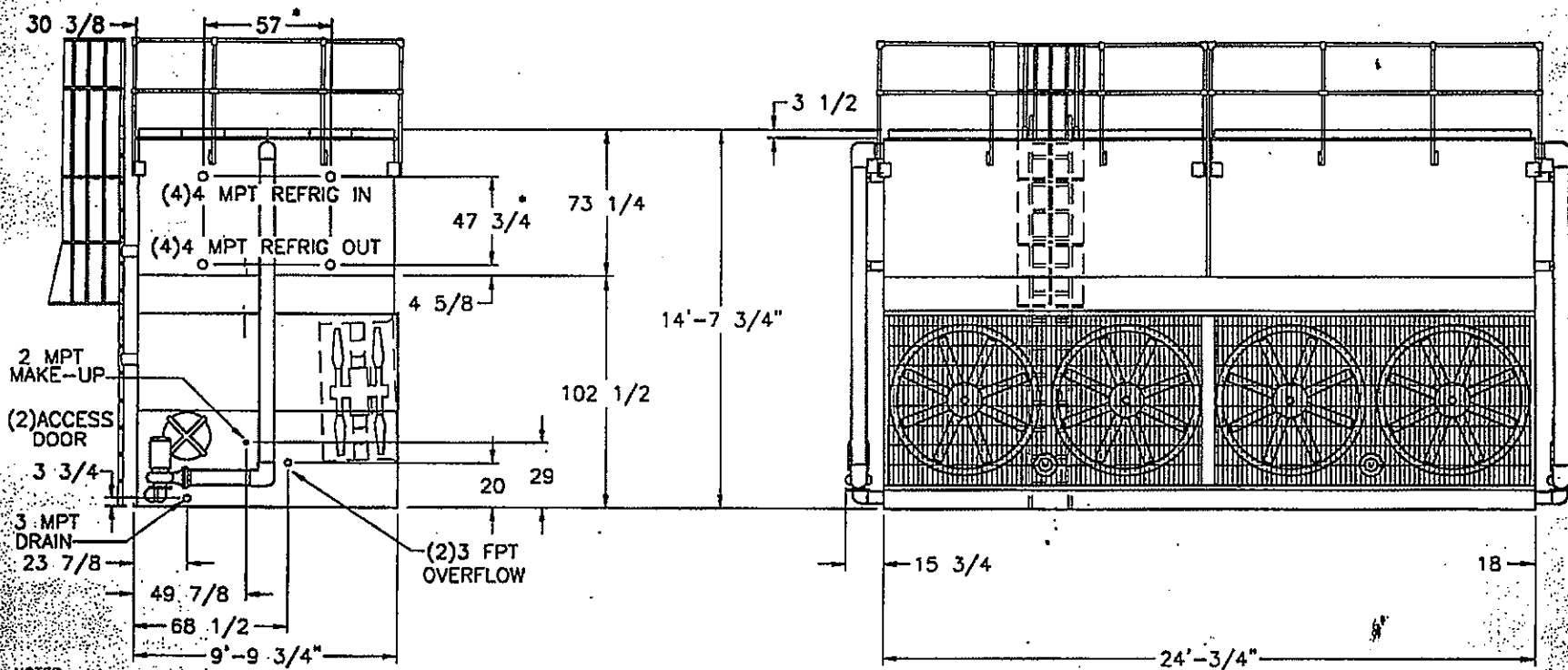
Model: PMCB-850

Stock No. DTTC859.

Serial No. 986235M-M

Evapco Condenser-850 Ton. Model PMCB-850. S/N 986235M-M. Cap. 472.9, pump 10 hp , hp per TR, 0.040 , water make-up 16.9 gpm, 4 fans w/2 motors.





NOTES:

- (M) - FAN MOTOR LOCATION
- MAKE-UP WATER PRESSURE 20psi MIN. 50psi MAX.
- $\frac{3}{4}$ " MOUNTING HOLES. REFER TO RECOMMENDED STEEL SUPPORT DRAWING
- HEAVIEST SECTION IS UPPER SECTION
- * APPROXIMATE DIMENSIONS. DO NOT USE FOR PRE-FABRICATION OF CONNECTING PIPING.
- MPT DENOTES MALE PIPE THREAD.
FPT DENOTES FEMALE PIPE THREAD.
BFW DENOTES BEVELED FOR WELDING.

*Stellar Group
located in Bradenton
FL*

WEIGHTS			NO. SHIPPING SECTIONS
SHIPPING	OPER.	HEAVIEST SECTION	
39080	51700	15150	3

MODEL NUMBER: (3) PMCB 850 EVAPORATIVE CONDENSERS

CERTIFIED FOR: THE STELLAR GROUP

PROJECT: TROPICANA PRODUCTS, INC.

CUSTOMER ORDER NO. 98138-01

EVAPCO NO. 986234/36M-3M

CAPACITY (EACH UNIT) 603 T.R. R-717

REFRIG. 96.3 ° COND 20 ° SUCT 78 ° W.B.

FAN MOTOR HP (EACH UNIT) (2) 15 HP

ELEC. SPEC. 460/60/3

PUMP MOTOR HP (EACH UNIT) (2) 5 HP

ELEC. SPEC. 460/60/3

REMARKS: EACH UNIT FURNISHED WITH (1) LADDERS WITH SAFETY CAGES AND HANDRAILS AND GALVANIZED ELIMINATORS. DRIVES SIZED FOR 0" ESP.



EVAPORATIVE
CONDENSER

SW 7/9/98

CPTM2412ERA-01