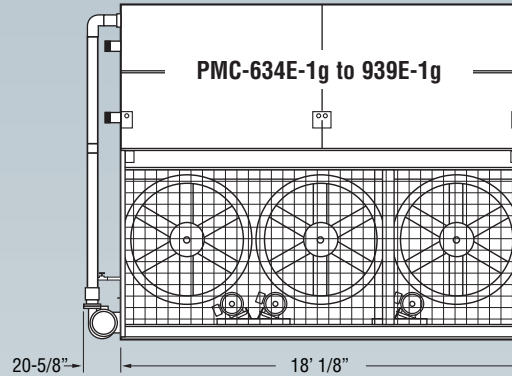
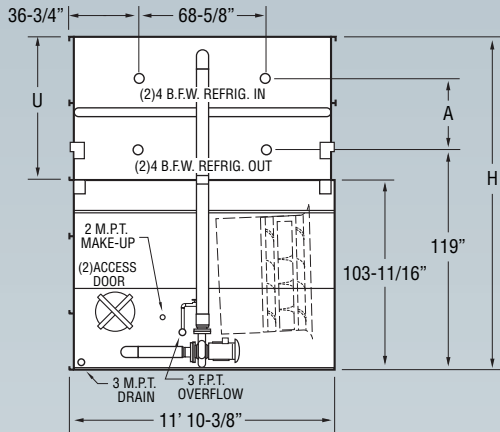




# Engineering & Dimensions Data

## PMC-634E-1g to 939E-1g



**Table 9 Engineering Data**

Model No.	R-717 Capacity Tons*	Fans		Weights (lbs)†			Refrigerant Operating Charge lbs.***	Coil Volume ft <sup>3</sup>	Spray Pump		Remote Sump			Dimensions (in.)		
		HP	CFM	Shipping	Heaviest Section†	Operating			HP	GPM	Gallons Req'd**	Conn. Size	Operating Weight	Height H	Upper U	Coil A
PMC-634E-1g	450	(3)7.5	118,400	22,920	14,920	30,250	450	62	7.5	1200	735	12	27,590	163-3/8	61	22-1/4
PMC-679E-1g	482	(3)10	126,300	22,970	14,920	30,300	450	62	7.5	1200	735	12	27,640	163-3/8	61	22-1/4
PMC-688E-1g	488	(3)7.5	116,700	26,490	18,490	33,970	595	81	7.5	1200	735	12	31,310	171-7/8	69-1/2	30-3/4
PMC-723E-1g	513	(3)7.5	115,200	29,930	21,930	37,550	740	101	7.5	1200	735	12	34,890	180-3/8	78	39-1/4
PMC-737E-1g	523	(3)10	124,500	26,540	18,490	34,020	595	81	7.5	1200	735	12	31,360	171-7/8	69-1/2	22-1/4
PMC-774E-1g	549	(3)10	122,600	29,980	21,930	37,600	740	101	7.5	1200	735	12	34,940	180-3/8	78	39-1/4
PMC-800E-1g	567	(3)15	143,000	26,930	18,490	34,410	595	81	7.5	1200	735	12	31,750	171-7/8	69-1/2	30-3/4
PMC-831E-1g	589	(3)20	147,600	27,120	18,490	34,600	595	81	7.5	1200	735	12	31,940	171-7/8	69-1/2	30-3/4
PMC-856E-1g	607	(3)15	141,200	30,370	21,930	37,990	740	101	7.5	1200	735	12	35,330	180-3/8	78	39-1/4
PMC-889E-1g	630	(3)15	138,800	33,580	25,140	41,350	885	121	7.5	1200	735	12	38,690	188-7/8	86-1/2	47-3/4
PMC-894E-1g	634	(3)20	149,900	30,560	21,930	38,180	740	101	7.5	1200	735	12	35,520	180-3/8	78	39-1/4
PMC-939E-1g	666	(3)20	147,700	33,770	25,140	41,540	885	121	7.5	1200	735	12	38,880	188-7/8	86-1/2	47-3/4

\* Tons at standard conditions: 96.3°F condensing, 20°F suction and 78°F W.B.

\*\* Gallons shown is water in suspension in unit and piping. Allow for additional water in bottom of remote sump to cover pump suction and strainer during operation. (12" would normally be sufficient.)

† Heaviest section is the upper coil section. **When 5.12 seismic design is required consult the factory for specific weights.**

\*\*\* Refrigerant charge is shown for R-717. Multiply by 1.93 for R-22 and 1.98 for R-134a.

Dimensions are subject to change. Do not use for pre-fabrication.