

## Mueller Refrigerated Silo Stainless Steel-30,000 Gallon

Mfg: Mueller

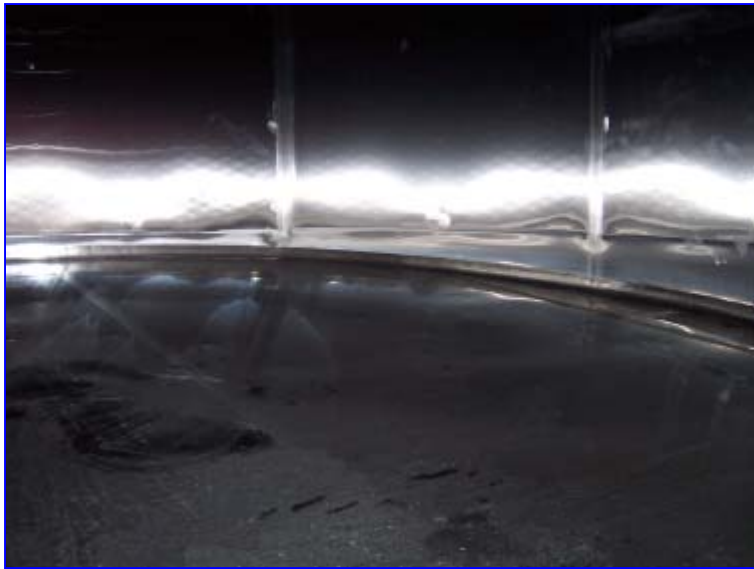
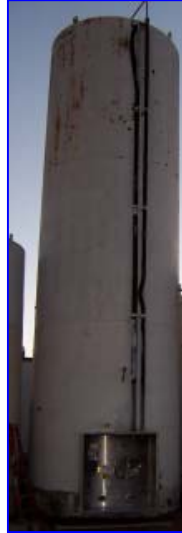
Model:

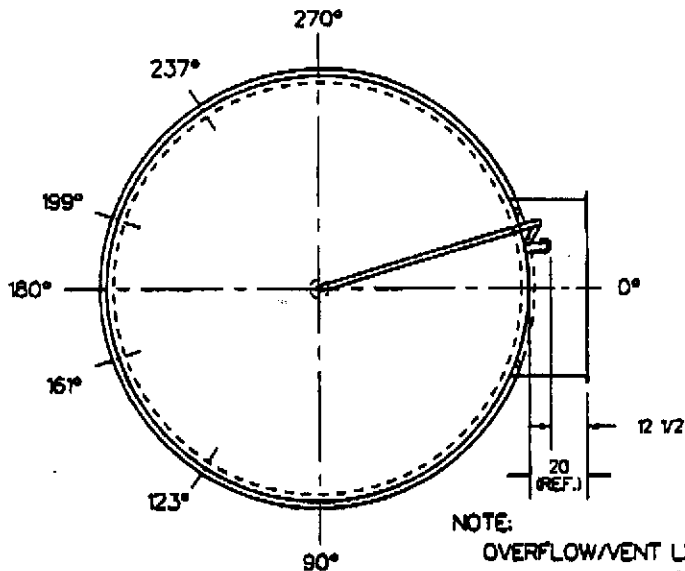
Stock No. HDPW352.160

Serial No. A-409 964

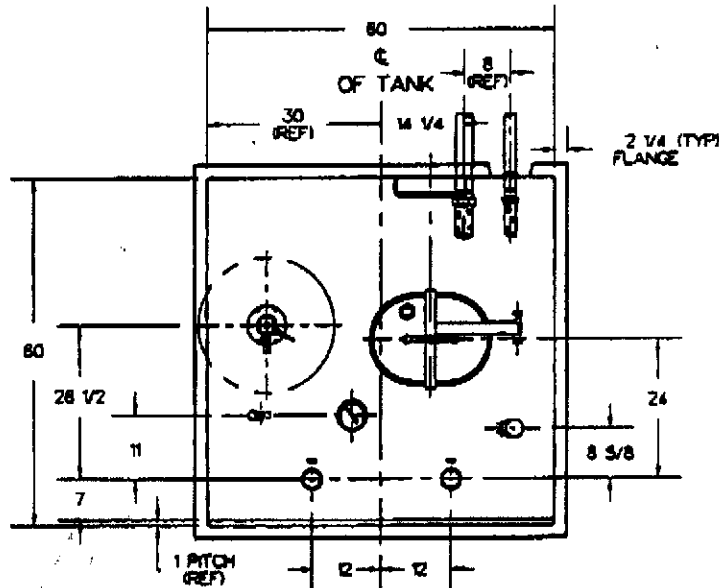
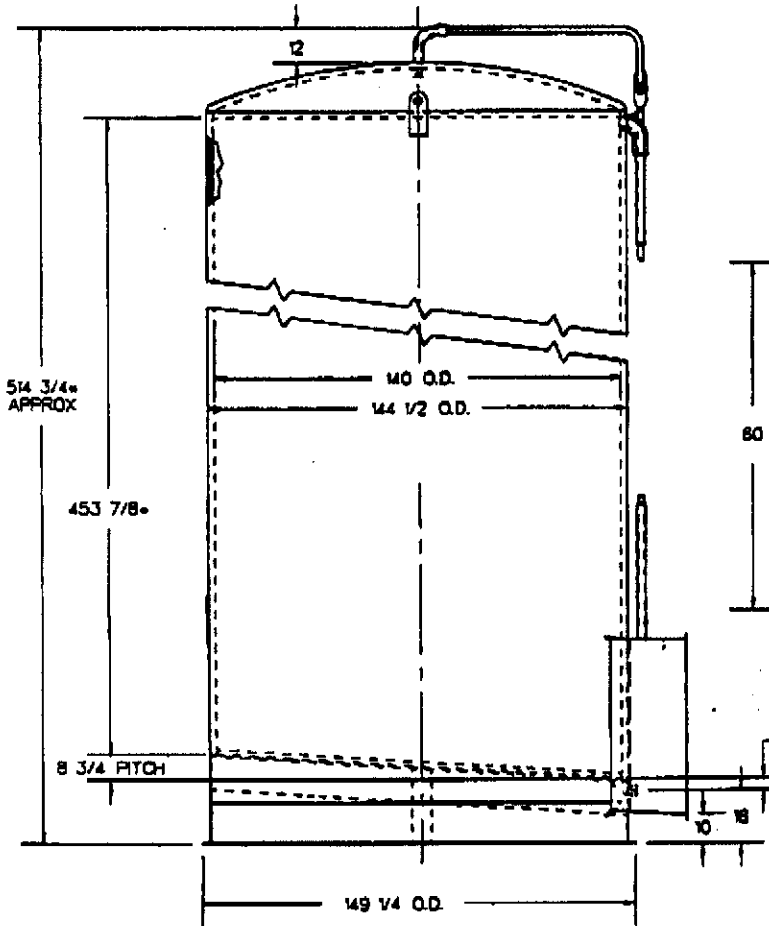
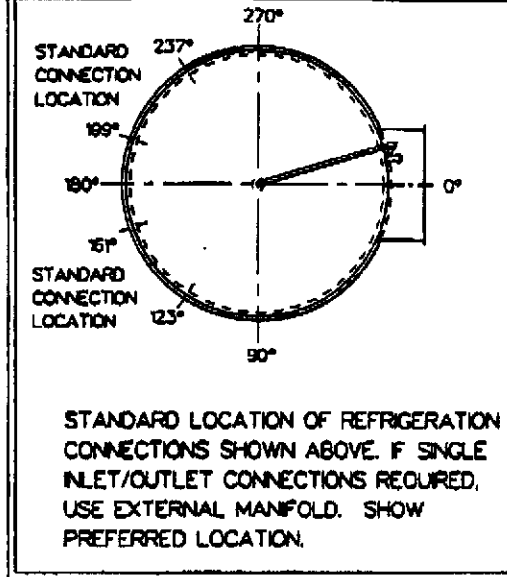
Mueller Refrigerated Silo Stainless Steel 30,000 Gallon.

- S/N A-409 964
- (2) Tri-Clover air valves,
- Horizontal agitator.





NOTE:  
OVERFLOW/VENT LINE  
& OF SUPPLY LINE  
ARE SHOWN WITH 1" THK  
INSULATION.



MODEL "SVW" SERIAL # A-40996-4  
 Post-It® Fax Note 7671 Date 2-11-05 # of pages 1  
 To CAMERON McMILLAN From KEITH COOK  
 Co./Dept GENEMCO Co. PAUL MUELLER CO  
 Phone # 979-268-7447 Phone # 800-545-5224  
 Fax # 979-268-0102 Fax # 417-575-9898

WORKING CAPACITY: 30,000 GAL.  
 EST. WEIGHT EMPTY: 22,000 LBS.  
 EST. GROSS WEIGHT: 280,000 LBS.

ALL MATERIALS OR COMPONENT PARTS CALLED OUT ON THIS DRAWING SHALL BE AS SPECIFIED OR APPROVED EQUAL.

This drawing and any part thereof is the property of the PALL MUELLER CO., Springfield, Mo., and is subject to return on request of the company. The information shown is confidential and the recipient by accepting the drawing agrees not to use any information contained therein in any manner which will be detrimental to the PALL MUELLER CO.

DRAWN BY DAWN GREEN	SALES ORDER N/A	PALL MUELLER COMPANY	
DATE 4-24-96	SCALE N.T.S.	P. O. BOX 102 / SPRINGFIELD, MISSOURI 65801-0102 USA	
REVIEWED BY		REVISION	
DATE			
TITLE VERTICAL 30,000 GAL SLO	DRAWING NO. GD02121A		