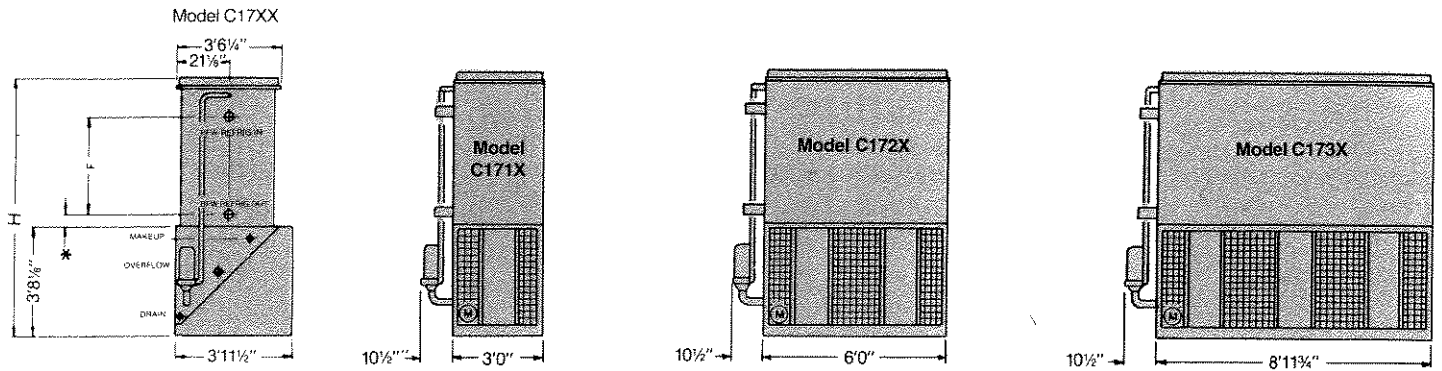


# Engineering Data

**Do not use for construction. Refer to factory certified dimensions.**

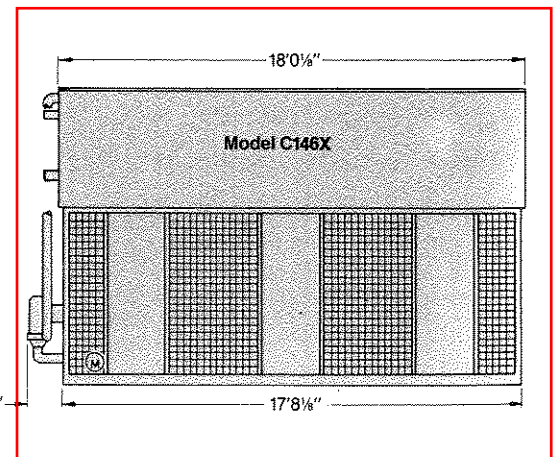
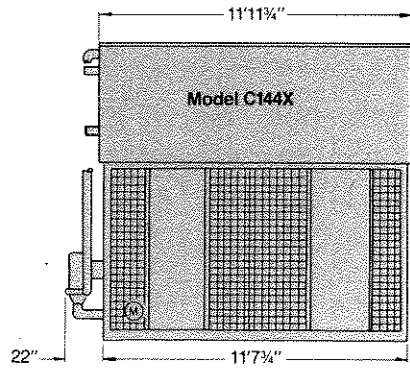
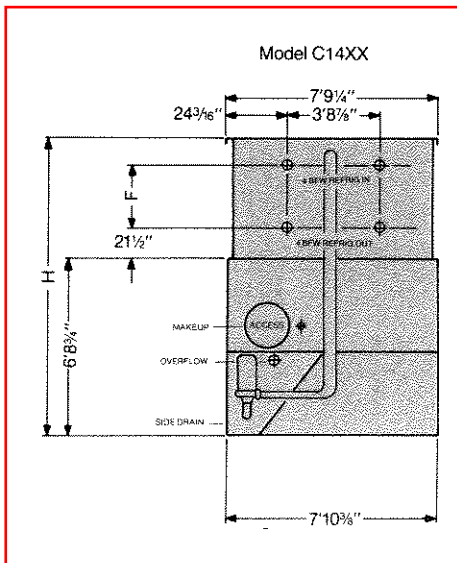
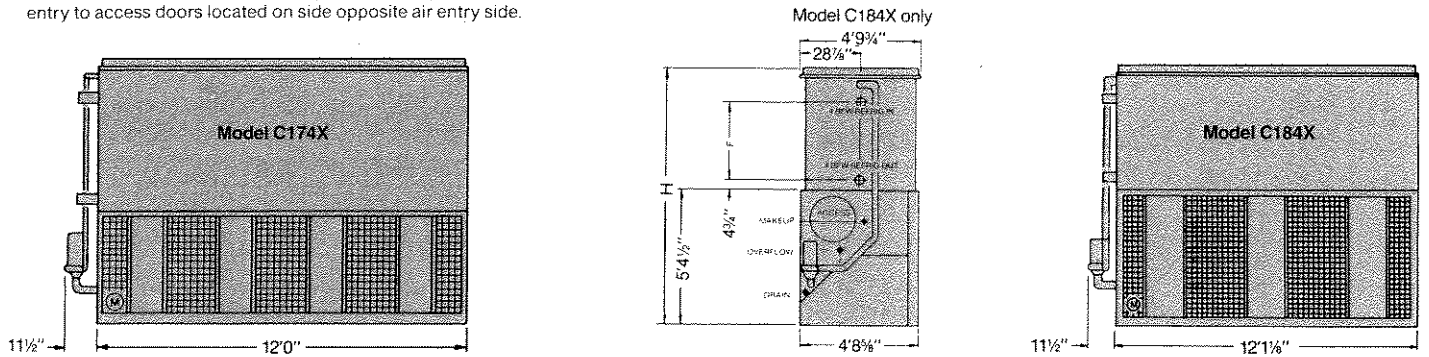
This brochure includes data current at the time of publication which should be reconfirmed at the time of purchase.



\*4 1/4" on C171X  
4 3/4" on C172X, C173X, C174X

Ⓜ Fan Motor Location

**Note:** On Model C17XX sufficient space must be provided for entry to access doors located on side opposite air entry side.



MODEL NO.	APPROX. SHPG. WEIGHT	APPROX. OPER. WEIGHT	HEAVIEST SECTION (COIL)	CFM	MOTOR HP (0" ESP)	GPM	PUMP MOTOR HP	R-717 CHARGE (LBS.)	REMOTE SUMP		F	H
									BOTTOM DRAIN SIZE	APPROX. OPER. WEIGHT		
C1710-B	1270	1400	1270*	2900	1/2	35	1/3	19	2 1/2	1220	14 1/4	77 1/2
C1711-D	1460	1600	1460*	3800	1	35	1/3	25	2 1/2	1420	22 3/4	86
C1712-E	1620	1770	1620*	4400	1 1/2	35	1/3	32	2 1/2	1590	31 1/4	94 1/2
C1712-G	1670	1820	1670*	5300	3	35	1/3	34	2 1/2	1640	31 1/4	94 1/2
C1720-G	2010	2300	2010*	8200	3	75	1/2	35	3	1990	13 1/4	77 1/2
C1721-G	2240	2560	2240*	8900	3	75	1/2	45	3	2250	21 3/4	86
C1722-G	2540	2880	2540*	8500	3	75	1/2	61	3	2570	30 1/4	94 1/2
C1722-H	2590	2930	2590*	10200	5	75	1/2	65	3	2620	30 1/4	94 1/2
C1723-H	2860	3230	1940	9800	5	75	1/2	76	3	2920	38 3/4	103
C1723-J	2930	3300	2010	11600	7 1/2	75	1/2	80	3	2990	38 3/4	103
C1732-H	3510	4210	3510*	12300	5	115	3/4	90	4	3350	33 1/4	97 1/2
C1732-J	3580	4280	3580*	14500	7 1/2	115	3/4	100	4	3810	33 1/4	97 1/2
C1733-J	4000	4750	2850	14000	7 1/2	115	3/4	110	4	4310	42 1/2	106 3/4
C1742-J	4450	5420	4450*	19600	7 1/2	150	1	120	4	4810	33 1/4	97 1/2
C1742-K	4530	5500	4530*	22000	10	150	1	130	4	4890	33 1/4	97 1/2
C1743-K	5060	6080	3640	21000	10	150	1	145	4	5470	42 1/2	106 3/4
C1743-L	5140	6160	3720	23000	15	150	1	160	4	5550	42 1/2	106 3/4
C1842-K	7480	8730	4920	28200	10	220	1 1/2	170	6	7810	33 1/4	117 7/8
C1843-K	8060	9680	5830	27200	10	220	1 1/2	210	6	8760	42 1/2	127 1/8
C1843-L	8170	9770	5930	33300	15	220	1 1/2	230	6	8860	42 1/2	127 1/8
C1844-M	8820	10420	6580	35800	20	220	1 1/2	245	6	9510	51 3/4	136 3/8
C1442-M	10720	15140	7050	46150	20	385	3	290	6	13040	33 1/4	151 3/8
C1442-N	10770	15190	7050	49700	25	385	3	290	6	13090	33 1/4	151 3/8
C1443-N	12180	16750	8460	48250	25	385	3	360	6	14650	42 1/2	160 5/8
C1444-O	13600	18310	9860	50100	30	385	3	430	6	16210	51 3/4	169 7/8
C1462-N	15680	22410	10390	65100	25	580	5	435	8	19160	33 1/4	151 3/8
C1462-O	15700	22430	10390	69200	30	580	5	435	8	19180	33 1/4	151 3/8
C1463-O	17880	24820	12570	67200	30	580	5	540	8	21570	42 1/2	160 5/8
C1464-P	20250	27410	14750	72250	40	580	5	645	8	24160	51 3/4	169 7/8

\*Unit normally ships in one piece.

**NOTES:**

1. The standard right hand arrangement as shown has the air inlet side on the right when facing the connection end. Left hand arrangement can be furnished by special order. Water and refrigerant connections are always located on the same end of the unit.

2. Standard refrigerant connection sizes are 3-inch BFW inlet and outlet for C171X models, and 4-inch BFW inlet and outlet for all other C1000 models. Other connection sizes are available on special order.

3. For indoor application of C1000 evaporative condensers, the room may be used as a plenum with ductwork attached to the discharge only. If inlet ductwork is required, an enclosed fan section must be specified; consult your B.A.C. representative for details.

4. Models C17XX, C184X, C144X, and C146X are single coil section units. Fan cycling results only in on-off operation. For additional steps of control, the energy-miser fan system and two-speed fan motors are available. More precise capacity control can be obtained with modulating fan discharge dampers (see page 24 for details).

5. Fan motor sizes shown in the table are for 0 inches external static pressure (ESP). For additional ESP up to 1/2 inch, use next larger motor size.

6. Refrigerant charge listed is R-717 operating charge. To determine operating charge for other refrigerants, multiply by the following factors: R-12, 2.13; R-22, 1.93; R-500, 1.87; R-502, 1.99.