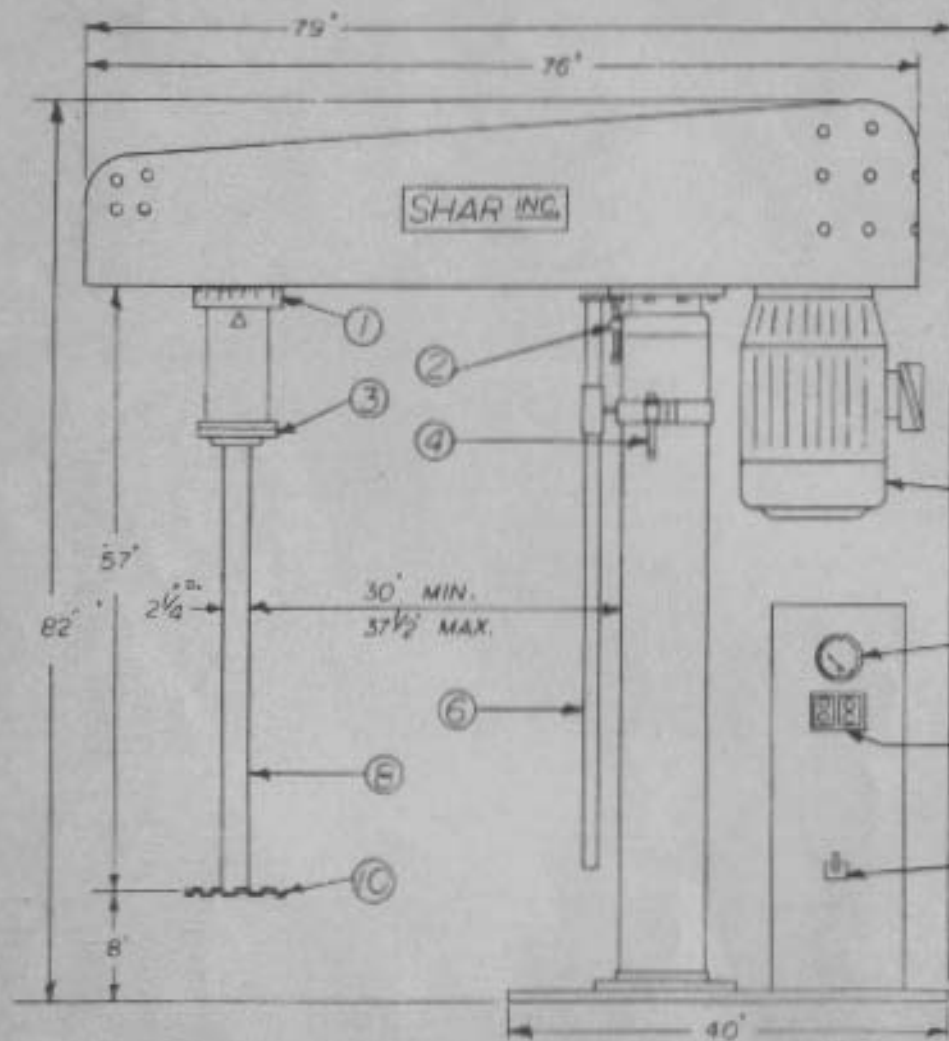


COMPLETELY EXPLOSION PROOF

4' RISE

TOTAL HEIGHT WITH RISE 123"

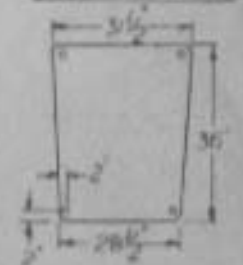
LIFT, HEIGHT & SHAFT ^{AVAILABLE} ADJUSTABLE TO SUIT NEEDS.



- ① SPEED INDICATOR
- ② COLUMN LOCK
- ③ SELF ALIGNING BEARINGS
- ④ STABILIZER LOCK
- ⑤ 20, 25 OR 30 H.P. MOTOR
- ⑥ STABILIZER BAR
- ⑦ AMP METER
- ⑧ STAINLESS STEEL SHAFT
- ⑨ PUSH BUTTON CONTROLS
- ⑩ STAINLESS STEEL IMPELLER
- ⑪ CONTROLS FOR SPEED & LIFT

BASE TEMPLATE

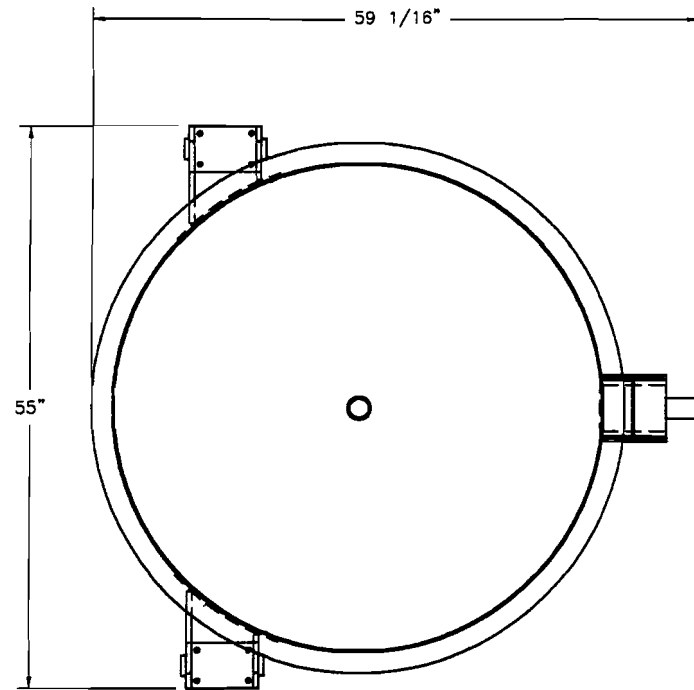
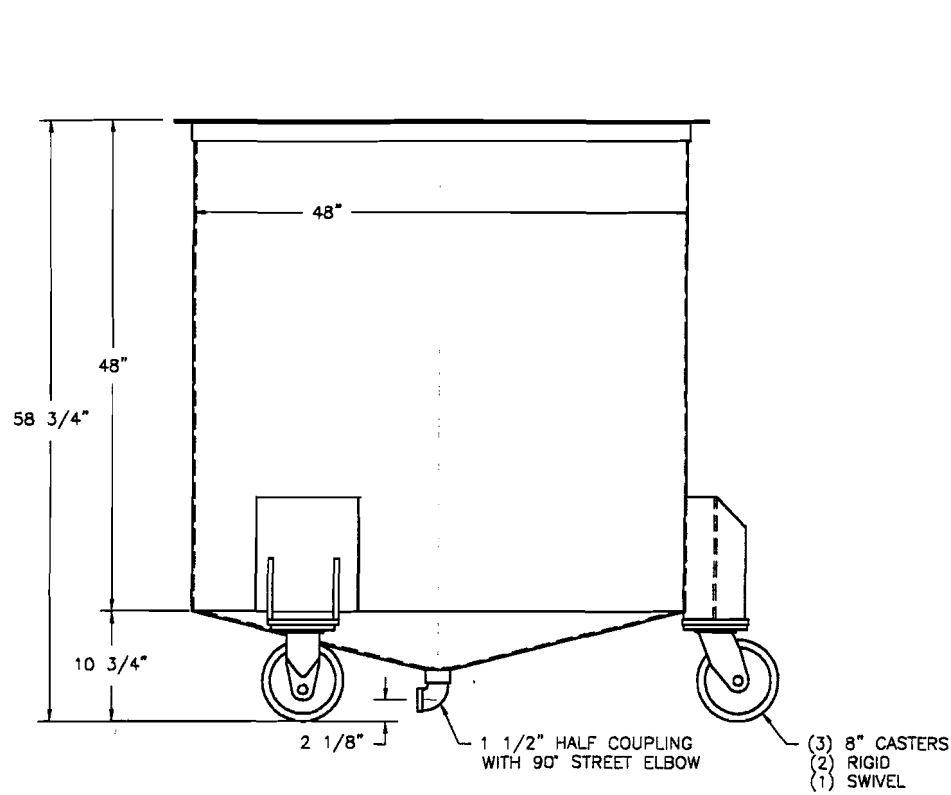
WIDTH OF
BASE 31 1/4"



SHAR INC.

MODELS S-200, S-250 & S-300

4-20-70
LAM



7.72 GALLONS PER INCH STRAIGHT SIDE
 370 GALLONS TOTAL STRAIGHT SIDE
 17 GALLONS TOTAL CONE VOLUME
 387 GALLONS TOTAL TANK VOLUME

TITLE:	387 GALLON TANK	CUSTOMER:	CRANE PLUMBING	REV. DATE:	
MTRL:		APPROVED BY:	CERTIFIED BY:	BY:	NO.
PH. (219) 432-5312 FAX (219) 432-8933 SHARSYS@AOL.COM WWW.SHARSYS.COM	DRAWN BY:	N. YOUNG	FILE NAME:	CC82901A	PLOT DATE:
	SCALE:	1" = 12"	SHEET SIZE:	B	DRAWING NO.:
				DATE:	8/29/01