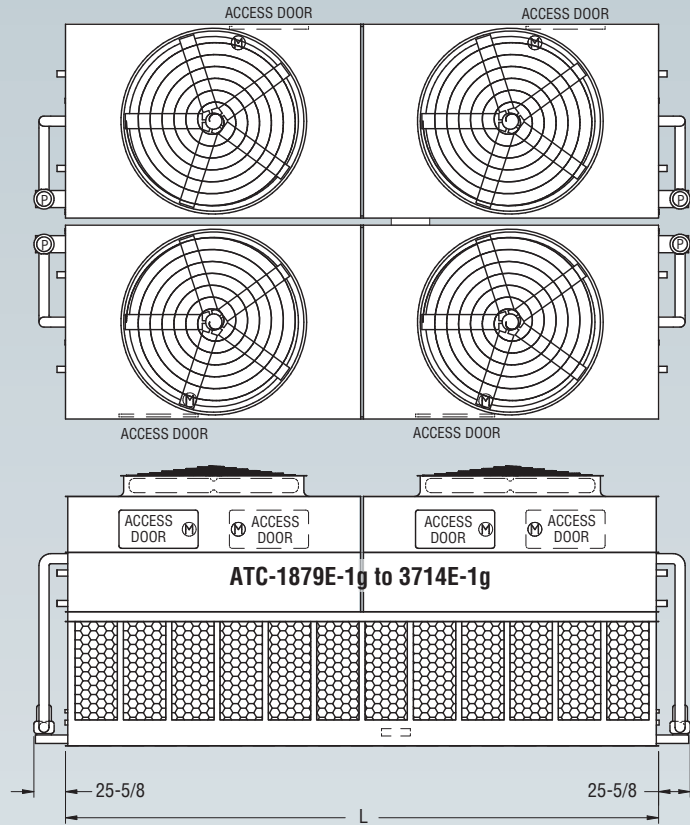
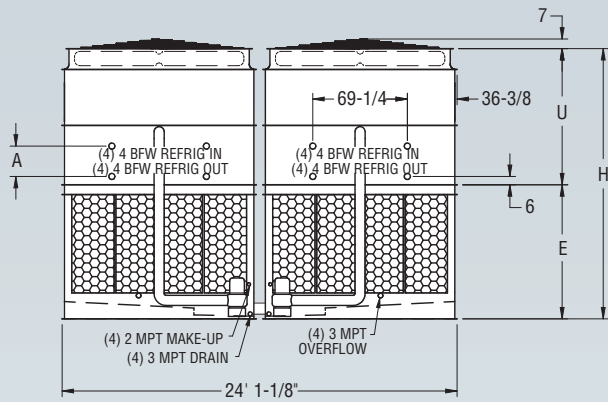




# Engineering Dimensions & Data

## Models ATC-1879E-1g to 3714E-1g



**Table 19 Engineering Data**

Model No.	R-717 Tons*	Fans		Weights†			Refrigerant Charge lbs.***	Coil Volume ft³	Spray Pump		Remote Pump			Dimensions				
		HP	CFM	Shipping	Heaviest Section†	Operating			HP	GPM	Gallons Req'd**	Conn. Size	Operating Weight	Height H	Upper U	Lower E	Coil A	Length L
ATC-1879E-1g	1334	(4)15	286,600	75,300	16,030	103,240	1988	271	(4) 5	3200	1960	(4)12"	87,180	17' 10-7/8"	9' 8-5/8"	8' 2-1/4"	39-1/4"	24' 2"
ATC-2002E-1g	1421	(4)20	315,600	75,540	16,090	103,480	1988	271	(4) 5	3200	1960	(4)12"	87,420	17' 10-7/8"	9' 8-5/8"	8' 2-1/4"	39-1/4"	24' 2"
ATC-2082E-1g	1478	(4)25	336,000	75,660	16,120	103,600	1988	271	(4) 5	3200	1960	(4)12"	87,540	17' 10-7/8"	9' 8-5/8"	8' 2-1/4"	39-1/4"	24' 2"
ATC-2158E-1g	1532	(4)25	325,500	85,100	18,480	113,760	2370	323	(4) 5	3200	1960	(4)12"	97,700	18' 7-3/8"	10' 5-1/8"	8' 2-1/4"	47-3/4"	24' 2"
ATC-2223E-1g	1578	(4)30	342,900	85,300	18,530	113,960	2370	323	(4) 5	3200	1960	(4)12"	97,900	18' 7-3/8"	10' 5-1/8"	8' 2-1/4"	47-3/4"	24' 2"
ATC-2320E-1g	1647	(4)40	371,400	85,940	18,690	114,600	2370	323	(4) 5	3200	1960	(4)12"	98,540	18' 7-3/8"	10' 5-1/8"	8' 2-1/4"	47-3/4"	24' 2"
ATC-2256E-1g	1602	(4)25	370,200	85,760	18,330	118,780	2313	315	(4) 5	3600	2280	(4)12"	100,220	17' 10-7/8"	9' 8-5/8"	8' 2-1/4"	39-1/4"	28' 2"
ATC-2324E-1g	1650	(4)30	389,500	85,960	18,380	118,980	2313	315	(4) 5	3600	2280	(4)12"	100,420	17' 10-7/8"	9' 8-5/8"	8' 2-1/4"	39-1/4"	28' 2"
ATC-2404E-1g	1707	(4)30	377,500	97,960	21,380	131,820	2761	376	(4) 5	3600	2280	(4)12"	113,260	18' 7-3/8"	10' 5-1/8"	8' 2-1/4"	47-3/4"	28' 2"
ATC-2509E-1g	1781	(4)40	408,900	98,600	21,540	132,460	2761	376	(4) 5	3600	2280	(4)12"	113,900	18' 7-3/8"	10' 5-1/8"	8' 2-1/4"	47-3/4"	28' 2"
ATC-2490E-1g	1768	(4)20	433,700	95,360	19,770	136,520	2386	325	(4) 7.5	4800	2880	(4)12"	112,740	17' 2-3/8"	9' 1/8"	8' 2-1/4"	30-3/4"	36' 2-1/2"
ATC-2647E-1g	1879	(4)25	466,400	95,480	19,800	136,640	2386	325	(4) 7.5	4800	2880	(4)12"	112,860	17' 2-3/8"	9' 1/8"	8' 2-1/4"	30-3/4"	36' 2-1/2"
ATC-2765E-1g	1963	(4)30	496,500	95,680	19,850	136,840	2386	325	(4) 7.5	4800	2880	(4)12"	113,060	17' 2-3/8"	9' 1/8"	8' 2-1/4"	30-3/4"	36' 2-1/2"
ATC-2900E-1g	2059	(4)25	452,600	108,680	23,100	150,960	2964	404	(4) 7.5	4800	2880	(4)12"	127,180	17' 10-7/8"	9' 8-5/8"	8' 2-1/4"	39-1/4"	36' 2-1/2"
ATC-3029E-1g	2151	(4)30	481,000	108,880	23,150	151,160	2964	404	(4) 7.5	4800	2880	(4)12"	127,380	17' 10-7/8"	9' 8-5/8"	8' 2-1/4"	39-1/4"	36' 2-1/2"
ATC-3210E-1g	2279	(4)40	522,300	109,520	23,310	151,800	2964	404	(4) 7.5	4800	2880	(4)12"	128,020	17' 10-7/8"	9' 8-5/8"	8' 2-1/4"	39-1/4"	36' 2-1/2"
ATC-3313E-1g	2352	(4)40	506,000	123,080	26,700	166,480	3542	483	(4) 7.5	4800	2880	(4)12"	142,700	18' 7-3/8"	10' 5-1/8"	8' 2-1/4"	47-3/4"	36' 2-1/2"
ATC-3459E-1g	2456	(4)50	538,700	123,120	26,710	166,520	3542	483	(4) 7.5	4800	2880	(4)12"	142,740	18' 7-3/8"	10' 5-1/8"	8' 2-1/4"	47-3/4"	36' 2-1/2"
ATC-2855E-1g	2027	(4)30	529,900	104,860	21,680	151,000	2647	361	(4) 10	5600	3200	(4)14"	123,900	17' 2-3/8"	9' 1/8"	8' 2-1/4"	30-3/4"	40' 2-1/2"
ATC-3232E-1g	2295	(4)30	497,500	136,180	29,510	184,760	3932	536	(4) 10	5600	3200	(4)14"	157,660	18' 7-3/8"	10' 5-1/8"	8' 2-1/4"	47-3/4"	40' 2-1/2"
ATC-3336E-1g	2368	(4)40	561,300	120,220	25,520	167,560	3290	448	(4) 10	5600	3200	(4)14"	140,460	17' 10-7/8"	9' 8-5/8"	8' 2-1/4"	39-1/4"	40' 2-1/2"
ATC-3482E-1g	2472	(4)50	597,400	120,260	25,530	167,600	3290	448	(4) 10	5600	3200	(4)14"	140,500	17' 10-7/8"	9' 8-5/8"	8' 2-1/4"	39-1/4"	40' 2-1/2"
ATC-3591E-1g	2549	(4)50	578,400	136,860	29,680	185,440	3932	536	(4) 10	5600	3200	(4)14"	158,340	18' 7-3/8"	10' 5-1/8"	8' 2-1/4"	47-3/4"	40' 2-1/2"
ATC-3714E-1g	2637	(4)60	608,900	137,660	29,880	186,240	3932	536	(4) 10	5600	3200	(4)14"	159,140	18' 7-3/8"	10' 5-1/8"	8' 2-1/4"	47-3/4"	40' 2-1/2"

\* Tons at standard conditions: 96.3°F condensing, 20°F suction and 78°F W.B.

\*\* Gallons shown is water in suspension in unit and piping. Allow for additional water in bottom of remote sump to cover pump suction and strainer during operation. (12" would normally be sufficient.)

† Heaviest section is the coil section. **When 5.12g seismic design is required consult the factory for specific weights.**

\*\*\* Refrigerant charge is shown for R-717. Multiply by 1.93 for R-22 and 1.98 for R-134a.

Dimensions are subject to change. Do not use for pre-fabrication. Quantity of coil connections subject to change based on refrigerant and design conditions.