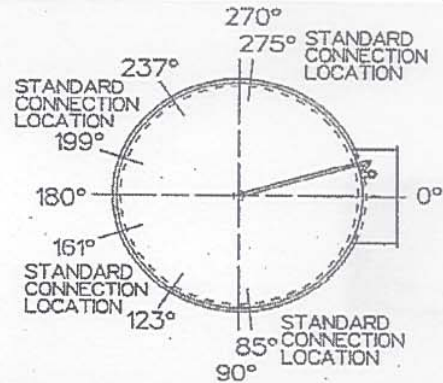
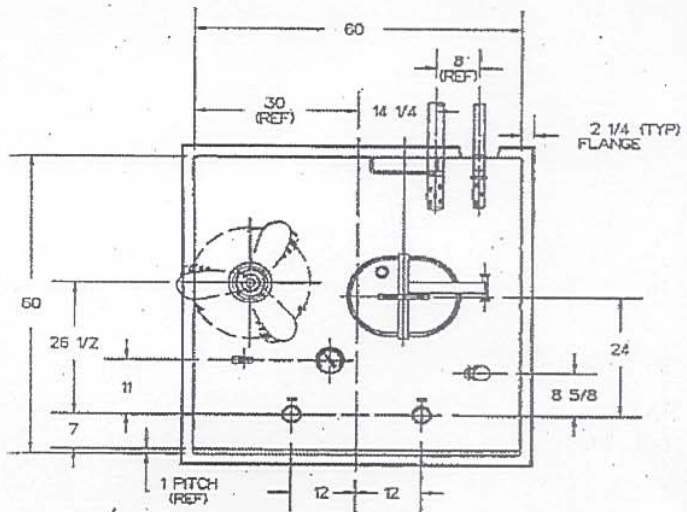
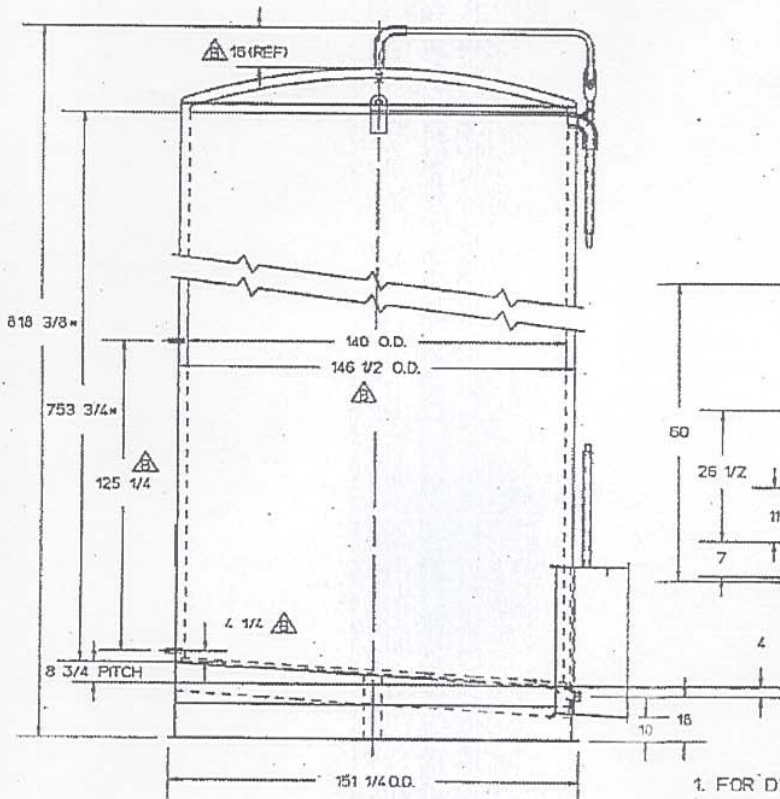


NOTE:
OVERFLOW/VENT LINE
& CIP SUPPLY LINE
ARE SHOWN WITH 1"THK
INSULATION.



STANDARD LOCATION OF REFRIGERATION
CONNECTIONS SHOWN ABOVE. IF SINGLE
INLET/OUTLET CONNECTIONS REQUIRED,
USE EXTERNAL MANIFOLD. SHOW
PREFERRED LOCATION.



WORKING CAPACITY: 50,000 GAL.
EST. WEIGHT EMPTY: 31,900 LBS.
EST. GROSS WEIGHT: 461,900 LBS.

1. FOR DYE TEST REQUIREMENTS SEE ISO PROCEDURE ENG 103

CUSTOMER NAME _____

ALL MATERIALS OR COMPONENT PARTS CALLED OUT ON THIS DRAWING SHALL BE AS SPECIFIED OR APPROVED EQUAL.

B	146 1/2" WAS 144 1/2"	DMT	0V08/02
A	16" WAS 12"	JBF	5-23-00
SYMBOL	CHANGE	BY	DATE
REVISIONS			

This drawing and any print thereof is the property of the PAUL MUELLER CO., Springfield, Mo., and is subject to return on request of the company. The information shown is confidential and the recipient by accepting this drawing agrees not to use any information contained thereon in any manner which will be detrimental to the PAUL MUELLER CO.

DRAWN BY DAWN GREEN	SALES ORDER
DATE 4-29-96	PAUL MUELLER COMPANY
REVIEWED BY JIM FERGUSON	SCALE
DATE 5-23-00	0.01563"=1"
TITLE VERTICAL 50,000 GAL SILO	DRAWING NO. GD02123A

P. O. BOX 825 / SPRINGFIELD, MISSOURI 65801-0825, U.S.A.