

North Star.

MODEL 40 FLAKE ICE MAKER SPECIFICATION SHEET

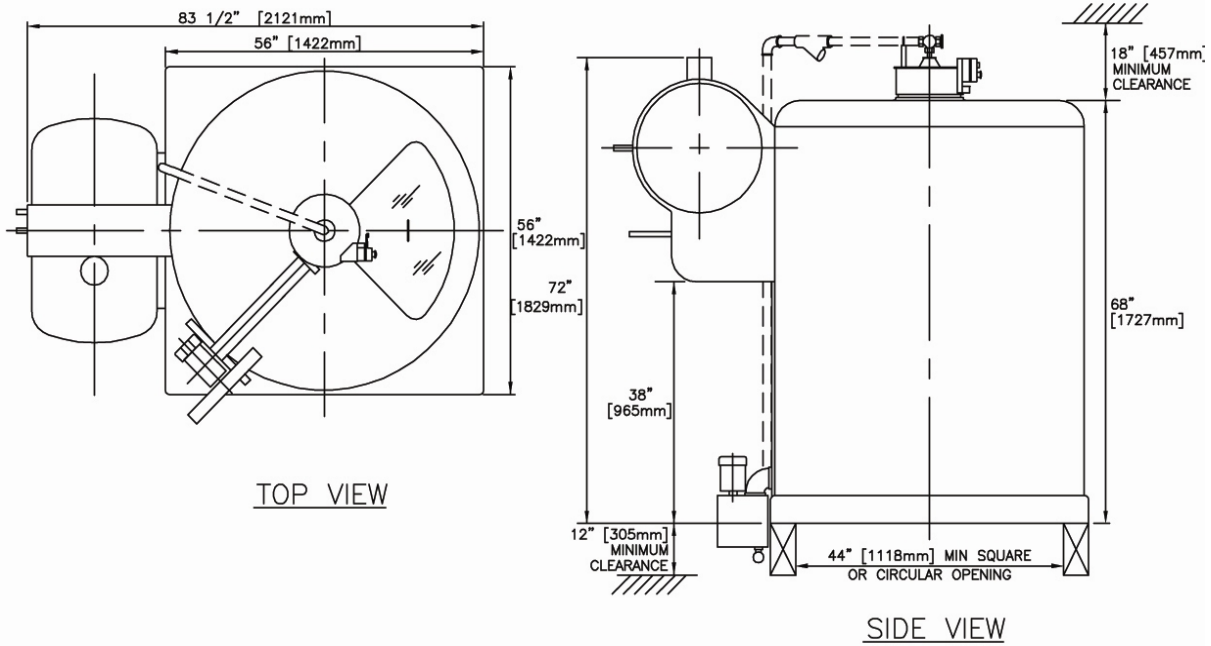


STANDARD FEATURES

- ◆ Double walled, stationary evaporator. No refrigerant seals to leak.
- ◆ Available with either a solid carbon or stainless steel freezing surface.
- ◆ Protection and safety features include mechanical load limit switch, emergency stop switch, jog switch, inspection hatch safety switch and a drive belt guard.
- ◆ Machine available for shipboard installation to produce seawater ice.
- ◆ Polyurethane insulation enclosed in molded fiberglass covers.
- ◆ Attached accumulator for complete gas- liquid refrigerant separation. (Flooded operation)
- ◆ Patented drip shield to insure complete water-ice separation.
- ◆ Stainless steel water make-up tank and ice removal tools are standard. Other stainless steel options are available.
- ◆ Economical, compact, simple to install and operate with minimal maintenance.
- ◆ LIFETIME WARRANTY on North Star evaporators and PERFORMANCE GUARANTEE.



North Star Model 40 Operating Data



Refrigerant Control: Sporlan Levelmaster or RFS (Refrigerant Float Switch)

WEIGHT: 5,200 lbs - 1,905 kg
VOLUME: 326 cu ft - 9.23 cu mtr
DRIVE MOTOR: 0.75 HP
PUMP MOTOR: 0.50 HP
SUCTION LINE: 2 1/2" Sch 40
LIQUID LINE: 1 1/4" Sch 40

OIL DRAIN LINE: 1/2" MPT
WATER LINE:
Tank Inlet: 1/2" FPT
Tank Drain: 1 1/4" FPT
Pump Outlet: 1 1/4" FPT
Flow Control Valve Inlet: 1 1/4" FPT

REFRIGERANT CAPACITY (Volume 5.55 Cubic Feet - .16 Cubic Meters)				REFRIGERATION REQUIREMENT (Tons of Refrigeration Per Ton of Ice)					
Freon R-134a	458 lbs (208 kg)	Freon R-404a	436 lbs (198 kg)	Water Temperature °F	40	50	60	70	80
Freon R-22	418 lbs (190 kg)	Ammonia R-717	210 lbs (95 kg)	Tons of Refrigeration	1.20	1.25	1.30	1.40	1.50

ICE MAKING CAPACITY RANGE GUIDELINE

Evaporator Temperature (°F)	+5	0	-5	-10	-15	-20	-25	-30
Stainless Steel Model	7.7	9.1	10.5	12.0	13.4	14.9	16.1	17.0
Carbon Steel Model	9.0	11.0	13.0	15.0	17.0	18.8	20.0	20.7
	10.8	13.0	15.2	17.4	19.7	21.5	22.7	23.2

*Capacity based on tons (2,000 pounds) per 24 hours, 1.5 to 2.0mm ice thickness, 60°F make-up water, and oil-free ammonia refrigerant. For other operating conditions and specific capacities, refer to our capacity curves or visit the Ice Maker Selection Tool on our web site at www.northstarice.com. Capacities in *italics* are 2.0mm ice thickness.

WATER REQUIREMENT: 0.167 GPM PER TON OF ICE PER 24 HOURS

THERE'S ONLY ONE NORTH STAR