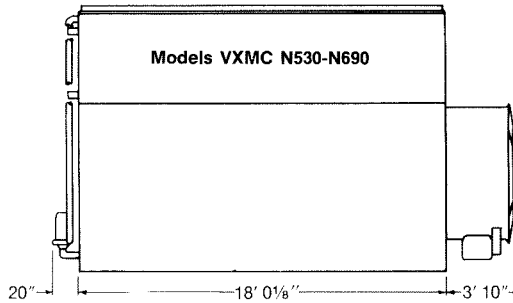
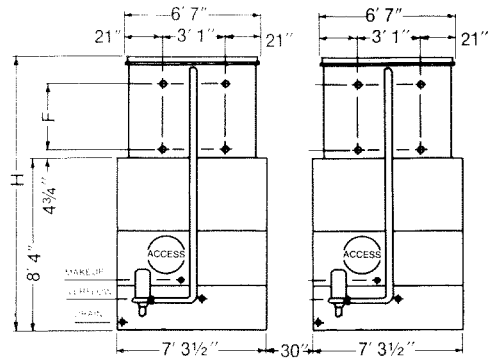
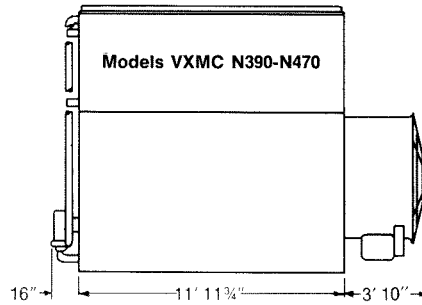
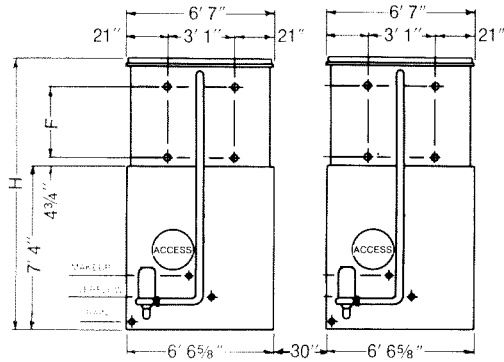


Engineering Data / Models VXMC N

Do not use for construction. Refer to factory certified dimensions.

This brochure includes data current at the time of publication which should be reconfirmed at the time of purchase.



MODEL NO.	APPROX. SHPG. WEIGHT	APPROX. OPER. WEIGHT	HEAVIEST SECTION (COIL)	CFM	FAN MOTOR HP (0" ESP)	GPM	PUMP MOTOR HP	R-717 CHARGE (LB.)	REMOTE SUMP		F	H
									BOTTOM DRAIN SIZE	APPROX. OPER. WEIGHT		
VXMC N390	17360	27080	6580	80000	(2) 7 1/2	610	(2) 3	480	(2) 6	22200	37 3/4	145 7/8
VXMC N430	22380	29680	7810	75800	(2) 7 1/2	610	(2) 3	590	(2) 6	24800	48 1/4	156 3/8
VXMC N470	22660	29940	7950	84600	(2) 10	610	(2) 3	640	(2) 6	25060	48 1/4	156 3/8
VXMC N530	30460	41580	10180	109600	(2) 7 1/2	920	(2) 5	720	(2) 8	34140	37 3/4	157 7/8
VXMC N570	30720	41840	10320	117200	(2) 10	920	(2) 5	780	(2) 8	34400	37 3/4	157 7/8
VXMC N630	34320	45580	12060	112000	(2) 10	920	(2) 5	880	(2) 8	38140	48 1/4	168 3/8
VXMC N690	34730	45960	12270	123400	(2) 15	920	(2) 5	940	(2) 8	38540	48 1/4	168 3/8

NOTES:

1. Standard refrigerant connection sizes are 4-inch MPT inlet and outlet for all models. Models VXMC 600, and 680 through 1240, have refrigerant connections on both ends of the unit. Other connection sizes are available on special order.

2. Models VXMC 300 through 585, and VXMC 620, are single coil section units. Fan cycling results in only on-off operation. Models VXMC N390 through N690, VXMC 600, and VXMC 680 through 1240 are furnished with two coil sections; fans for each section can be cycled to give 50% capacity control. For additional steps of control, two-speed fan motors are recommended.

3. Refrigerant charge listed is R-717 operating charge. To determine operating charge for other refrigerants, multiply by the following factors: R-12, 2.13; R-22, 1.93; R-500, 1.87; R-502, 1.99.