



# APV Homogenizer

## Rannie 132Q /Gaulin 132Q

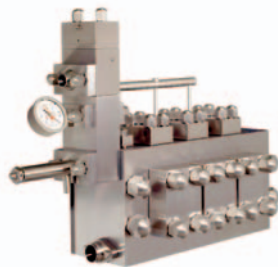
### Introduction

The Rannie 132Q / Gaulin 132Q homogenizer, a five plunger, positive displacement, reciprocating pump, is fitted with an application-specific homogenizing valve assembly: single-stage with hydraulic actuation. As a high-pressure pump, this unit can be fitted with a relief valve.



*Rannie three-piece valve housing*

The Rannie 132Q / Gaulin 132Q homogenizer incorporates a durable slow-speed power end that reduces vibration and noise. Easy access to the hydraulic actuation system, lubrication oil and other auxiliary systems simplifies maintenance saving time and money. Liquid end options include a three-piece valve housing (Rannie) or a mono-block design (Gaulin). As a standard the homogenizer is equipped with the homogenizing valve most suited for your process.



*Gaulin mono-block design*

Design features of both the Rannie and Gaulin simplify routine maintenance. Materials for plungers, packings, pump valves, valve seats and seals are custom-selected for your application. SPX engineers will work

with you to optimise the configuration for your specific application.

### Standard Options

- Two-stage hydraulic valve actuation (HVA)
- Single-stage automatic hydraulic system (AHS)
- Two-stage automatic hydraulic system (AHS)
- Pulsation dampener(s) on inlet and outlet
- Aseptic cylinder design
- High-pressure outlet
- Inlet pressure gauge
- Plunger lubrication control package
- Micro-Gap homogenizing valve
- Tungsten carbide homogenizing valve
- Square plunger seals and ceramic plungers (Rannie valve housing only)
- External cooling fan/main motor
- Motor starter
- Control cabinet, stainless steel
- Thermostat/oil temperature

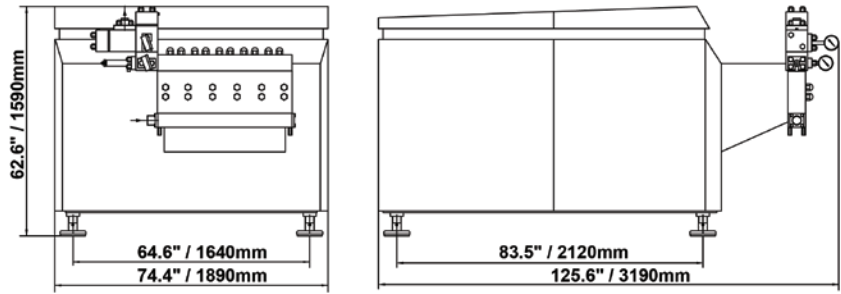
### Special Options

- Acid-proof cylinder (Gaulin valve housing only)
- Ceramic plungers with U- or V-rings
- Explosion-proof design
- Electropolished wettables
- High-temperature design
- Flow switch - power end cooling



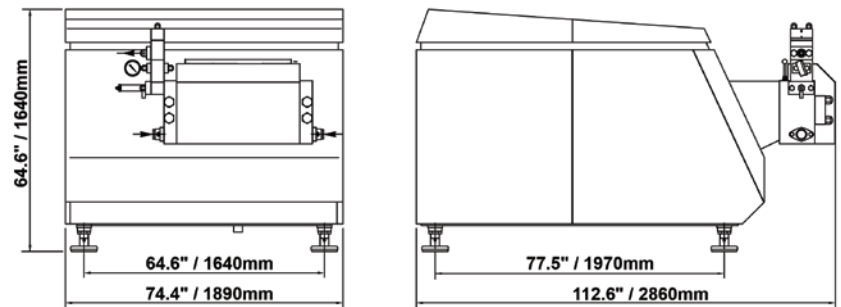
## Rannie/Three-Piece Valve Housing Poppet and Ball Type Valves

Type	US max. cap./max. press.		Metric max.cap./max. press.	
	GPH	PSI	LPH	BAR
85.595	7920	2500	30000	150
70.595	5280	2900	20000	200
65.595	4490	3625	17000	250
60.595	3830	4300	14500	300
50.595	2640	5800	10000	400
42.595	1850	8700	7000	600



## Gaulin/Mono-Block Design

Type	US max. cap./max. press.		Metric max.cap./max. press.	
	GPH	PSI	LPH	BAR
Poppet type valves				
1.5	9000	1500	34000	100
2.0	6600	2000	25000	150
2.5	5020	2500	19000	170
3.0	4490	3000	17000	210
Ball type valves				
1.5	8720	1500	33000	100
3.0	4225	3000	16000	210



## Dimensions (Single Stage)

Dimensions packed in a crate LxWxH (in.)	Dimensions packed in a crate LxWxH (cm)	Cubic measure m <sup>3</sup>	Gross weight in a crate incl. motor
116.8 x 83.6 x 80.8	292 x 209 x 202	12.3	12,346 lb./5,600 kg

SPX Flow Technology  
 Phone: (888) 278-4321  
 Email: answers.us@apv.com  
 www.apv.com  
 www.spxft.com

For more information about our worldwide locations, approvals, certifications, and local representatives, please visit [www.apv.com](http://www.apv.com).

SPX Corporation reserves the right to incorporate our latest design and material changes without notice or obligation. Design features, materials of construction and dimensional data, as described in this bulletin, are provided for your information only and should not be relied upon unless confirmed in writing.