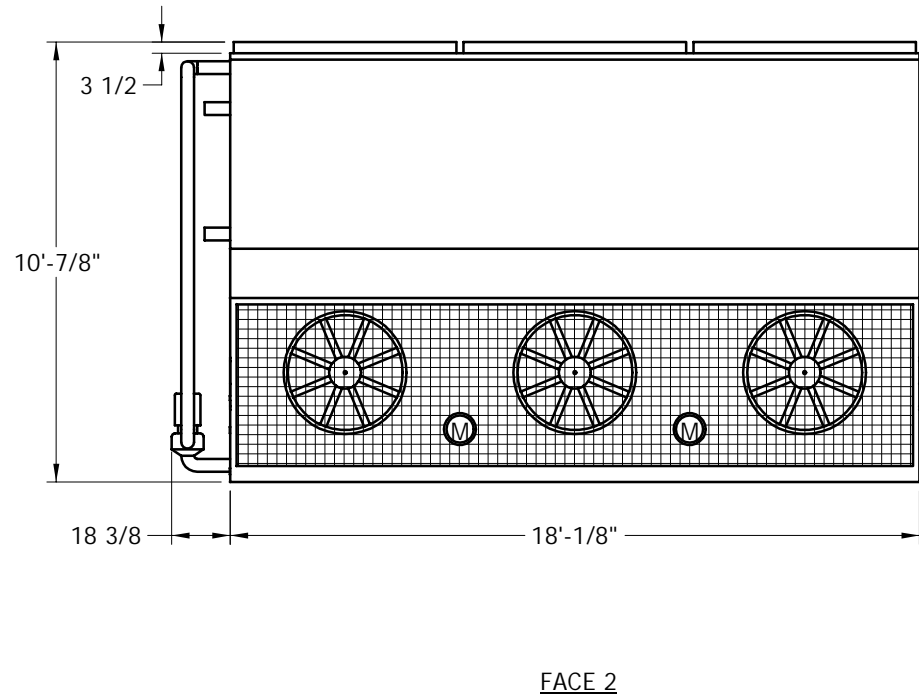
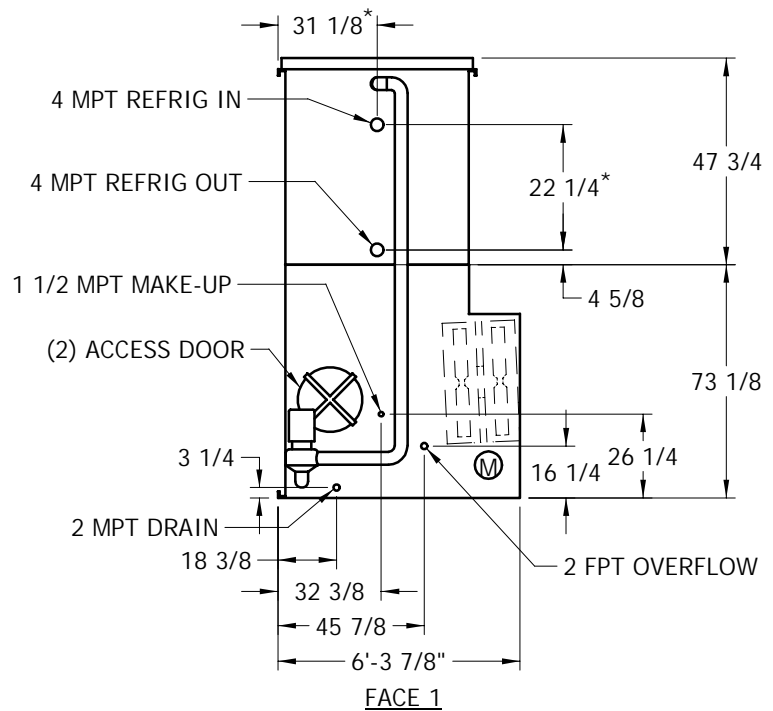
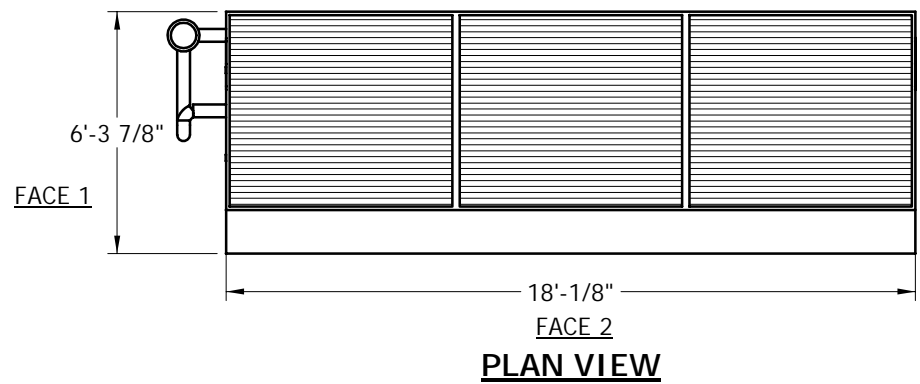


EVAPCO, INC.



UNIT	EVAPORATIVE CONDENSER	MODEL #	SCALE	NTS	DWG. #	CP051806-ERF-ST	REV.	DATE	SERIAL #
------	-----------------------	---------	-------	-----	--------	-----------------	------	------	----------

- NOTES:
1. (M) - FAN MOTOR LOCATION
 2. HEAVIEST SECTION IS UPPER SECTION
 3. MPT DENOTES MALE PIPE THREAD
FPT DENOTES FEMALE PIPE THREAD
BFW DENOTES BEVELED FOR WELDING
 4. + UNIT WEIGHT DOES NOT INCLUDE ACCESSORIES (SEE SEPARATE DRAWINGS FOR ACCESSORIES)
 5. 3/4" DIA. MOUNTING HOLES. REFER TO RECOMMENDED STEEL SUPPORT DRAWING
 6. MAKE-UP WATER PRESSURE-20 psi MIN, 50 psi MAX
 7. * - APPROXIMATE DIMENSIONS DO NOT USE FOR PRE-FABRICATION OF CONNECTING PIPING.



SHIPPING WEIGHT	10480	lbs. +	OPERATING WEIGHT	13330	lbs.	HEAVIEST SECTION WEIGHT	6690	lbs.	NO. OF SHIPPING SECTIONS	2
-----------------	-------	--------	------------------	-------	------	-------------------------	------	------	--------------------------	---