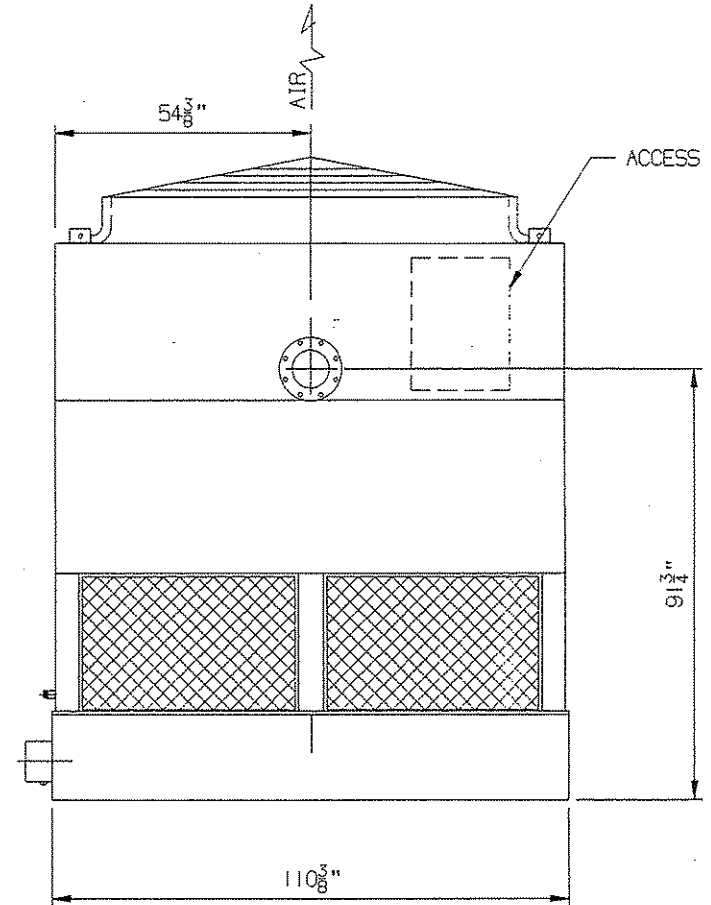
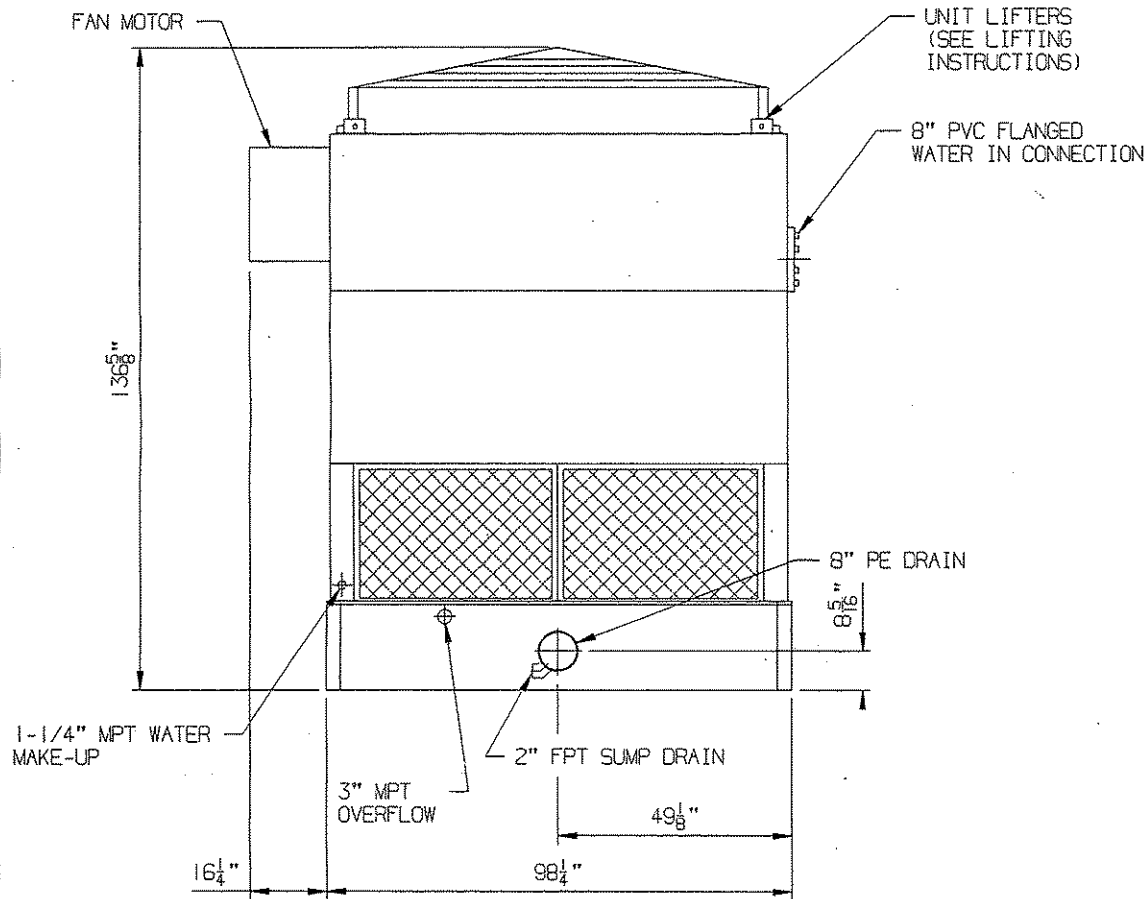


NOTE: THIS UNIT IS NOT DESIGNED TO SUPPORT ANY ADDITIONAL PIPING, VALVES, OR CONTROLS.

MAXIMUM INLET PRESSURE 10 PSI



SO: 5579 | PAGE: 1 | QTY: 1 | YORK SO# 1666-04123

STANDARD UNIT DATA:
 CASING: GALVANIZED SHEET
 PAN: HOT DIP GALVANIZED AFTER FAB.
 FAN MOTOR: (1) 15 HP, TEFC, 1800 RPM,
 254T FR, 460-3-60,
 FOUNDATION LAYOUT: B-5090455

CAPACITY:
 570 GPM
 90°F IN 80°F OUT
 72°F WB
 2.4 PSI PRESSURE DROP AT WATER INLET

OPTIONS: (1) CONTROL PANEL IMCP-122 "1-STAGE" (SHIPPED LOOSE)

IMC 809-190-1-15
 INDUCED DRAFT COUNTER-FLOW
 COOLING TOWER
 FOR
 YORK INT'L. -PHOENIX

ECN	DATE



DR: CDH
 DA: 9-2-94
 B-5090592

B-5090455