

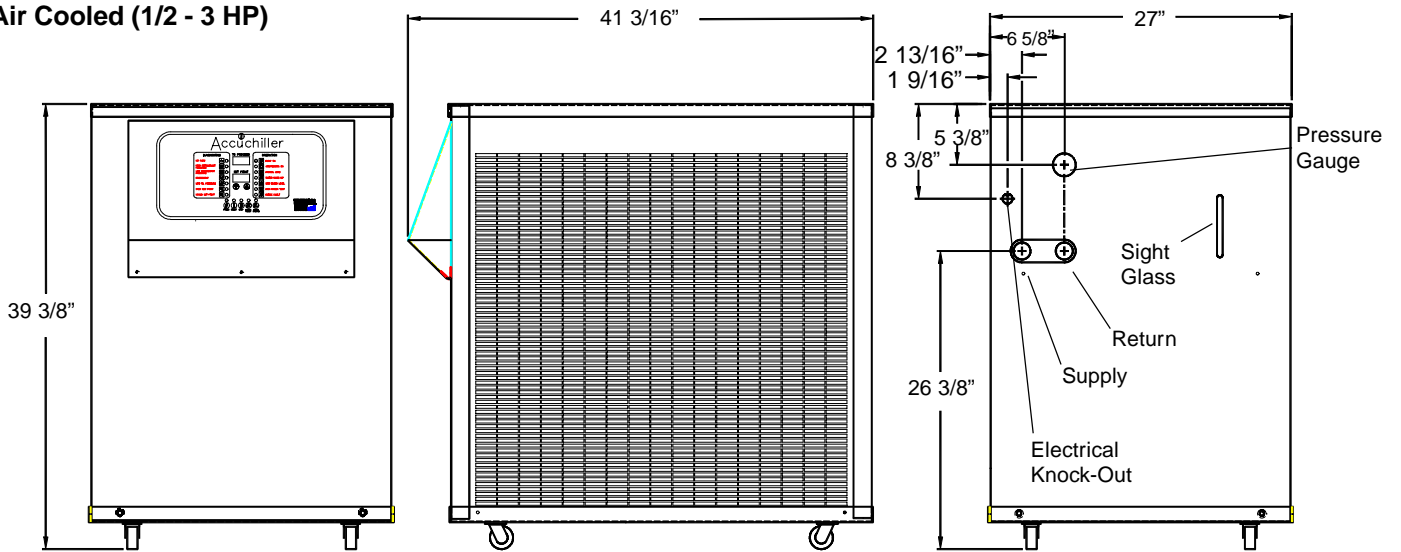


Accuchiller

AQ Series Air Cooled Portable Chiller Specifications

		AQ0A0H	AQ0A01	AQ0A02	AQ0A03	AQ0A06
Cooling Capacity (Tons) <i>(with 95°F ambient air and 10°F rise through process)</i>	55°F	0.4	1.0	1.9	3.0	5.6
	50°F	0.4	0.9	1.7	2.7	5.1
	40°F	0.3	0.7	1.4	2.2	4.1
	30°F	0.2	0.5	1.0	1.6	3.1
Compressor HP		0.5	1	2	3	5.5
Pump HP		0.33	0.33	0.5	0.75	1.5
Pump Flow (GPM)		1	2	4	6	12
Pump Pressure (PSI)		27	27	35	41	43
Nameplate Amps (460/3/60)		23 (115/1/60)	14 (230/1/60)	7	10	16
Shipping Weight (Lbs.)		325	425	550	660	975
Process connections NPT		.75"	.75"	1"	1"	1.5"

Air Cooled (1/2 - 3 HP)



SPA-2537B

Air Cooled (5 1/2 HP)

