

Baltimore Aircoil Cooling Tower 130 Ton, Model FXT 130, S/N 93600427P belt 2BX144
 thermal performance certified validation no. 92-11-01



Baltimore Aircoil

**FXT COOLING TOWERS
6-536 NOMINAL TONS**





Baltimore Aircoil

**FXT COOLING TOWERS
6-536 NOMINAL TONS**



MODEL SELECTION for FXT COOLING TOWERS

(Capacity in U.S. Gallons per minute at the hot water/cold water/wet bulb temperature(°F) conditions shown)

Model	Nominal Tons	95/85 70	95/85 75	100/85 75	105/90 75	95/85 78	100/85 78	105/90 78	95/85 80	100/85 80	105/90 80
FXT-130	130	609	480	376	526	390	311	467	323	262	424

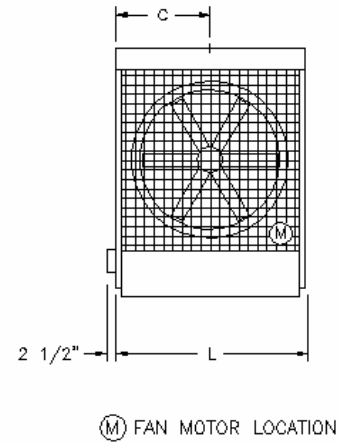
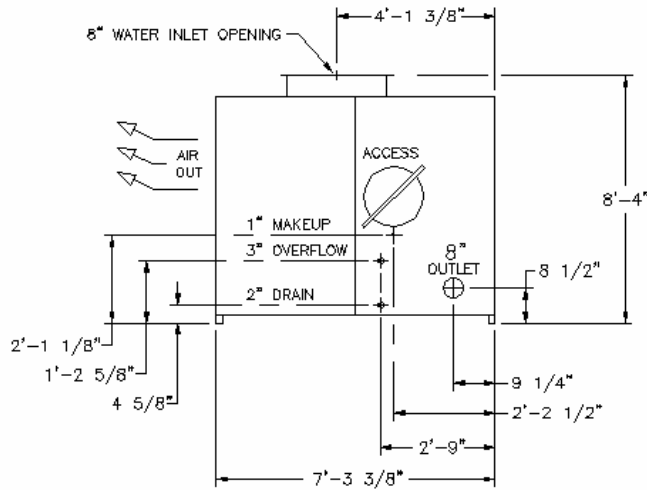


ENGINEERING DATA for FXT COOLING TOWERS



Model No.	Nominal Tons*	Fan HP	Approx. Shpg	Approx. Oper.	Length	Height	Width
FXT-130	130	7.5	2260	6120	9' 1 1/8"	8' 4"	7' 3 3/8"

▶
ENGINEERING DATA



MODEL NO.	DIMENSIONS		WEIGHT (KG.)	
	L	C	APPROXIMATE OPERATING	APPROXIMATE SHIPPING
FXT-74	8'-0 1/8"	3'-0"	4230	1720
FXT-87	8'-0 1/8"	3'-0"	4240	1730
FXT-99	8'-0 1/8"	3'-0"	4280	1770
FXT-115	9'-1 1/8"	4'-6 1/2"	6080	2220
FXT-130	9'-1 1/8"	4'-6 1/2"	6120	2260
FXT-142	9'-1 1/8"	4'-6 1/2"	6160	2300

- NOTES: 1. ALL DIMENSIONS ARE IN FEET AND INCHES. WEIGHTS ARE IN POUNDS.
 2. UNLESS OTHERWISE INDICATED, ALL CONNECTIONS 6 INCHES AND SMALLER ARE MPT AND CONNECTIONS 8 INCHES AND LARGER ARE BEVELLED FOR WELDING.
 3. FIELD PIPING SHOULD BE FABRICATED AT THE TIME OF UNIT INSTALLATION. PRE-FABRICATION OF PIPE WORK IS NOT RECOMMENDED.

B.A.C.
 ORDER NO:
 DATE:



BALTIMORE AIRCOIL
 COMPANY

MODEL:
 FXT COOLING TOWER
 DRAWING NUMBER:
 BAC-8833 A

Baltimore Aircoil

OEM: Baltimore Aircoil Comany

- ▶ Model FXT 130
- ▶ Serial 93600427P
- ▶ Serial 93600427P
- ▶ Belt Number: 2BX144
- ▶ CTI-Houston Certification: 92-11-01
- ▶ BaCross Wet Deck Surface 125F Maximum Water Temp
- ▶ Fan: 6 ft diameter
- ▶ Fan Motor: 7-1/2 HP 208-230/460V 1740 RPM
- ▶ Fan Pulley: 18 in diameter, Motor Gear Pulley 5 in diameter, 54 in center-to-center

Overall Dimensions

117 in L x 95 in W x 95 in H



3/17/2004

