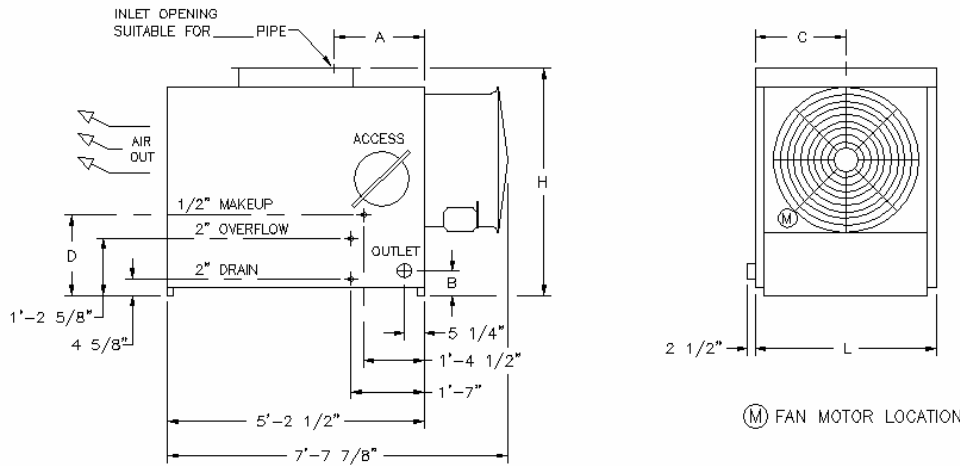



Baltimore Water Cooling Tower 58 Ton, Model FXT-58R, S/N 012879501MAD, w/Marathon 3 hp pump.  
Overall dimensions 6 ft. L x 7 ft. 3 in. W x 7 ft. 8 in. H





MODEL NO.	DIMENSIONS						WEIGHT (LB.)		CONNECTION SIZES	
	L	H	A	B	C	D	APPROXIMATE OPERATING	APPROXIMATE SHIPPING	INLET	OUTLET
FXT-26	4'-6 1/8"	5'-11 1/4"	1'-7 3/4"	6 7/8	2'-3"	1'-8"	2080	940	4"	4"
FXT-30	4'-6 1/8"	5'-11 1/4"	1'-7 3/4"	6 7/8	2'-3"	1'-8"	2090	950	4"	4"
FXT-33	4'-6 1/8"	5'-11 1/4"	1'-7 3/4"	6 7/8	2'-3"	1'-8"	2090	950	4"	4"
FXT-38	4'-6 1/8"	7'-3 1/4"	1'-4 7/8"	7 7/8	2'-3"	1'-10 1/2"	2420	1000	6"	6"
FXT-42	4'-6 1/8"	7'-3 1/4"	1'-4 7/8"	7 7/8	2'-3"	1'-10 1/2"	2420	1000	6"	6"
FXT-47	4'-6 1/8"	7'-3 1/4"	1'-4 7/8"	7 7/8	2'-3"	1'-10 1/2"	2440	1020	6"	6"
FXT-58	6'-0 1/8"	7'-3 1/4"	1'-4 7/8"	7 7/8	3'-0"	1'-10 1/2"	3140	1220	6"	6"
FXT-68	6'-0 1/8"	7'-3 1/4"	1'-4 7/8"	7 7/8	3'-0"	1'-10 1/2"	3150	1230	6"	6"

- NOTES: 1. ALL DIMENSIONS ARE IN FEET AND INCHES. WEIGHTS ARE IN POUNDS.  
 2. UNLESS OTHERWISE INDICATED, ALL CONNECTIONS 6 INCHES AND SMALLER ARE MPT AND CONNECTIONS 8 INCHES AND LARGER ARE BEVELLED FOR WELDING.  
 3. FIELD PIPING SHOULD BE FABRICATED AT THE TIME OF UNIT INSTALLATION. PRE-FABRICATION OF PIPE WORK IS NOT RECOMMENDED.

B.A.C. ORDER NO:	 <b>BALTIMORE AIRCOIL COMPANY</b>	MODEL: FXT COOLING TOWER	
DATE:		DRAWING NUMBER: BAC-8832 A	A