

## DCI Refrigerated Silo Stainless Steel 10,000 Gallon

Mfg: DCI

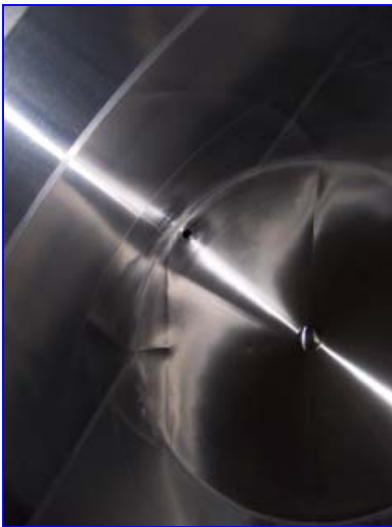
Model:

Stock No. HD-PW349.85

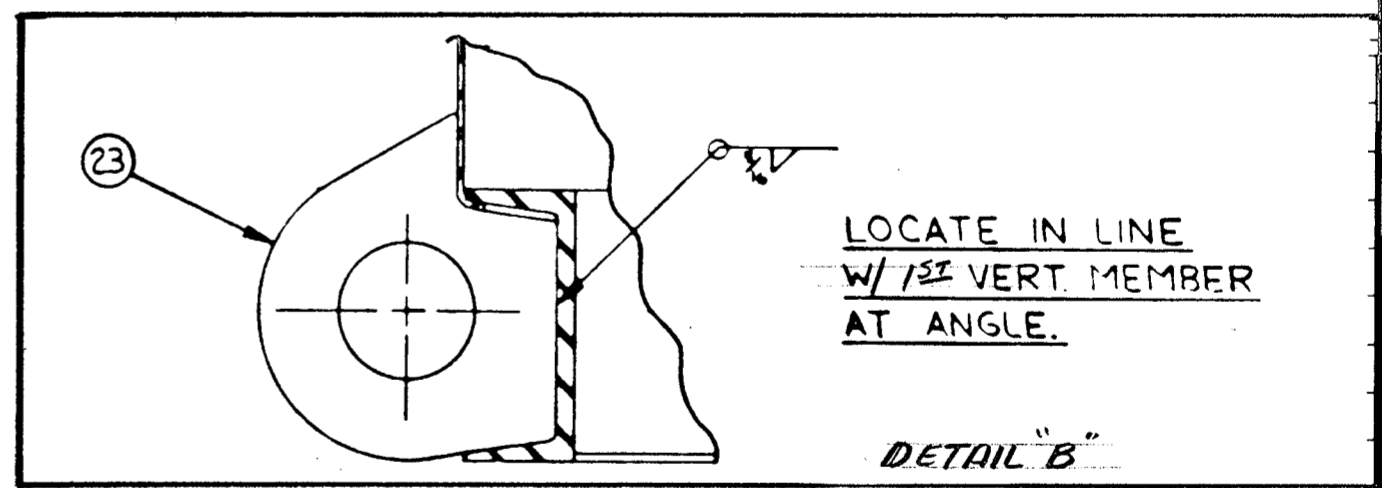
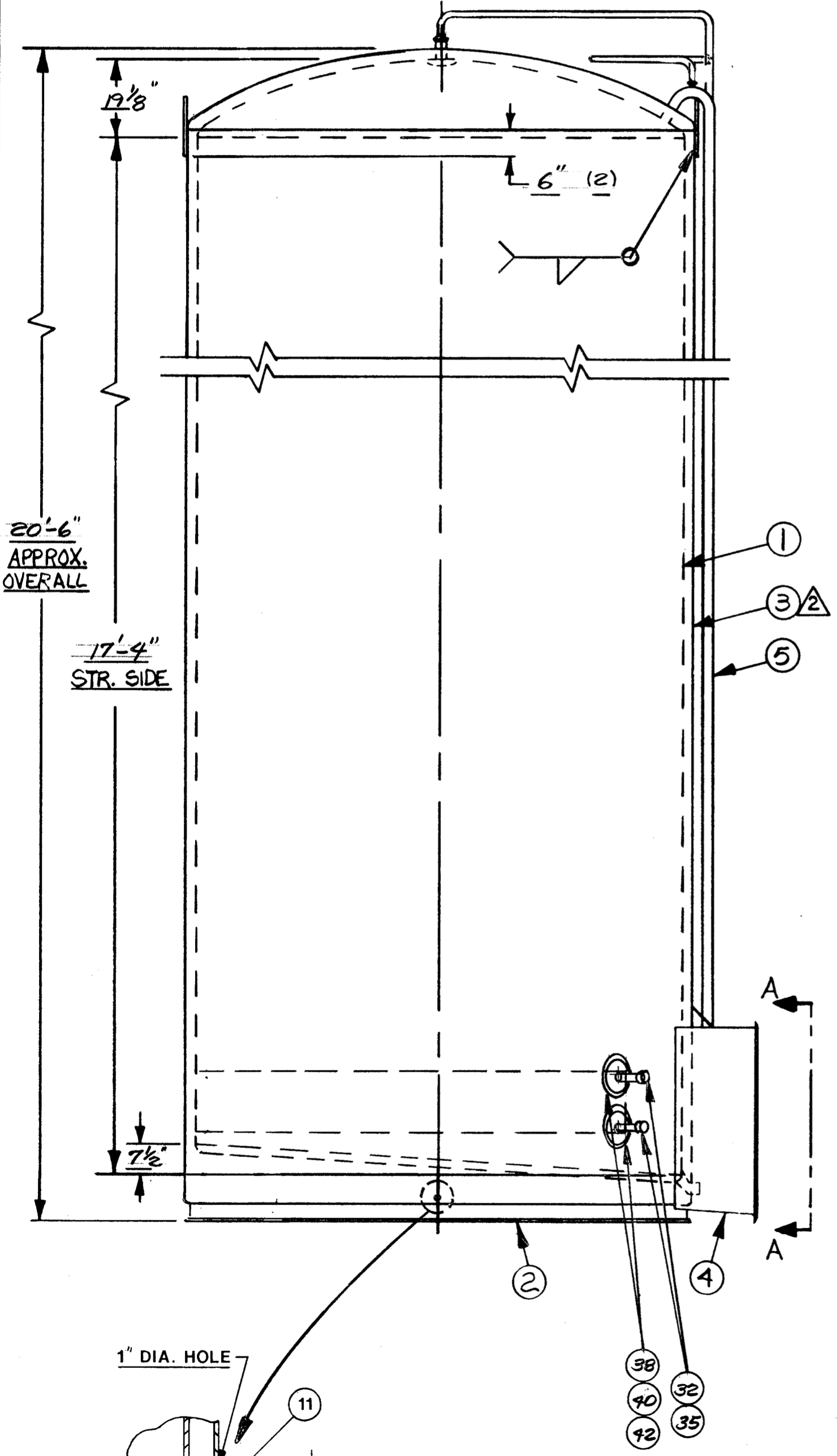
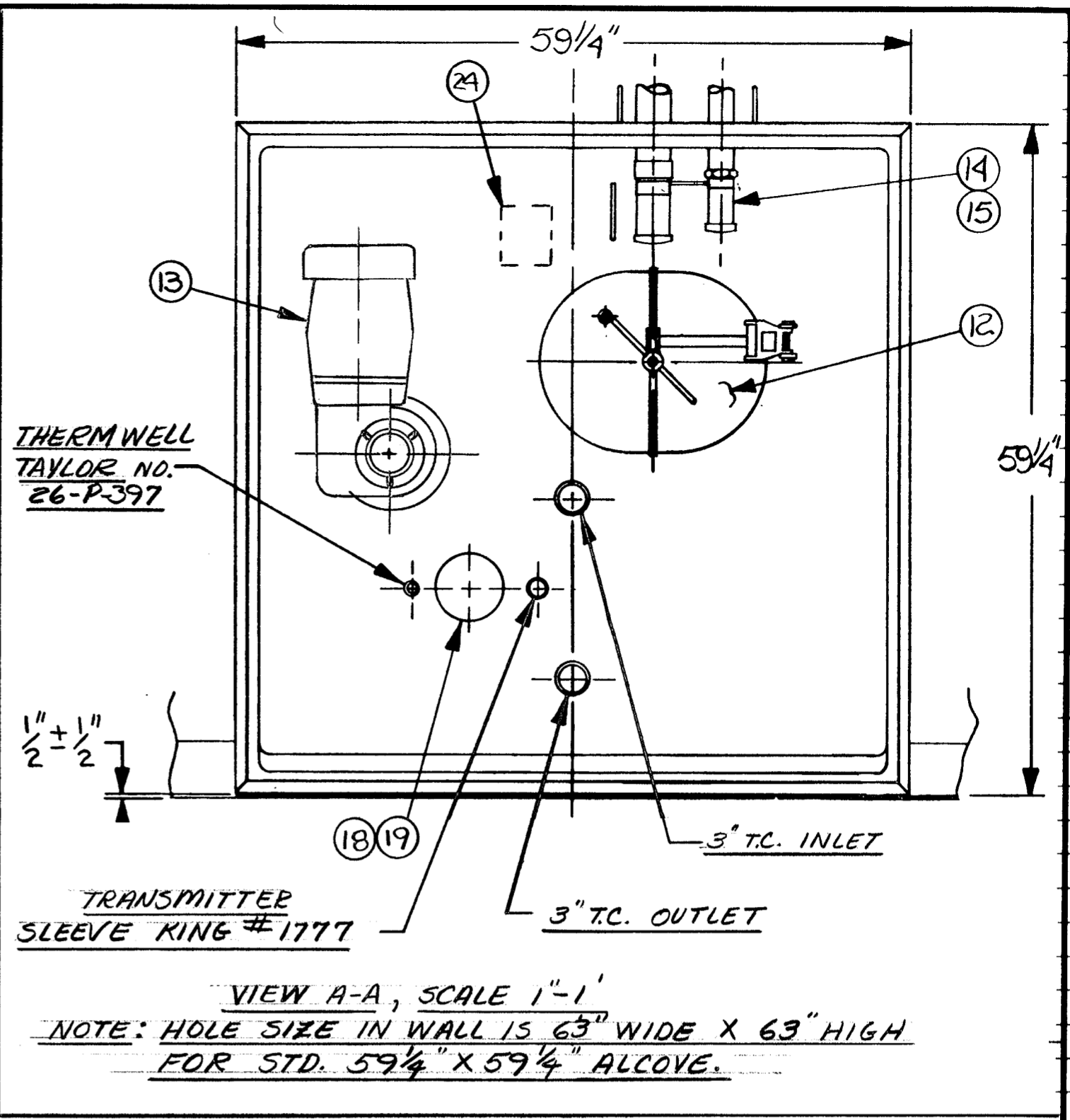
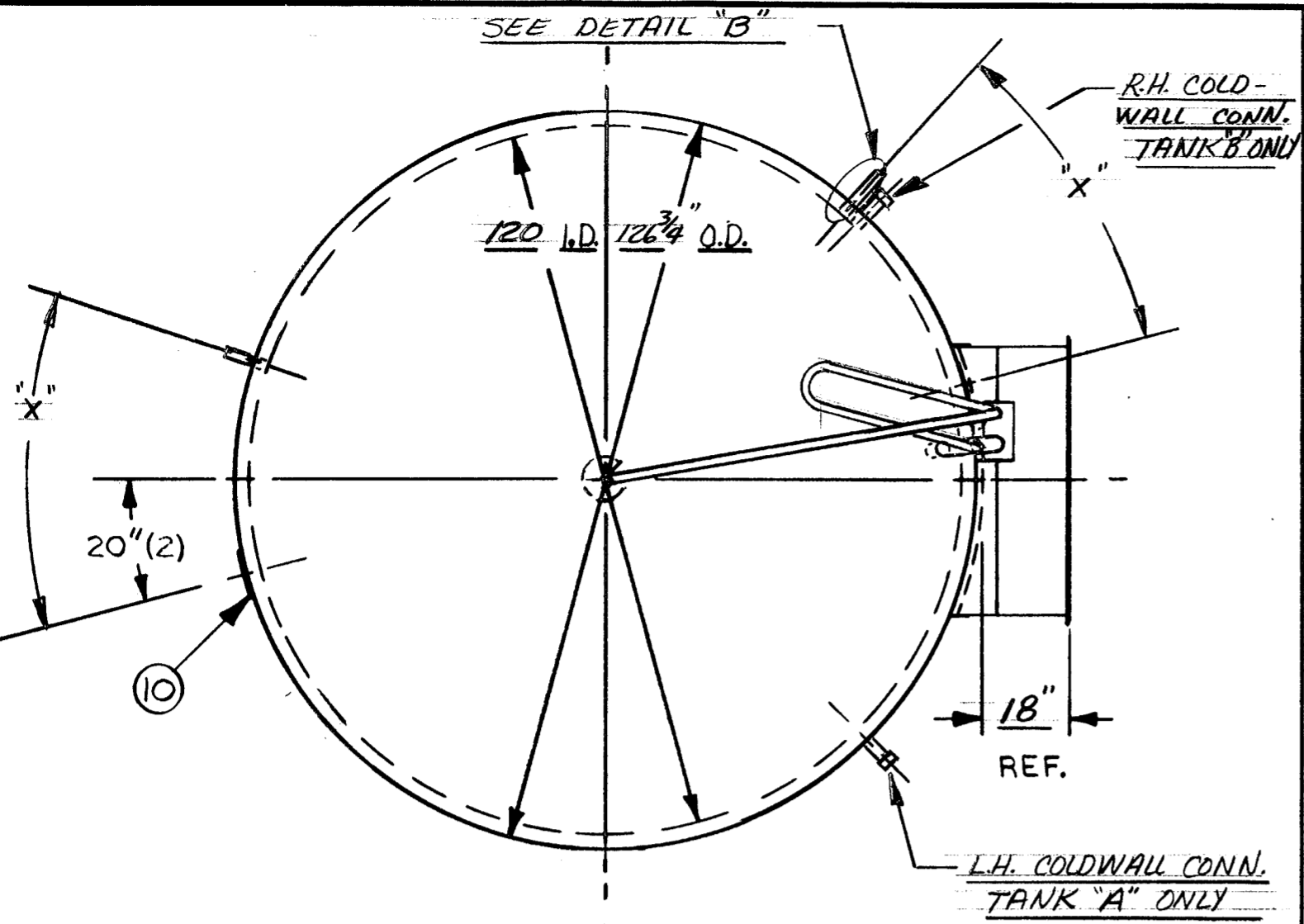
Serial No. 86-D-330 55-B

### DCI Refrigerated Silo Stainless Steel 10,000 Gallon

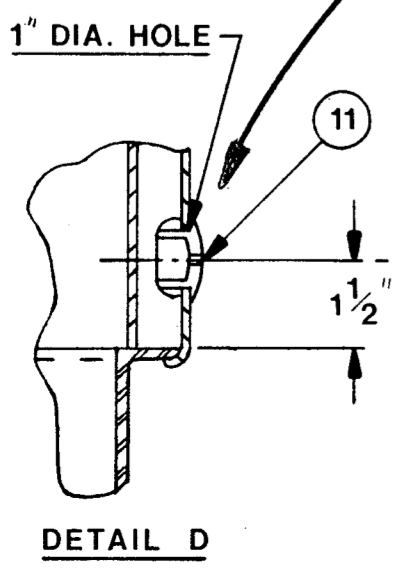
- S/N 86-D-330 55-B
- Horizontal agitator
- Tri-Clover air valve and recorder.



SEE DETAIL "B"



- NOTE:
1. FINISH: INSIDE 150, WELDS GRD. & POL. WITH 150 GRIT.
  2. OUTSIDE PRIME PAINTED.
  3. OUTSIDE WRAP MIN. CIRC. -  $33'-2\frac{3}{4}" (398\frac{3}{4})$  AT ANY POINT AFTER LAP WELDING.
  4. EST. EMPTY WGT. - 11,700 LBS.
  5. SEE D 022438 DRWG. FOR LOCATION OF SADDLES.
  - 6.
  7. ALL ISOLATION SEALS TO BE SEALED W/ LATEX CAULK, SILICONIZED ACRYLIC.
  8. DIMPLE JACKET, 305Q. FT., TYPE AF, WORKING PRESSURE 150 PSIG. @ 100°F.
  9. DEHYDRATE & CAP COLDWALL.



ITEM NO.	PART NO.	DESCRIPTION	MATERIAL SPEC.	NO. REQD.
ORDER NO. 86-D-33055-A+B		FINAL, ASS'Y, SILO, 10,000 GAL., 120" I.D., 17'-4" STR.		
	NO. REQ'D 2			
REV.	DATE	DO NOT SCALE DRAWING	DRWN.	CHECKED
A			M.A.	
B		TOLERANCE UNLESS SPECIFIED	DATE	DATE
C		FRACTION - ± 1/16	8-2-85	
D		DECIMAL - ± .005	PREFIX	DWG. NO.
E		ANGULAR -	016	C 101439
		SCALE NONE		REV.

ORIGINAL