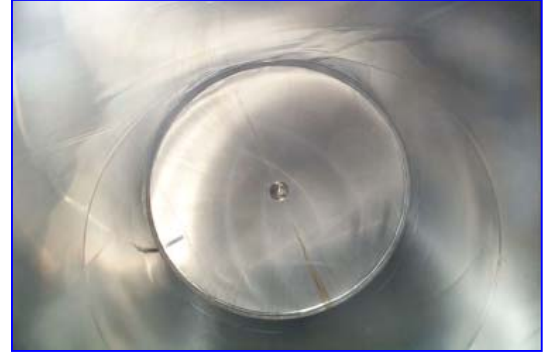
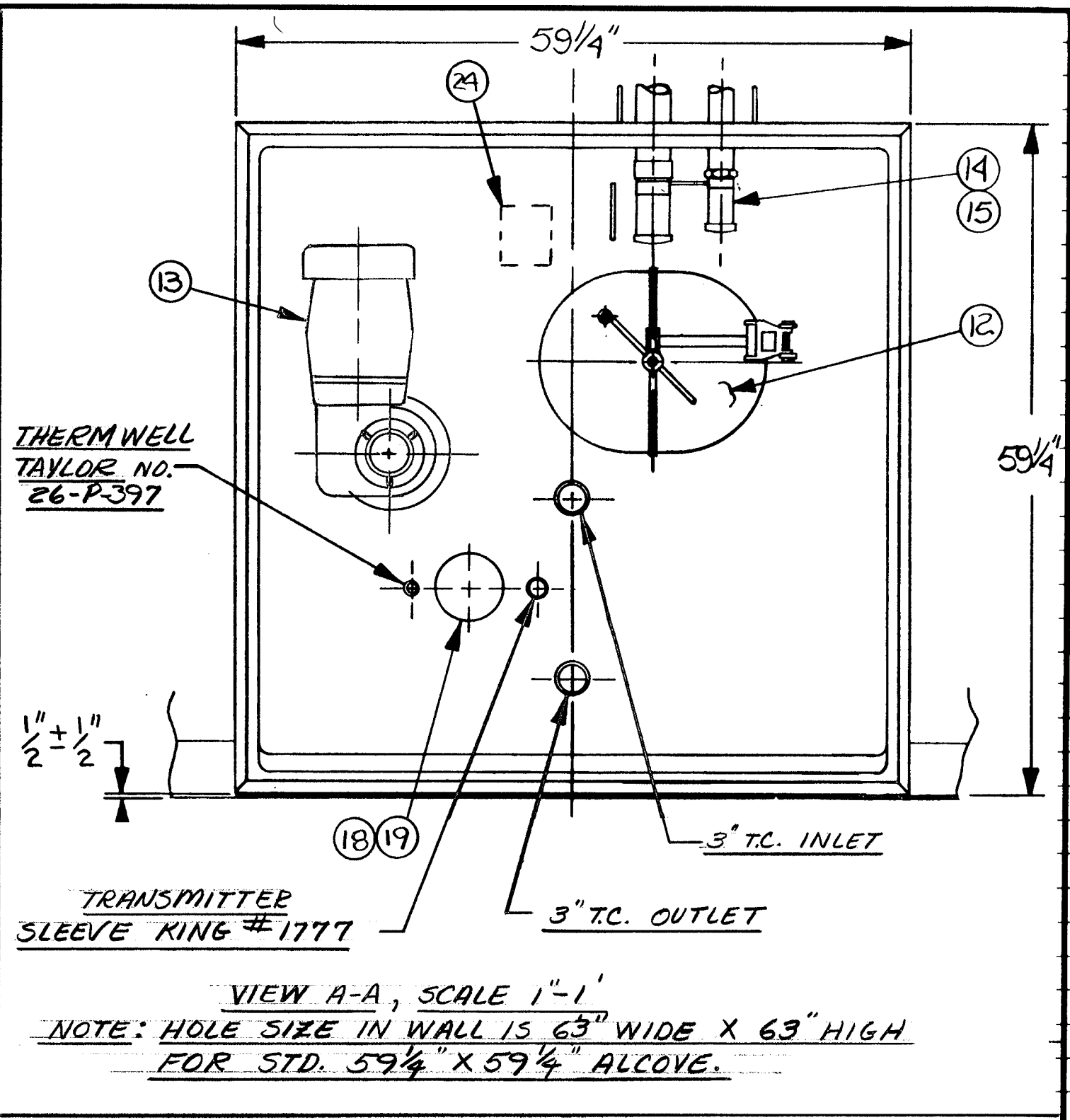
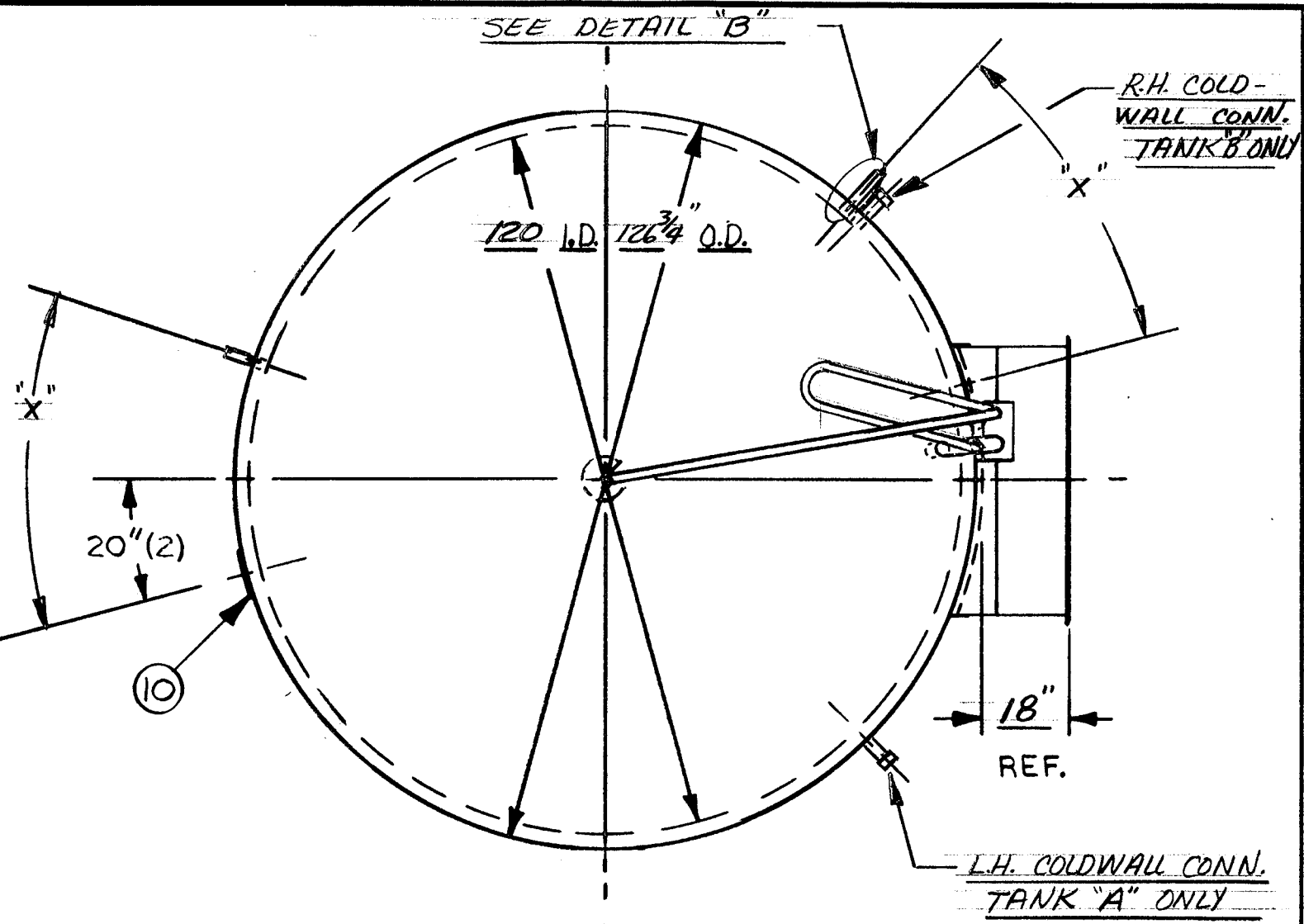


Dairy Craft Refrigerated Silo, Stainless Steel-10,000 Gallon, exterior white. S/N 1839. Manhole 22 in. L x 17 in. W oval, without lid. Stainless steel box 55 in. W x 55 in. L, in the box 6 fittings, (2) 1 in, (1) 1/2 in., (1) 2 in, (1) 2-1/2 in., (1) 3 in. (2) 3 in. tubes on the side that run from top to bottom. Overall dimensions 21 ft. 10 in. H x 128 in. W x 135 in. L.

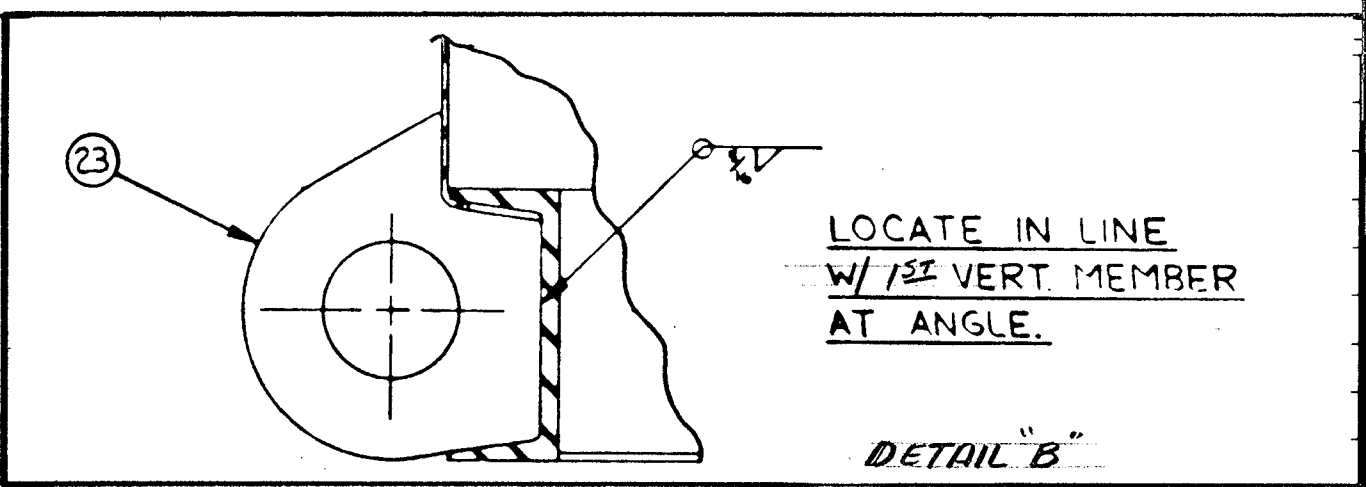
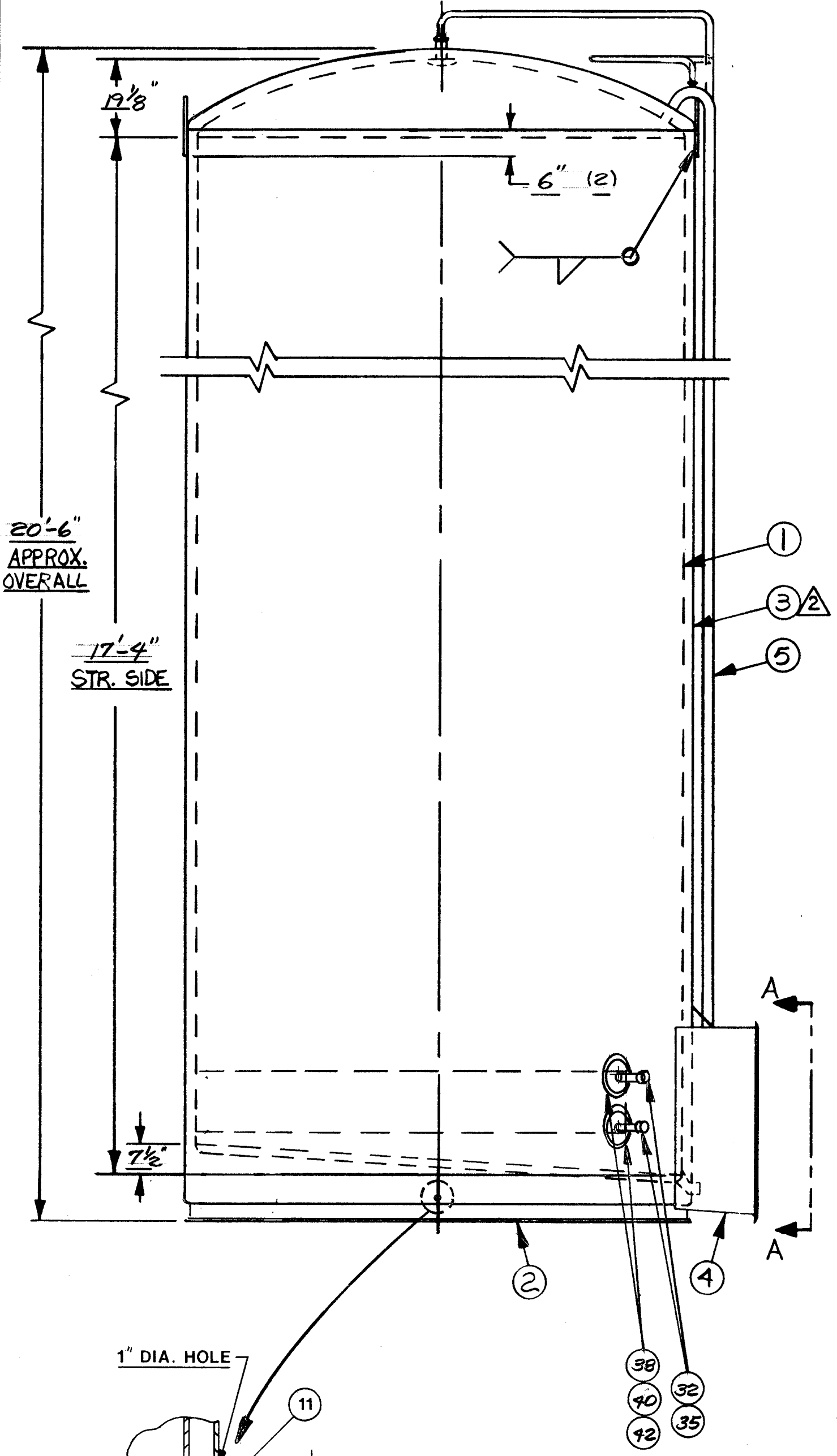




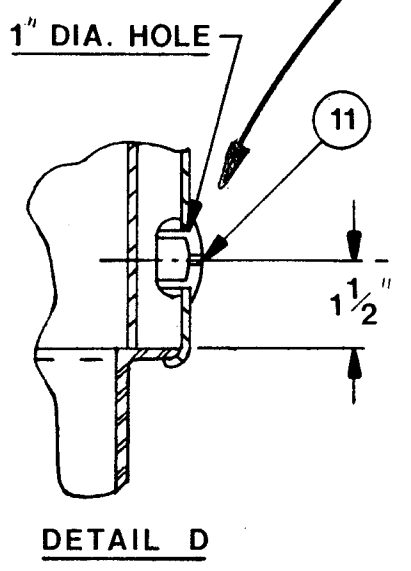
SEE DETAIL "B"



VIEW A-A, SCALE 1"-1'  
 NOTE: HOLE SIZE IN WALL IS 63" WIDE X 63" HIGH FOR STD. 59 1/4" X 59 1/4" ALCOVE.



- NOTE:
1. FINISH: INSIDE 150, WELDS GRD. & POL. WITH 150 GRIT.
  2. OUTSIDE PRIME PAINTED.
  3. OUTSIDE WRAP MIN. CIRC. - 33'-2 3/4" (398 3/4") AT ANY POINT AFTER LAP WELDING.
  4. EST. EMPTY WGT. - 11,700 LBS.
  5. SEE D 022438 DRWG. FOR LOCATION OF SADDLES.
  - 6.
  7. ALL ISOLATION SEALS TO BE SEALED W/ LATEX CAULK, SILICONIZED ACRYLIC.
  8. DIMPLE JACKET, 305Q. FT., TYPE AF, WORKING PRESSURE 150 PSIG. @ 100°F.
  9. DEHYDRATE & CAP COLDWALL.



| ITEM NO.                    | PART NO.       | DESCRIPTION   | MATERIAL SPEC. | NO. REQD. |
|-----------------------------|----------------|---|----------------|-----------|
| ORDER NO.<br>86-D-33055-A+B |                | FINAL, ASS'Y, SILO, 10,000 GAL., 120" I.D., 17'-4" STR. |                |           |
|                             | NO. REQ'D<br>2 |   |                |           |
| REV.                        | DATE           | DO NOT SCALE DRAWING                                    | DRWN.          | CHECKED   |
| A                           |                |   | M.A.           |           |
| B                           |                | TOLERANCE UNLESS SPECIFIED                              | DATE           | DATE      |
| C                           |                | FRACTION - ± 1/16                                       | 8-2-85         |           |
| D                           |                | DECIMAL - ± .005  | PREFIX         | DWG. NO.  |
| E                           |                | ANGULAR -   | 016            | 101439    |
|                             |                | SCALE NONE  |                | REV.      |

ORIGINAL