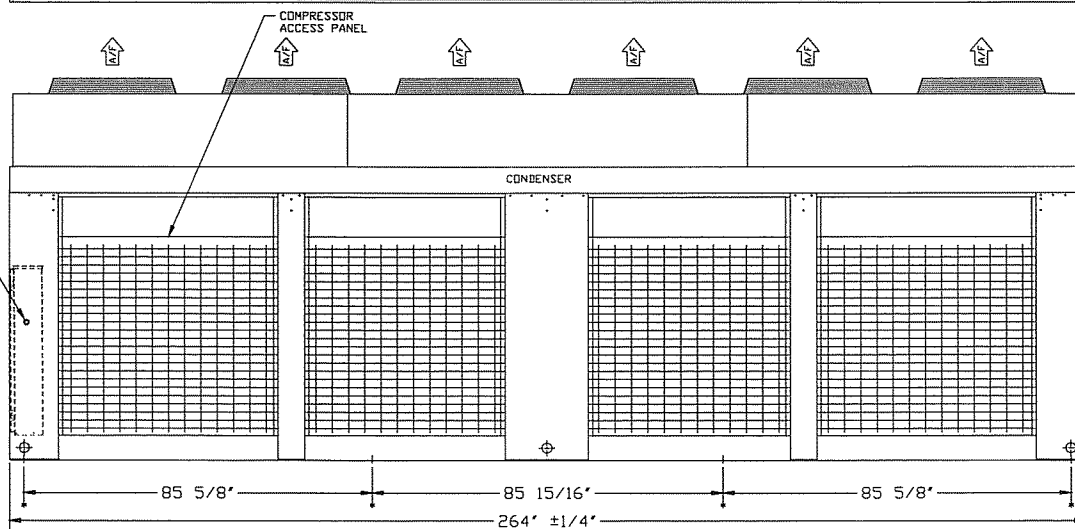
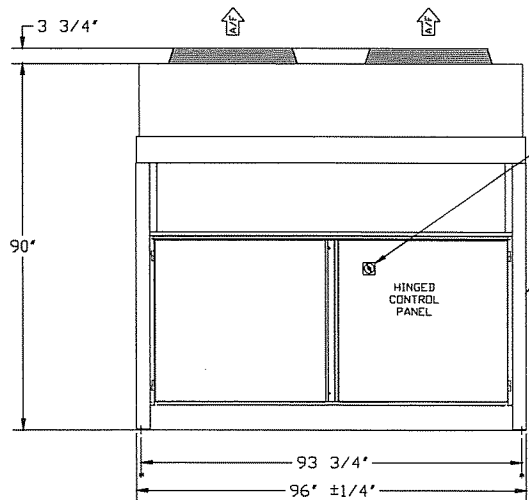
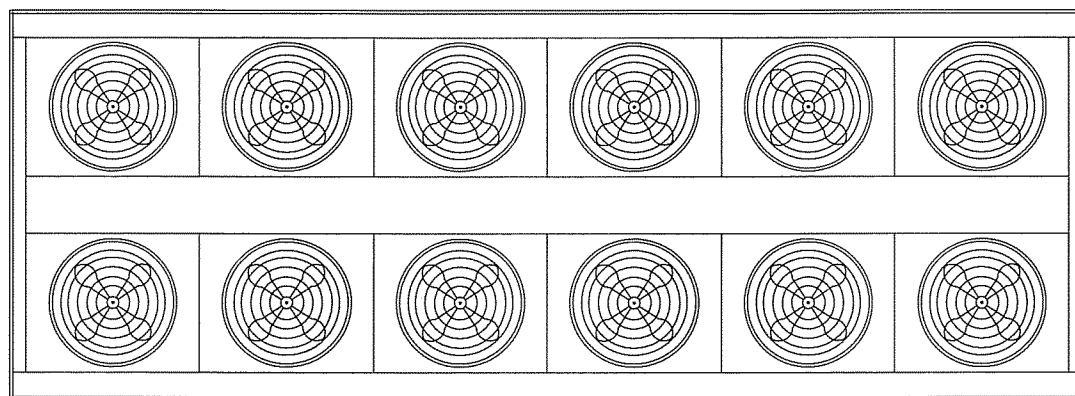
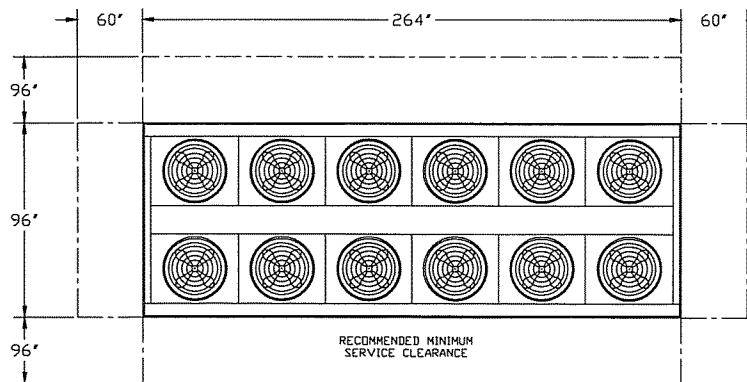




**FSI**  
**PR#: 79796**  
10/25/2005

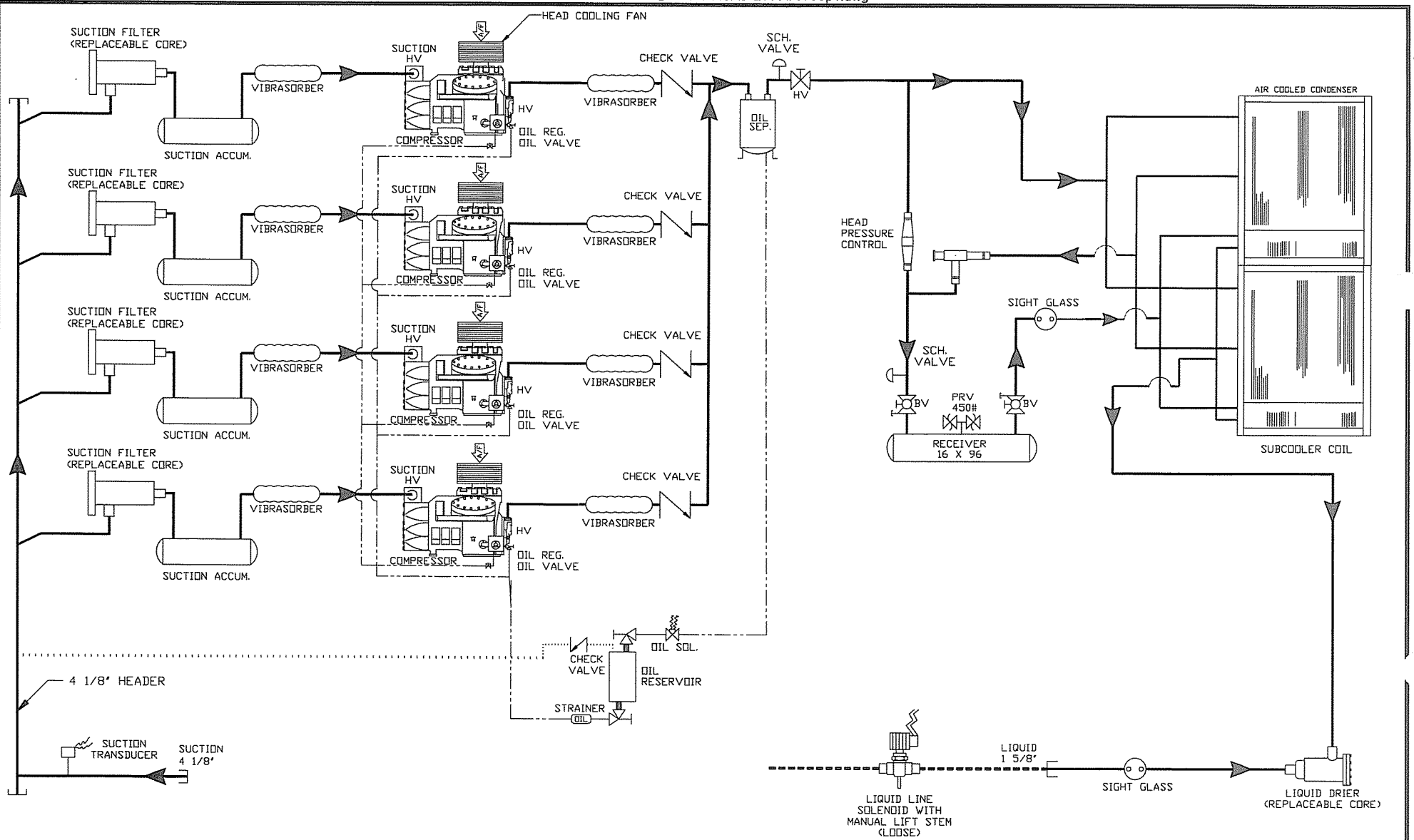


⊕ 2 1/2"⊕ RIGGING HOLES  
 \* 5/8"⊕ MOUNTING HOLES  
 EST. SHIPPING WT. 9,019 LBS.  
 EST. OPERATING WT. 9,242 LBS.



TITLE:  
 UNIT DRAWING  
 DM120L7

SCALE: NONE	ENGINEERING APPROVED BY:	QUALITY CONTROL APPROVED BY:	DRAWN BY: JD	REVISED BY:	DATE:	REV. NO:
DATE: 10/24/05			FILE NO: ACAD2005			⚠
SUB-TITLE: PR 79796			DRAWING NUMBER: 79796U1			⚠



NOTE:  
 OIL SYSTEM PIPING ————  
 EXTERNAL EQUALIZER LINE - - - -  
 FIELD PIPING - - - - -



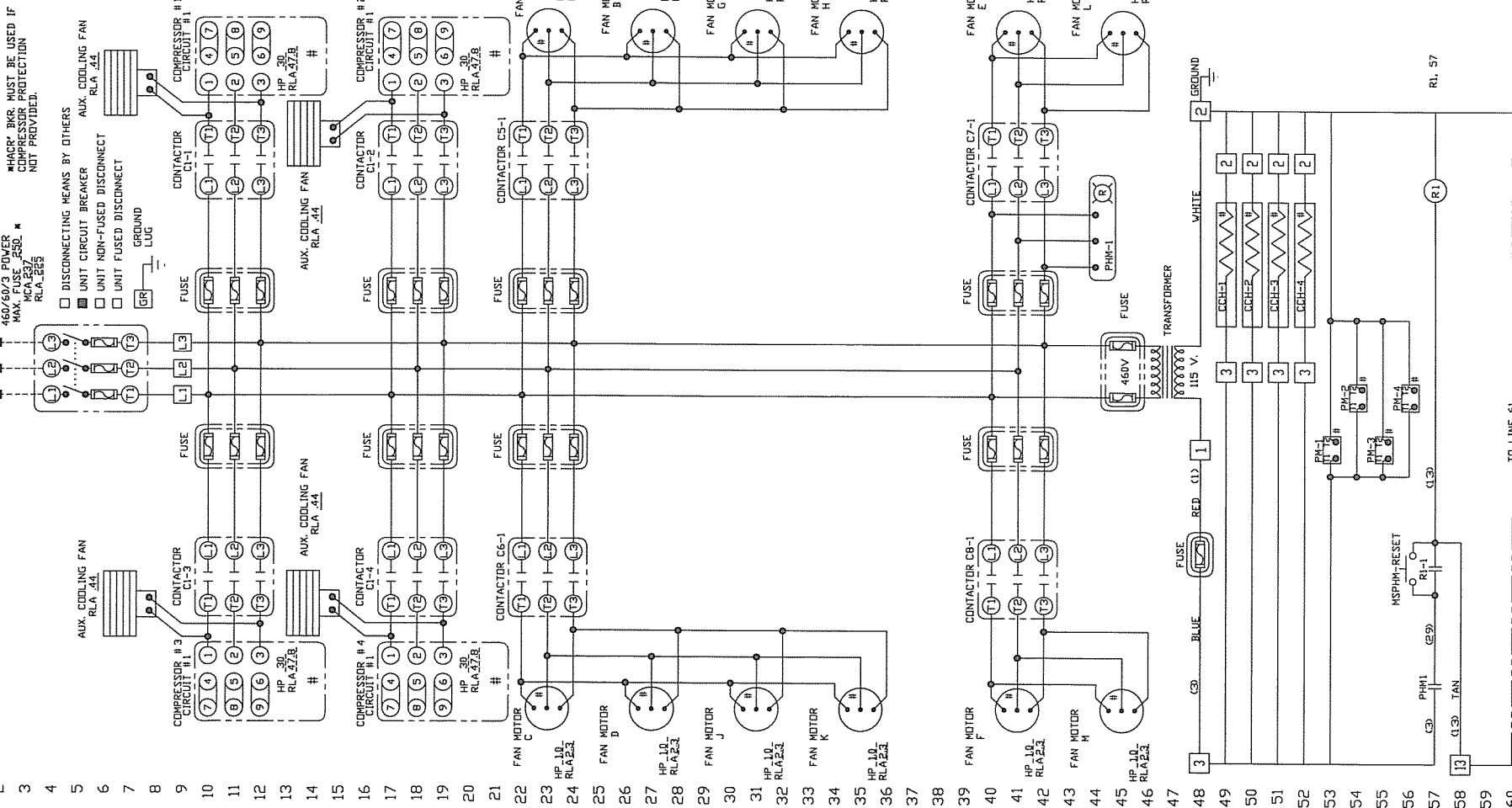
TITLE:  
 REFRIGERANT PIPING  
 DM120L7

SCALE: NONE	ENGINEERING APPROVED BY:	QUALITY CONTROL APPROVED BY:	DRAWN BY: JD	REVISED BY:	DATE:	REV. NO. 3
DATE: 10/24/05			FILE NO: ACAD2005			2
SUB-TITLE: PR 79796			DRAWING NUMBER: 79796P1			1

8 REMOTES COMPONENTS LOCATED EXTERNAL OF U.L. ENCLOSURE  
( ) INDICATES WIRE NUMBER IDENTIFICATION  
FIELD WIRING ----- (BY OTHERS)

CONTROL CIRCUIT POWER:  BY OTHERS TO SEPARATE SOURCE  
 (115/60/1) (230/60/1)  
 (208/60/1) BY FACTORY  
MIN. VA. 2000

TO PROTECTED POWER SOURCE PER N.E.C. FOR MCA VALUE OF 100 OR LESS, USE TYPE 60°C, IF GREATER THAN 100, USE TYPE 75°C COPPER CONDUCTORS ONLY



LEGEND

APR	Audible Alarm Fan
ABC	Alarm Dry Contact
AM	Air Flow Interlock
LUV	Low Voltage
HIGH	High Pressure
FAN CYCLE	Fan Cycle
OIL TEMP	Oil Temperature
BLUE	Blue Wire

- MS - Audible Alarm Fan
- ABC - Alarm Dry Contact
- AM - Air Flow Interlock
- LUV - Low Voltage
- HIGH - High Pressure
- FAN CYCLE - Fan Cycle
- OIL TEMP - Oil Temperature
- BLUE - Blue Wire
- MS - Audible Alarm Fan
- ABC - Alarm Dry Contact
- AM - Air Flow Interlock
- LUV - Low Voltage
- HIGH - High Pressure
- FAN CYCLE - Fan Cycle
- OIL TEMP - Oil Temperature
- BLUE - Blue Wire

FILE # ACAD\_2005

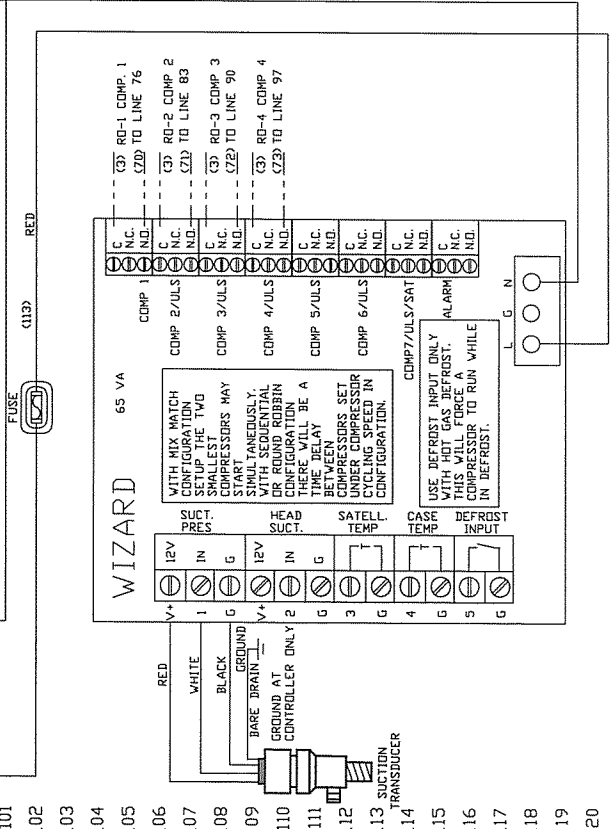
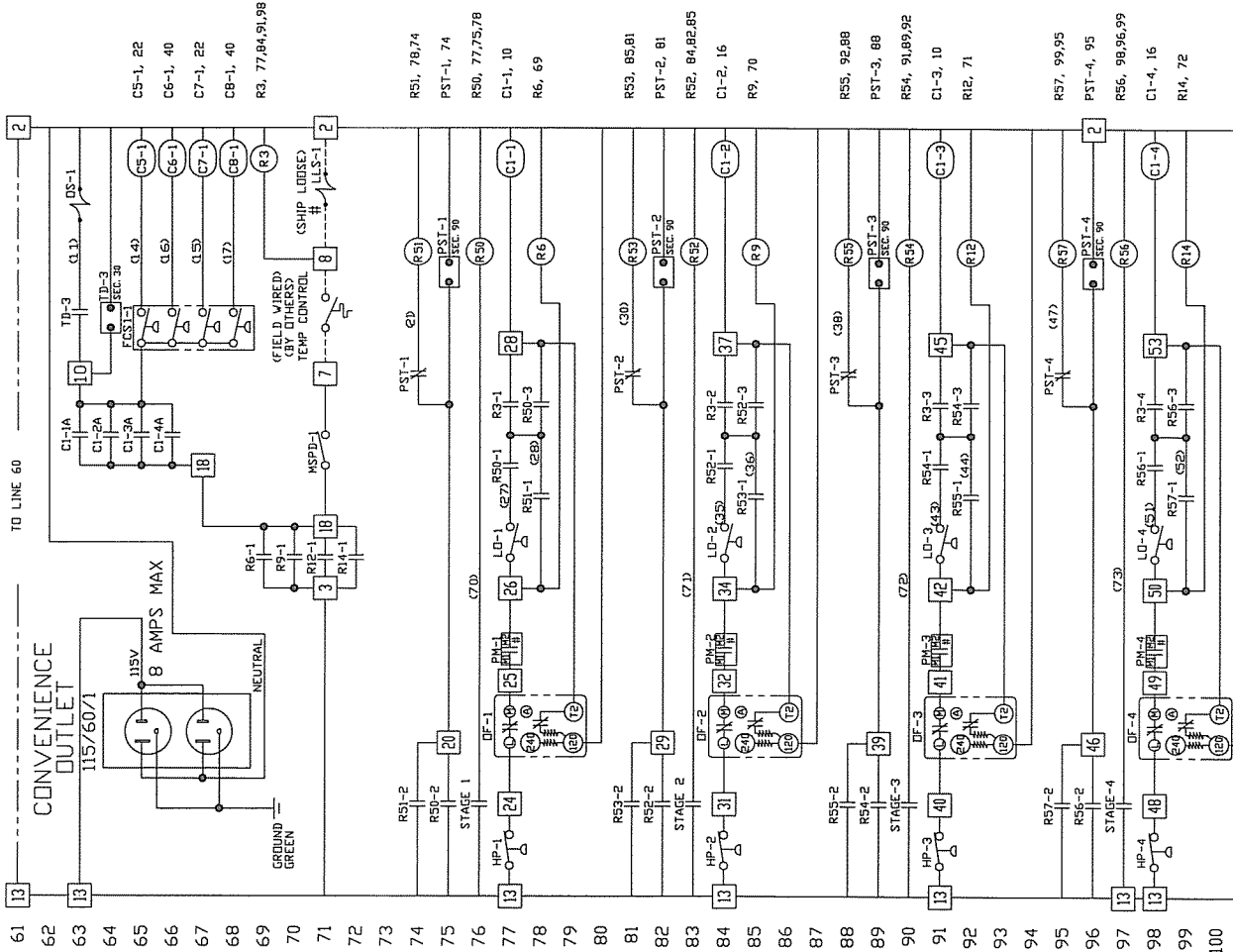
PRESSURE SETTINGS	
LOW TEMP	250
HIGH PRESSURE	400
FREEZE CONTROL	15
UNLOADING	0
FAN CYCLE/FAN DELAY	250
2-STEP FAN CYCLE A	220
2-STEP FAN CYCLE B	250
3-STEP FAN CYCLE A	220
3-STEP FAN CYCLE B	250
4-STEP FAN CYCLE A	220
4-STEP FAN CYCLE B	220
4-STEP FAN CYCLE C	240
4-STEP FAN CYCLE D	250

REVISIONS	
By	Date

SCALE: N/A  
DATE: 10/22/05  
SUB-TITLE: ELECTRICAL SCHEMATIC  
PAGE 1 of 2

TITLE: DM120L7  
DRAWN BY: CAS  
PR: 79796  
DRAWING NUMBER: 79796E1A

NOTES:  
 # REMOTES COMPONENTS LOCATED EXTERNAL OF U/L ENCLOSURE  
 □ INDICATES TERMINAL BLOCK  
 < > INDICATES WIRE NUMBER IDENTIFICATION  
 FIELD WIRING ----- (BY OTHERS)



**LEGEND**

- AA - Audible Alarm
- AG - Alarm Dry Contact
- AD - Alarm Dry Contact
- AM - Ammeter
- C - Contactor
- CD - Contactor Delay
- CE - Contactor Exp. Fan
- CS - Contactor Seal
- CT - Current Transformers
- DD - Diff. Diach. Press. Reg.
- DS - Desuperheat hot gas sol.
- EP - Evap. Press. Reg. Comp. Stat
- ES - Fan Cycle Control
- FD - Fan Delay Thermostat
- F - Flow Switch
- GT - Guaranteed Off Timer
- GR - Ground
- HCC - Heater Cable, Chiller
- HCR - Heater Cable, Receiver
- HCB - Hot Gas Defrost Sol.
- HP - High Oil Level
- HR - High Return Water Temp
- LL - Low Liquid Level
- LLS - Low Limit Press. Switch
- MA - Man. Ammeter Sw.
- MS - Man. Stop Time
- MSL - Man. Stop Lead Leg
- MSL - Man. Stop Lead Leg
- MSP - Man. Stop Pumpdown
- MSP - Man. Stop Pumpdown
- OF - Oil Future Safety
- PH - Power Module
- PM - Power Module, Compressor Box
- PS - Pump Out Solenoid
- R - Relay
- RHS - Reset Controller
- S - Starter
- TC - Temp. Control
- TD - Time Delay
- TC - Time Clock Press. Initiated
- TM - Time Delay
- UPS - Timer Prg. Wind Start
- UPS - Unloading Press. Sw.

FILE # ACAD2005

**PRESSURE SETTINGS**

CONTROL	LOW PRESSURE	HIGH PRESSURE	IN - OUT
FREEZE CONTROL	15	0	
UNLOADING			
FAN CYCLE/FAN RELAY	250	200	
2-STEP FAN CYCLE A	220	200	
3-STEP FAN CYCLE B	250	210	
3-STEP FAN CYCLE A	220	200	
3-STEP FAN CYCLE C	250	210	
4-STEP FAN CYCLE A	250	210	
4-STEP FAN CYCLE C	240	210	
4-STEP FAN CYCLE D	250	230	

**REVISIONS**

No.	By	Date

**SCALE: N/A**

**DATE: 10/22/05**

**ENGINEERING APPROVED BY:**

**SUB-TITLE: ELECTRICAL SCHEMATIC**

**PAGE 2 of 2**

**CENTURY REFRIGERATION**  
 DIVISION RAE CORPORATION

**TITLE: DM120L7**

**DRAWN BY: CAS**

**PR: 79796**

**DRAWING NUMBER: 79796E1B**

**QUALITY CONTROL APPROVED BY:**

AIR COOLED CONDENSING UNIT RATINGS - R-404A LOW TEMP.

EVAP. TEMP.	AIR ON TEMP.	COND. TEMP.	CAPACITY	WATTS	COND. CAP.	AMPS @ 230	EER	COND. T.D.
-40	85	94.5	297356	62674	511388	229.5	4.7	9.5
-40	95	104.0	269593	62854	484240	228.6	4.3	9.0
-40	105	113.5	240606	62145	452830	226.2	3.9	8.5
-40	115	122.8	210963	60530	417674	222.3	3.5	7.8
-35	85	95.8	342190	69117	578223	243.9	5.0	10.8
-35	95	105.3	310455	69981	549439	244.8	4.4	10.3
-35	105	114.6	277827	70034	516995	244.4	4.0	9.6
-35	115	124.0	243176	69240	479629	242.6	3.5	9.0
-30	85	97.1	391729	75540	649697	258.5	5.2	12.1
-30	95	106.5	356053	77061	619216	261.2	4.6	11.5
-30	105	115.9	318387	77849	584241	262.7	4.1	10.9
-30	115	125.2	279037	77860	544928	263.0	3.6	10.2
-25	85	98.5	445730	82015	725811	273.5	5.4	13.5
-25	95	107.9	405349	84180	692824	278.0	4.8	12.9
-25	105	117.2	363000	85666	655550	281.5	4.2	12.2
-25	115	126.4	318609	86453	613845	283.9	3.7	11.4
-20	85	100.0	504219	88603	806799	289.1	5.7	15.0
-20	95	109.4	458657	91404	770802	295.4	5.0	14.4
-20	105	118.6	411235	93563	730752	300.8	4.4	13.6
-20	115	127.8	360833	95107	685624	305.4	3.8	12.8
-15	85	101.6	567180	95366	892855	305.5	5.9	16.6
-15	95	110.9	516469	98767	853758	313.6	5.2	15.9
-15	105	120.1	462975	101613	809983	321.0	4.6	15.1
-15	115	129.2	406597	103889	761377	327.8	3.9	14.2
-10	85	103.3	634534	102362	984099	322.7	6.2	18.3
-10	95	112.5	578215	106353	941409	332.7	5.4	17.5
-10	105	121.6	518704	109853	893852	342.1	4.7	16.6
-10	115	130.7	455172	112882	840663	351.2	4.0	15.7
-5	85	105.1	706202	109653	1080669	341.1	6.4	20.1
-5	95	114.2	643772	114231	1033872	352.9	5.6	19.2
-5	105	123.3	576958	118425	981379	364.6	4.9	18.3
-5	115	132.2	507113	122133	924196	375.8	4.2	17.2
0	85	107.0	782005	117302	1182592	360.8	6.7	22.0
0	95	116.0	712908	122470	1131143	374.6	5.8	21.0
0	105	125.0	638887	127322	1073692	388.4	5.0	20.0
0	115	133.8	561456	131743	1011359	402.0	4.3	18.8

NOTE: CAPACITY BASED ON FIVE DEGREE LIQUID COOLING \*\*\*\*\*

NOTE: E.E.R. IS FOR COMPRESSOR ONLY \*\*\*\*\*