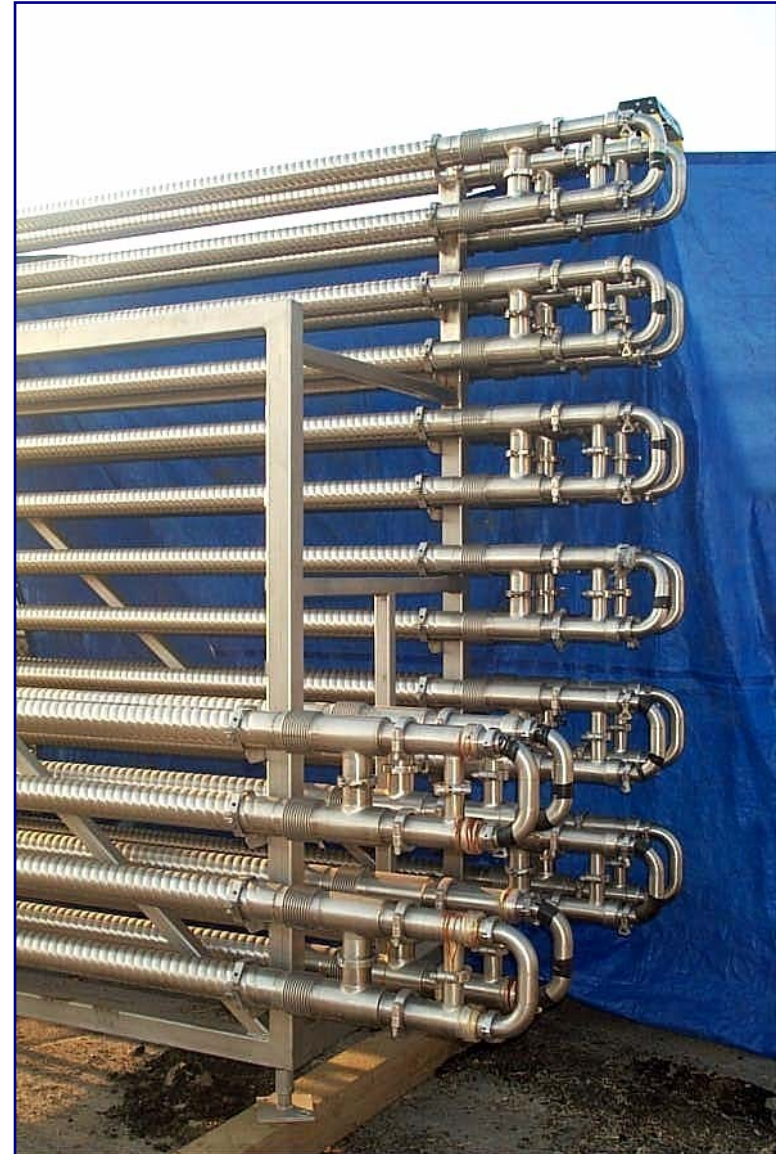


Chiller System, Waukesha Cherry Burrell, Serial 97047YR, 1997, 1st Set 24 passes 7 – 2 ½ inlet –outlets and 2 – 3 ½ in, 2nd Set 8 passes 8 – 2 ½ in inlet-outlet and 2 – 3 ½ in, 10 ft H x 21 ft L x 62 in W

Chiller System



Chiller System, Waukesha Cherry Burrell, Serial 97047YR, 1st Set 24 passes 7 – 2 ½ inlet –outlets and 2 – 3 ½ in, 2nd Set 8 passes 8 – 2 ½ in inlet-outlet and 2 – 3 ½ in, 10 ft H x 21 ft L x 62 in W



CHERRY-BURRELL

CORRUGATED TRIPLE TUBE HEAT EXCHANGER

MODEL: 1 x 16 TTW 4/3/2 - 20' - 304/316 SOFT HEATER
 2" O.D. x 88' HOLD TUBE 316 SS
 1 x 8 TTW 4/3/2 - 20' - 304/316 SOFT COOLER
 1 x 8 TTW 4/3/2 - 20' - 304/316 SOFT COOLER

ORDER NO: 97047Y R

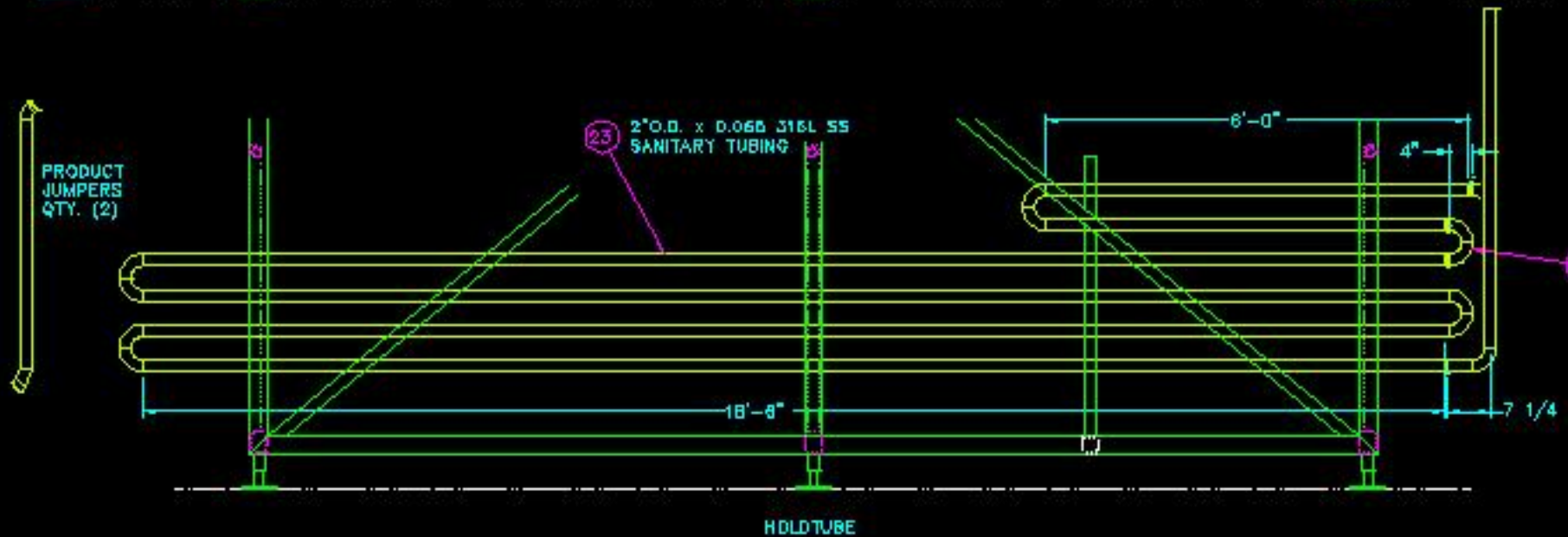
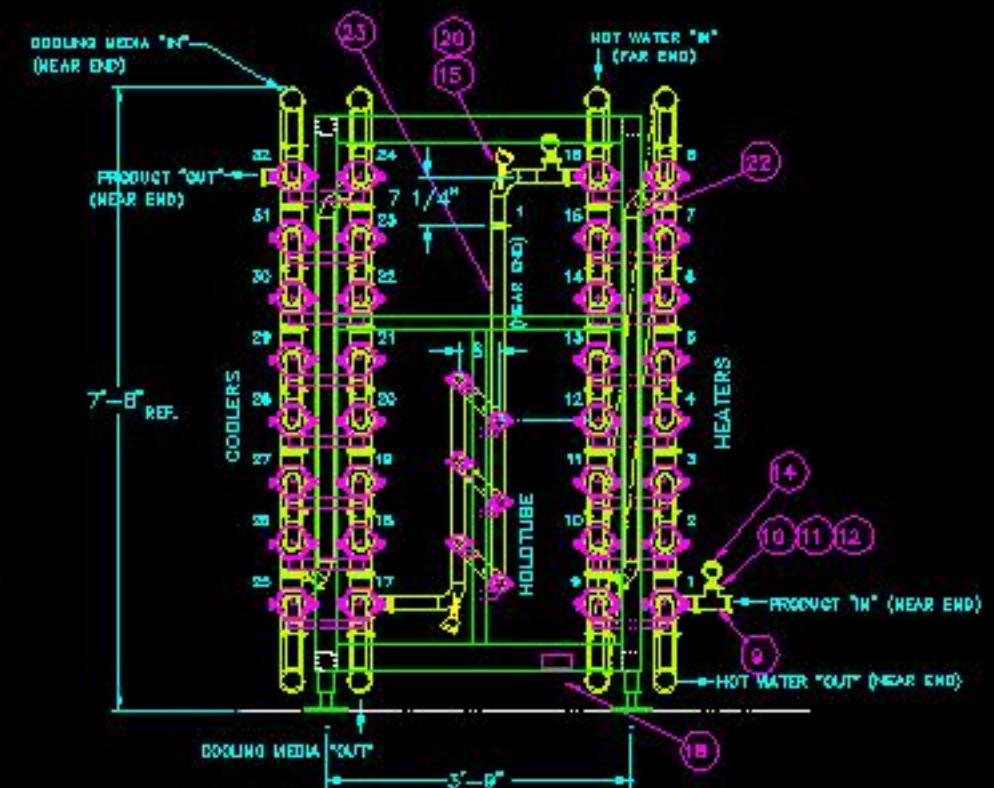
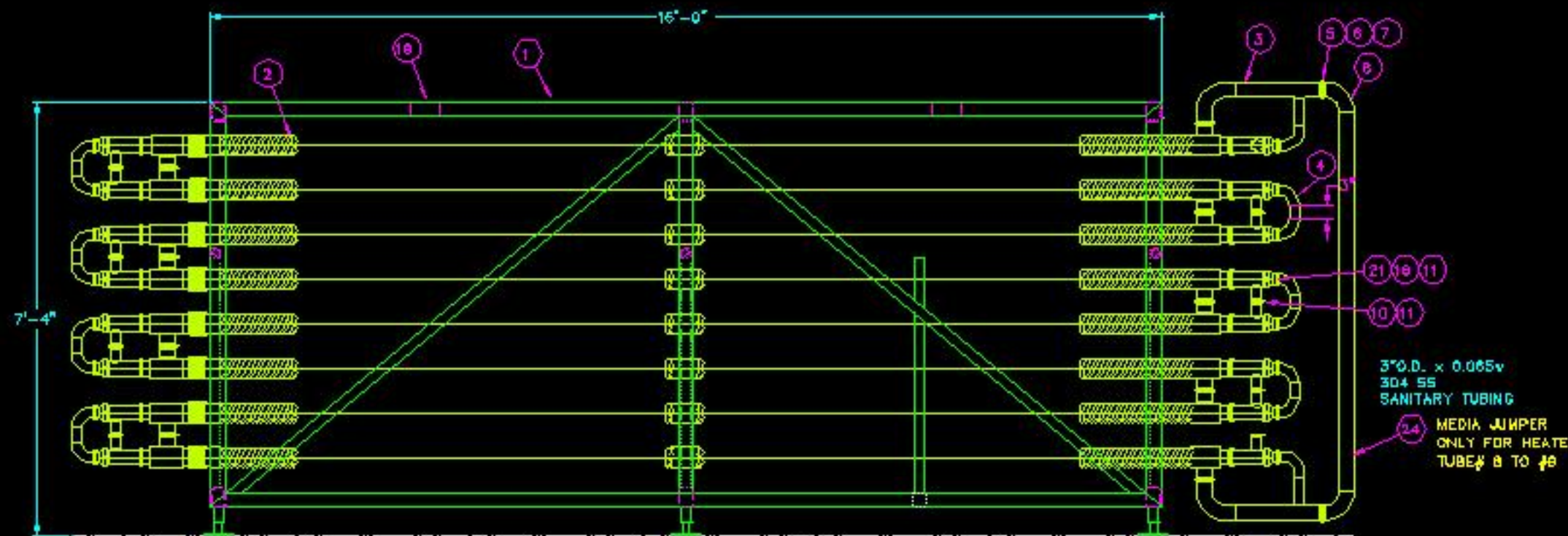
DUTY			
FLUIDS	FLOWRATE	TEMPERATURE	PRESS. DROP (psid)
HEATER			
RHINO SMOOTHIE	25 GPM	40 F → 195 F	18 PSI
HOT WATER	100 BPM	210 F → 171 F	26 PSI
COOLER			
RHINO SMOOTHIE	25 GPM	126 F → 36 F	18 PSI
GLYCOL	147 BPM	23 F → 59 F	58 PSI
HEATER			
MAYBERRY	25 GPM	40 F → 198 F	25 PSI
HOT WATER	100 BPM	210 F → 171 F	38 PSI
COOLER			
MAYBERRY	25 GPM	198 F → 31 F	41 PSI
GLYCOL	200 BPM	30 F → 30.5 F	18 PSI

MATERIAL OF CONSTRUCTION	
OUTER TUBE	1" - 316 STAINLESS STEEL SANITARY
INNER TUBES	2" & 3" - 316 STAINLESS STEEL SANITARY POURIED I.D. & O.D.

DESIGN DATA:		
PRODUCT SIDE	DESIGN PRESSURE	TEST PRESSURE
MEDIA SIDE	3.75PSI @ 250 F	580PSI @ 70 F
	55PSI @ 250 F	85PSI @ 70 F

CONNECTIONS		
ITEM	SIZE	TYPE
PRODUCT	2" W LINE	
MEDIA	3" W LINE	

WEIGHTS	
DRY WEIGHT	4975 LB
FLOODED WEIGHT	7915 LB
VOLUME OF PRODUCT	123 U.S.GAL. APPL.
VOLUME OF MEDIA	246 U.S.GAL. APPL.
FRAME WT.	1200 LB. APPL.



NOTE:
 TO ENSURE PROPER HEAT TRANSFER TO THE PRODUCT, IT IS IMPERATIVE TO CONNECT MEDIA FLUID IN A COUNTER CURRENT FLOW PATTERN TO THE PRODUCT FLOW AS DETAILED IN THE DRAWING.
 ALL 180° BENDS AND MEDIA JUMPERS TO BE FABRICATED IDENTICALLY FOR INTERCHANGEABILITY.
 HYDRO TEST THE PRODUCT AND MEDIA SIDE PER DESIGN DATA CHANGE THE CONFIGURATION PER CT-97147-1 BEFORE SHIPPING.

PARTS TO BE SHIPPED LOOSE

FRAME STRUCTURE COMPLIES WITH SEISMIC 4 CODE REQUIREMENTS

KMR 87047YR
 RAV 3/12/97

TROPICANA (RAPTOR PROJECT)
 (32) TTW 4/3/2 25 GPM

CT97047