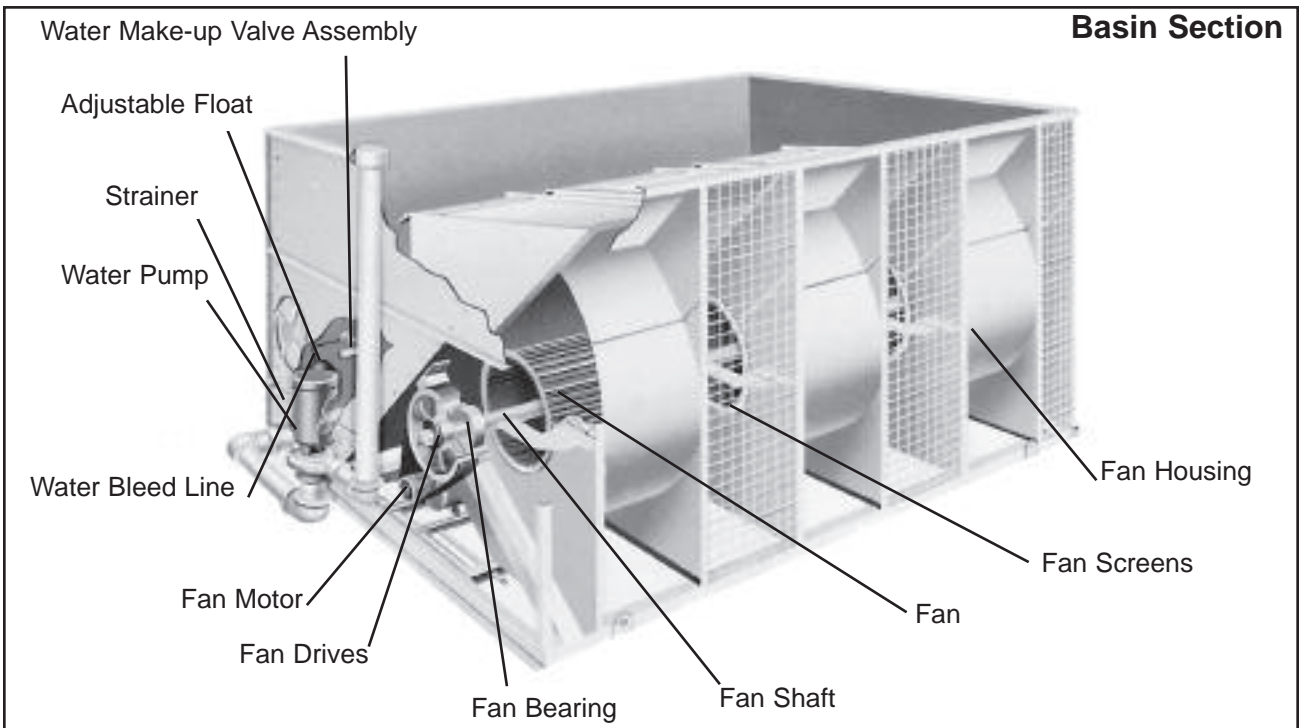
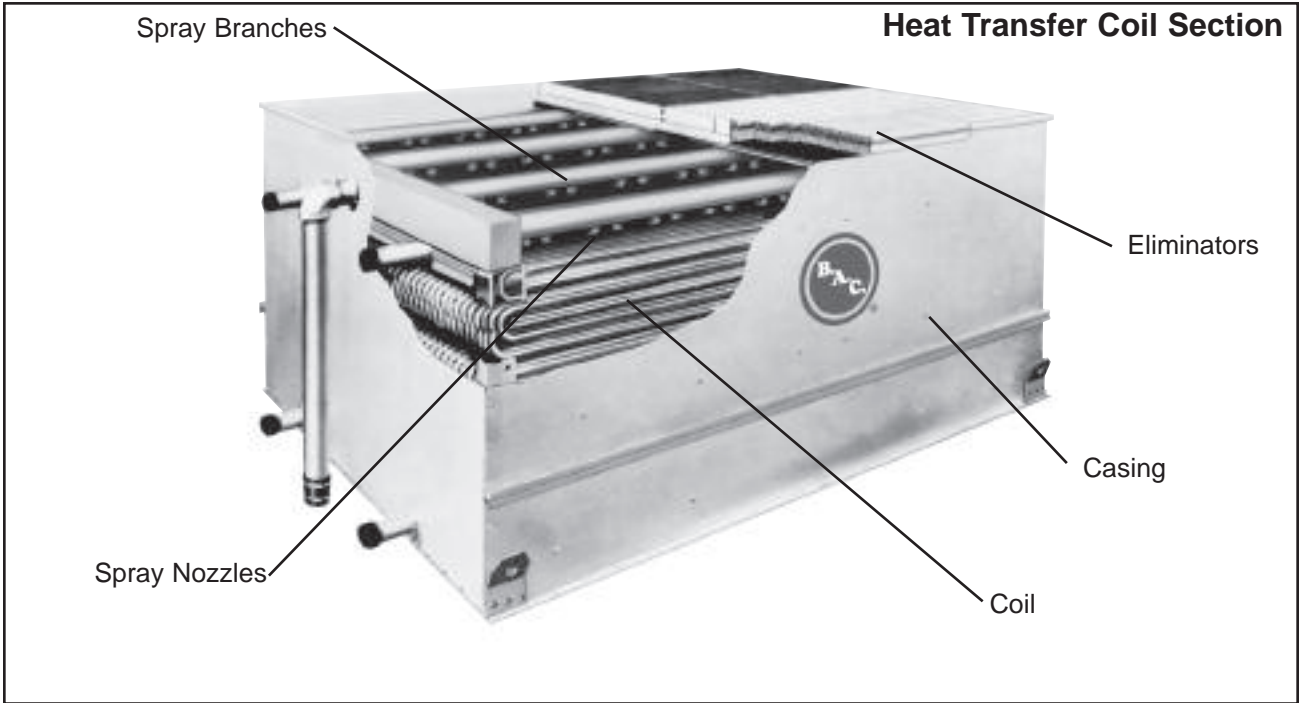


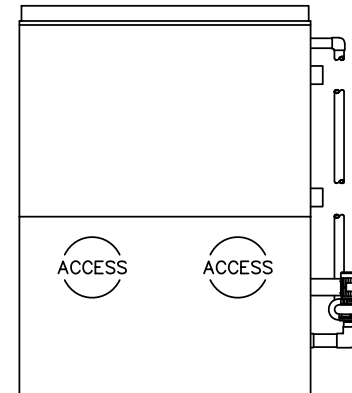
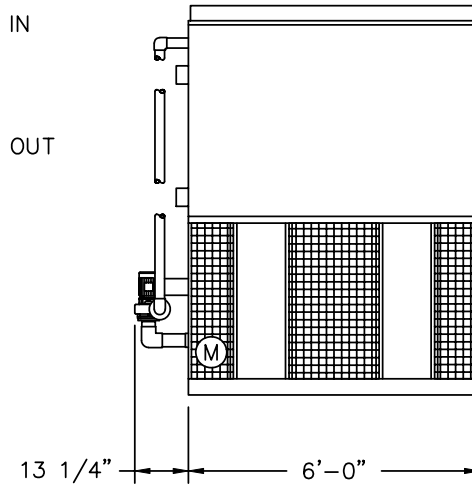
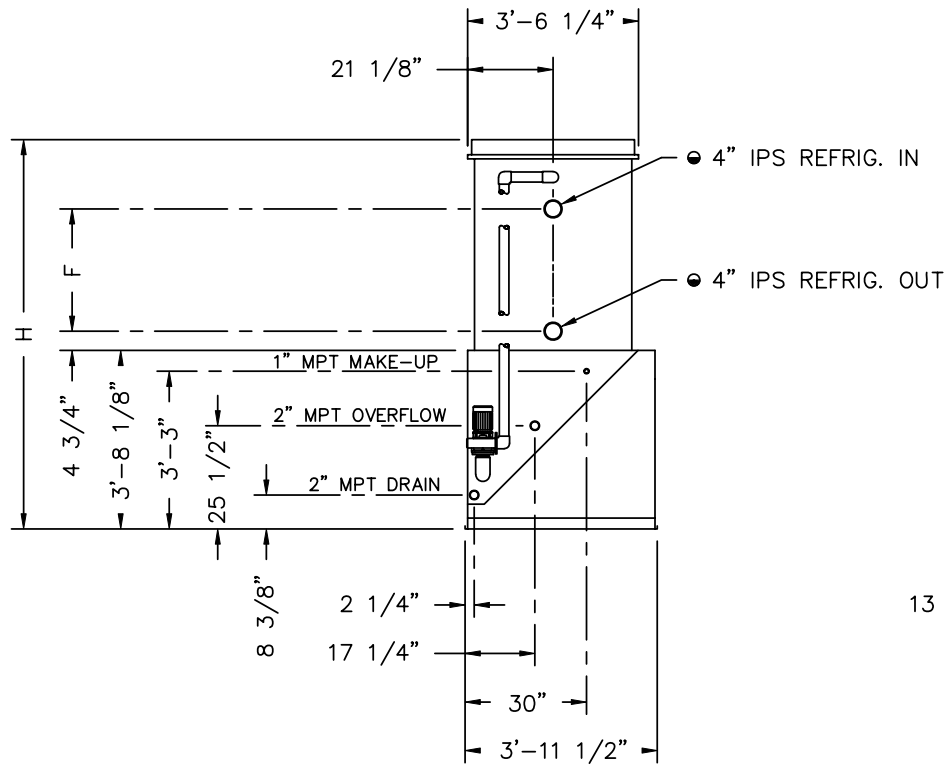
Construction Details

Series V

Model VF1 Closed Circuit Cooling Towers

Model VC1 Evaporative Condensers





● IPS BEVELED FOR WELDING.

Ⓜ FAN MOTOR LOCATION.

▲ UNIT NORMALLY SHIPS IN ONE PIECE.

MODEL NO.	APPROX. SHIPPING WEIGHT	APPROX. OPERATING WEIGHT	HEAVIEST SECTION (COIL)	F	H
VC1-30	2010	2300	2010 ▲	13 1/4"	6'-7 1/4"
VC1-38	2240	2560	2240 ▲	21 3/4"	7'-3 3/4"
VC1-46	2540	2880	1650	30 1/4"	8'-0 1/4"
VC1-52	2590	2930	1700	30 1/4"	8'-0 1/4"
VC1-58	2860	3230	1940	38 3/4"	8'-8 3/4"
VC1-65	2930	3300	2010	38 3/4"	8'-8 3/4"

NOTES:

1. ALL DIMENSIONS ARE IN FEET AND INCHES. WEIGHTS ARE IN POUNDS.
2. UNLESS OTHERWISE INDICATED, ALL CONNECTIONS 6 INCHES AND SMALLER ARE MPT AND CONNECTIONS 8 INCHES AND LARGER ARE BEVELED FOR WELDING.
3. DIMENSIONS SHOWING LOCATION OF COIL CONNECTIONS ARE APPROXIMATE AND SHOULD NOT BE USED FOR PREFABRICATION OF CONNECTING PIPING.
4. FOR SUPPORT REQUIREMENTS, REFER TO THE SUGGESTED STEEL SUPPORT DRAWING.

B.A.C.
ORDER NO:

DATE:



BALTIMORE AIRCOIL
COMPANY

RIGHT HAND UNIT
SIDE OUTLET WITH PUMP
FULL CIRCUIT
DRAWING NUMBER:
BAC-9827 A