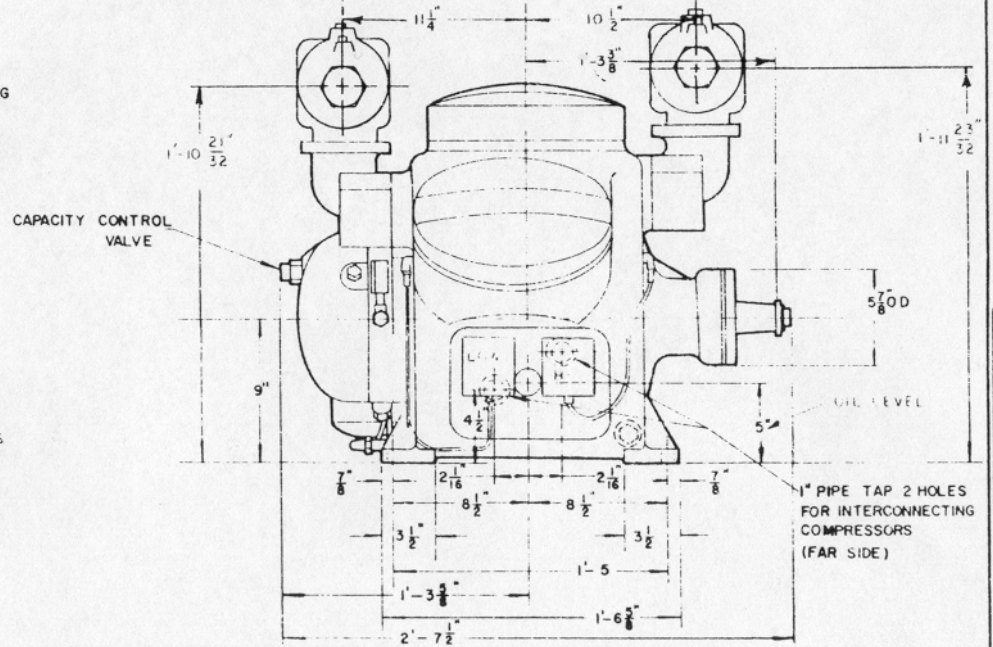
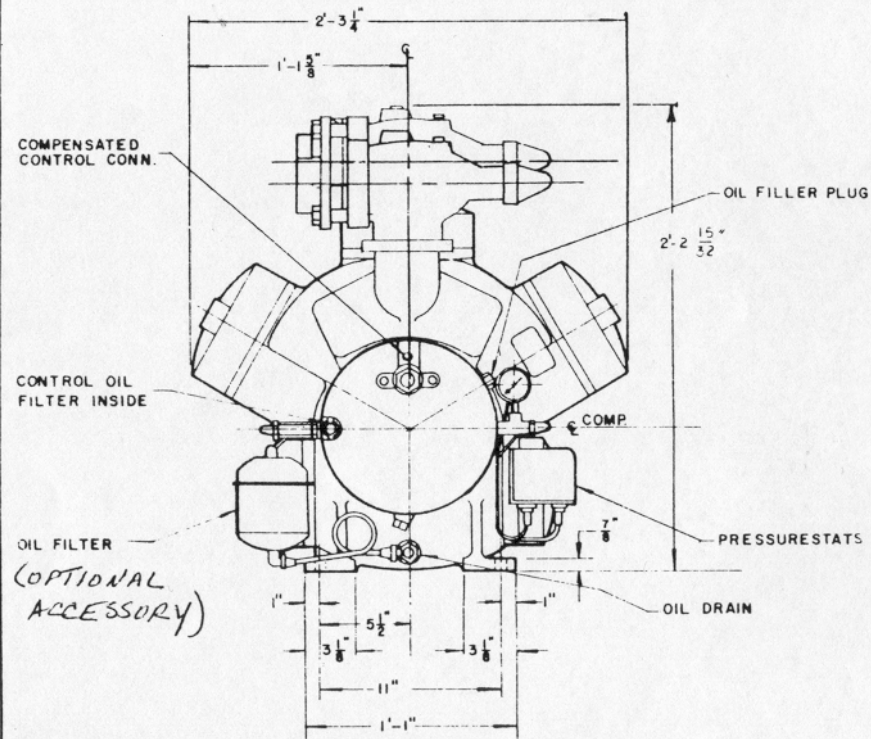
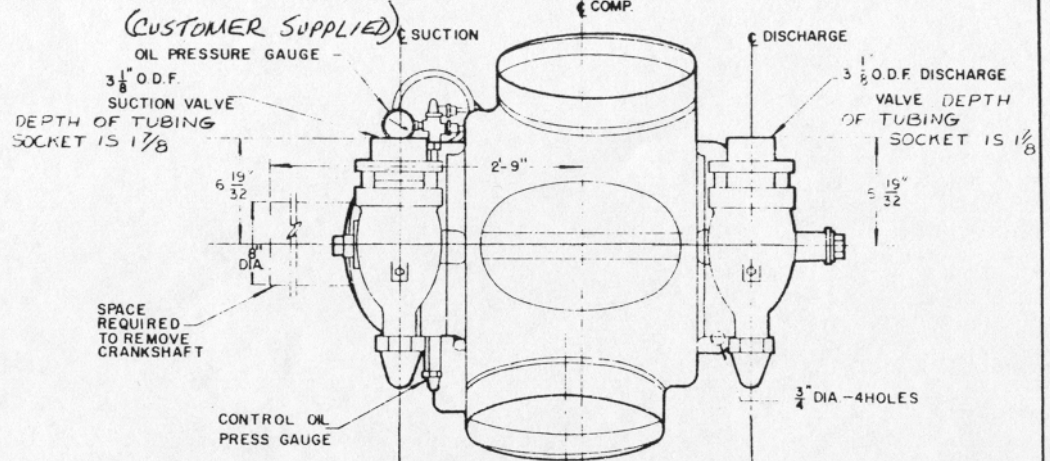


NOTES:

1. SHAFT DETAIL DRAWING 5F-531
2. COMPRESSOR MAY BE OPERATED IN EITHER DIRECTION OF ROTATION. STANDARD ROTATION IS COUNTER CLOCKWISE LOOKING FROM THE PUMP END; FOR REVERSE ROTATION ROTATE OIL PUMP 180°.
3. NET WEIGHT 795 LBS. INCLUDES OIL BUT NOT REFRIGERANT CHARGE.

	YES	NO
FLYWHEEL	<input type="checkbox"/>	<input type="checkbox"/>
WATER COOLED HEADS	<input type="checkbox"/>	<input type="checkbox"/>
CRANKCASE COVER PLATES FOR COMPRESSOR INTERCONNECTION	<input type="checkbox"/>	<input type="checkbox"/>



THIS DRAWING IS THE PERSONAL PROPERTY OF  
 CARRIER AIR CONDITIONING COMPANY  
 DIVISION OF CARRIER CORPORATION, SYCAMORE, N.Y.  
 ALL USE IS PROHIBITED EXCEPT ON ITS WRITTEN CONSENT

5H

<b>COMPRESSOR</b>		<b>COMPRESSOR ASSEMBLY</b>	
MARK FOR PART NO. _____ TYPE DRIVE: <input type="checkbox"/> DIRECT <input type="checkbox"/> BELT RPM _____ DESIGN BHP INPUT _____ MOTOR HP _____ SAT SUCTION TEMP. _____ F. SAT DISCHARGE TEMP _____ F REFRIGERATION EFFECT _____ TONS. REFRIGERANT NO. _____		JOB NAME _____ JOB LOCATION _____ BUYER _____ BUYER NO. _____ CARRIER NO. _____ DIMENSIONS CERTIFIED BY _____ DATE _____	
DATE <i>1 P.M.</i> 3-20-73	SUPERSEDES 5H-060, DATED 12-1-67	5H60 & 5H66	5H60-A201