

Fig 1.

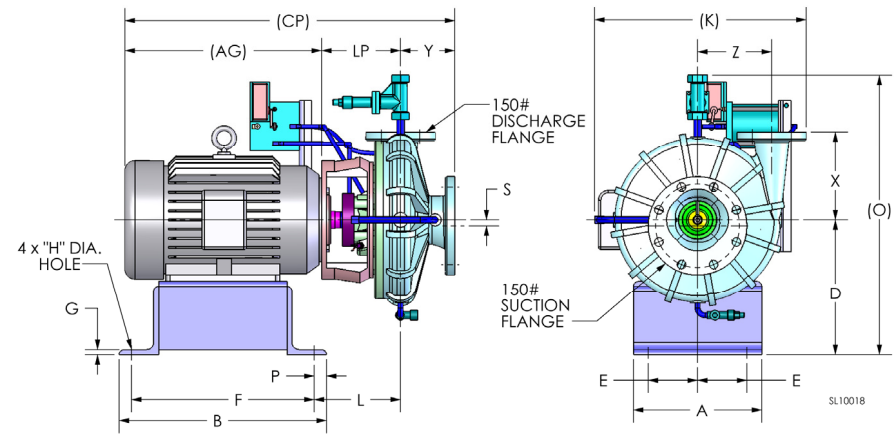


Fig 2.

NOTES:

1. Motor dimensions are TEFC NEMA standard.
2. Motor dimensions may vary depending on manufacturers.
3. Flange connection dimension can vary $\pm .12$ inch.
4. Do not use for construction unless certified.
5. Overall dimensions can vary $\pm .12$ inch.

MOTOR DIMENSIONS			
HORSEPOWER		NEMA FRAME	AG
1200 RPM	1800 RPM		
2CB	1.5CBH		
2CBS/CBSR	2CB 2CBS/CBSR		
-	3 - 5	182/4	13.62
3 - 5	7.5 - 10	213/5	15.51

PUMP DIMENSIONS																				
MODEL	CONNECTION		NEMA FRAME	FIG.	A	B	CP	D	E	F	G	H	K	L	LP	S	O	X	Y	Z
	DISCH.	SUCT.																		
1.5CBH	1.5	4	182/4	1	10	13	25.64	11	4	11	0.31	0.56	19.31	4.03	7.25	0.5	25.38	8	4.77	7
	1.5	4	213/5	2	13	21	30.52	12.75	5	18.5	0.5	0.75	19.31	6	7.25	0.5	27.13	8	4.77	7
2CB	2	4	182/4	1	10	13	25.31	11	4	11	0.31	0.56	16.94	3.65	7.19	0.5	23.75	7.5	4.5	5.5
	2	4	213/5	2	13	21	30.19	12.75	5	18.5	0.5	0.75	16.94	5.94	7.19	0.5	25.75	7.5	4.5	5.5
2CBS 2CBSR	2	4	182/4	1	10	13	25.31	11	4	11	0.31	0.56	16.94	3.65	7.19	0.5	23.75	7.5	4.5	5.5

6/25/10



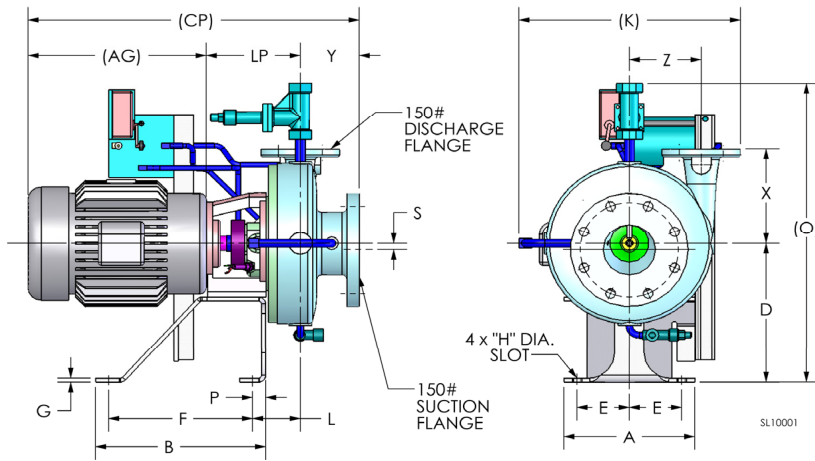


Fig 1.

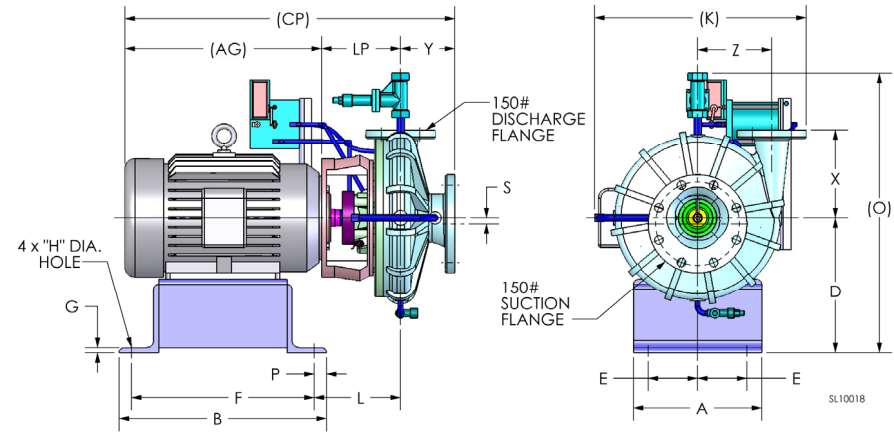


Fig 2.

NOTES:

1. Motor dimensions are TEFC NEMA standard.
2. Motor dimensions may vary depending on manufacturers.
3. Flange connection dimension can vary $\pm .12$ inch.
4. Do not use for construction unless certified.
5. Overall dimensions can vary $\pm .12$ inch.

MOTOR DIMENSIONS			
HORSEPOWER		NEMA FRAME	AG
1200 RPM	1800 RPM		
2CB	1.5CBH		
2CBS/CBSR	2CB 2CBS/CBSR		
-	3 - 5	182/4	13.62
3 - 5	7.5 - 10	213/5	15..51

PUMP DIMENSIONS																				
MODEL	CONNECTION		NEMA FRAME	FIG.	A	B	CP	D	E	F	G	H	K	L	LP	S	O	X	Y	Z
	DISCH.	SUCT.																		
1.5CBH	40	100	182/4	1	254	330.2	651.3	279.4	101.6	279.4	7.874	14.22	490.5	102.4	184.2	12.7	644.7	203.2	121.2	177.8
	40	100	213/5	2	330.2	533.4	775.2	323.9	127	469.9	12.7	19.05	490.5	152.4	184.2	12.7	689.1	203.2	121.2	177.8
2CB	50	100	182/4	1	254	330.2	642.9	279.4	101.6	279.4	7.874	14.22	430.3	92.71	182.6	12.7	603.3	190.5	114.3	139.7
	50	100	213/5	2	330.2	533.4	766.8	323.9	127	469.9	12.7	19.05	430.3	150.9	182.6	12.7	654.1	190.5	114.3	139.7
2CBS 2CBSR	50	100	182/4	1	254	330.2	642.9	279.4	101.6	279.4	7.874	14.22	430.3	92.71	182.6	12.7	603.3	190.5	114.3	139.7

6/25/10

