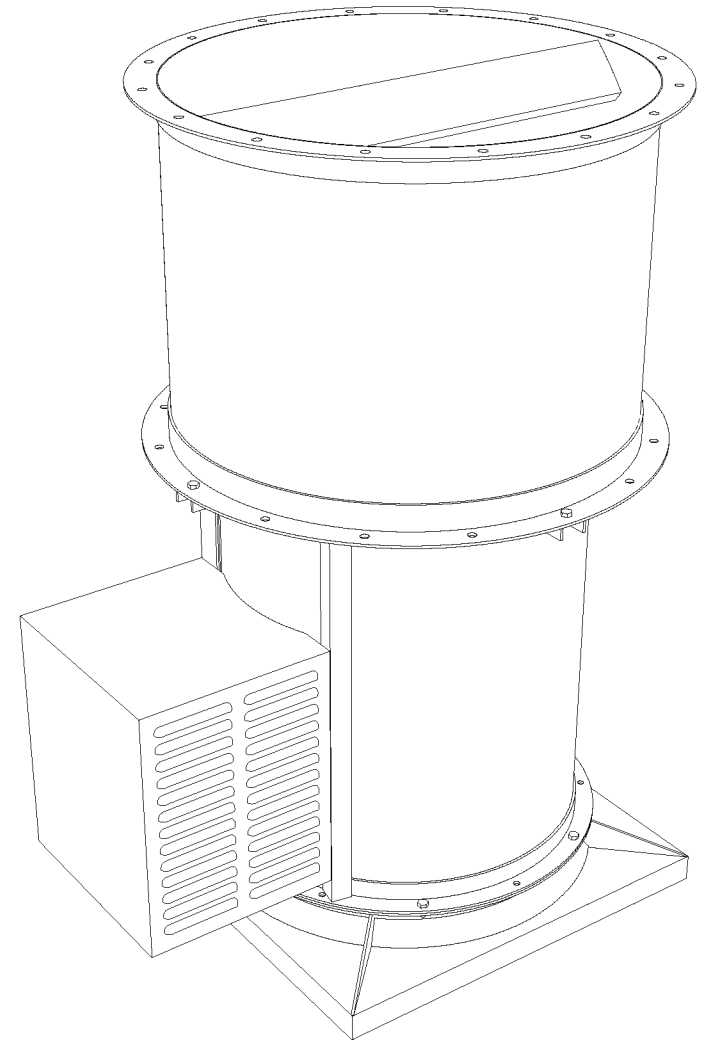
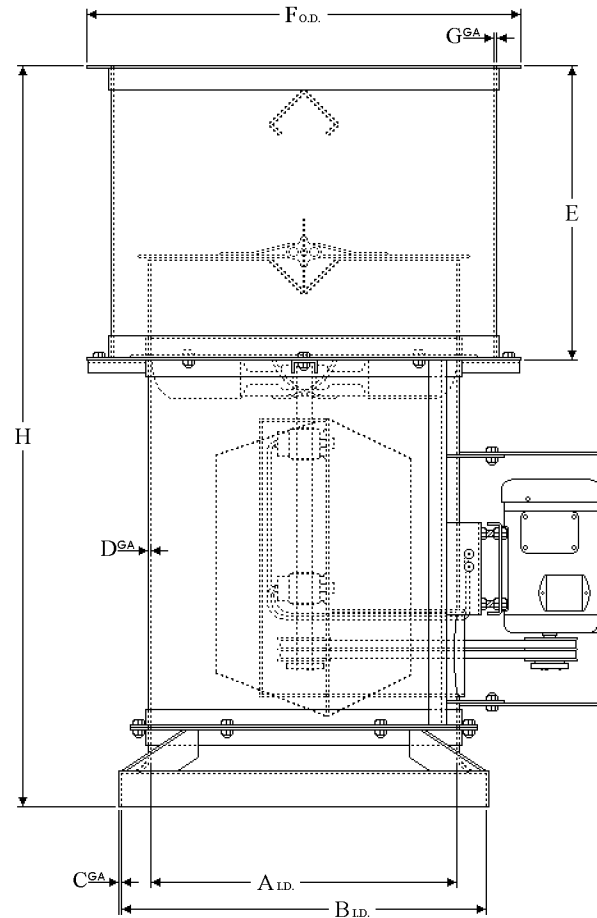
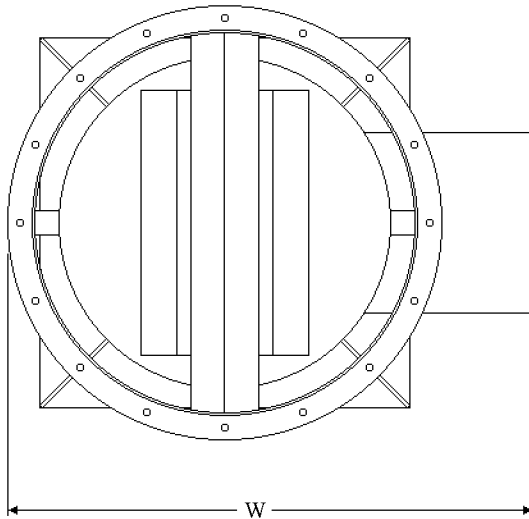


BELT DRIVE TUBEAXIAL STACK CAP ROOF VENTILATOR

DIMENSIONS for Steel Construction

FAN SIZE	A	B	C	D		E	F	G	H
				std	max				
24	25 $\frac{1}{16}$	29 $\frac{7}{8}$	14	14	$\frac{1}{4}$	24	35 $\frac{1}{2}$	16	61
30	31 $\frac{1}{16}$	35 $\frac{7}{8}$	14	14	$\frac{1}{4}$	27	41 $\frac{1}{2}$	16	67
36	37 $\frac{1}{16}$	41 $\frac{7}{8}$	14	14	$\frac{1}{4}$	30	47 $\frac{1}{2}$	16	74
42	43 $\frac{1}{16}$	47 $\frac{7}{8}$	14	14	$\frac{1}{4}$	33	53 $\frac{1}{2}$	16	80
48	49 $\frac{1}{16}$	53 $\frac{7}{8}$	14	14	$\frac{1}{4}$	36	59 $\frac{1}{2}$	16	86
54	55	59 $\frac{7}{8}$	14	12	$\frac{1}{4}$	39	65 $\frac{1}{2}$	16	93
60	60 $\frac{1}{16}$	65 $\frac{7}{8}$	14	10	$\frac{1}{4}$	42	71 $\frac{1}{2}$	16	99



AIRFOIL IMPELLERS

P.O.Box 9966
College Station, TX 77842
PHONE: (979) 822-6418
FAX: (979) 775-5588

TITLE: Stack Cap Roof Ventilator

NOTE: Dimensions shown are subject to change. Please contact factory if a certified drawing is needed.

*W is dependent on motor frame.
©2003 Airfoil Impellers Corp.

web: <http://www.airfoil.com>

email: sales@airfoil.com

