

NOTES:

1. MAKE-UP WATER PRESSURE 20 psi MIN. 50 psi MAX.
2. 3/4" DIA. MOUNTING HOLES. REFER TO RECOMMENDED STEEL SUPPORT DRAWING.
3. HEAVIEST SECTION IS UPPER SECTION.
4. MPT DENOTES MALE PIPE THREAD.
FPT DENOTES FEMALE PIPE THREAD.
BFW DENOTES BEVELED FOR WELDING.

WEIGHTS			NO. SHIPPING SECTIONS
SHIPPING	OPER.	HEAVIEST SECTION	
9380	16890	6180	2

MODEL NUMBER: AT 12-218B COOLING TOWER

CERTIFIED FOR

CUSTOMER ORDER NO. #270507

CAPACITY 1,500 GPM

FAN MOTOR HP 1) 25 HP Inverter Duty

INLET PRESSURE 1.6

REMARKS: Vibration Rails, Ladder w/3' Extension, Sump Sweeper Piping

EVAPCO NO. #97-7210/11W

G.P.M. 95 ° IN 85 ° OUT 78 ° E.W.B.

ELEC. SPEC. 460/3/60 TEAO

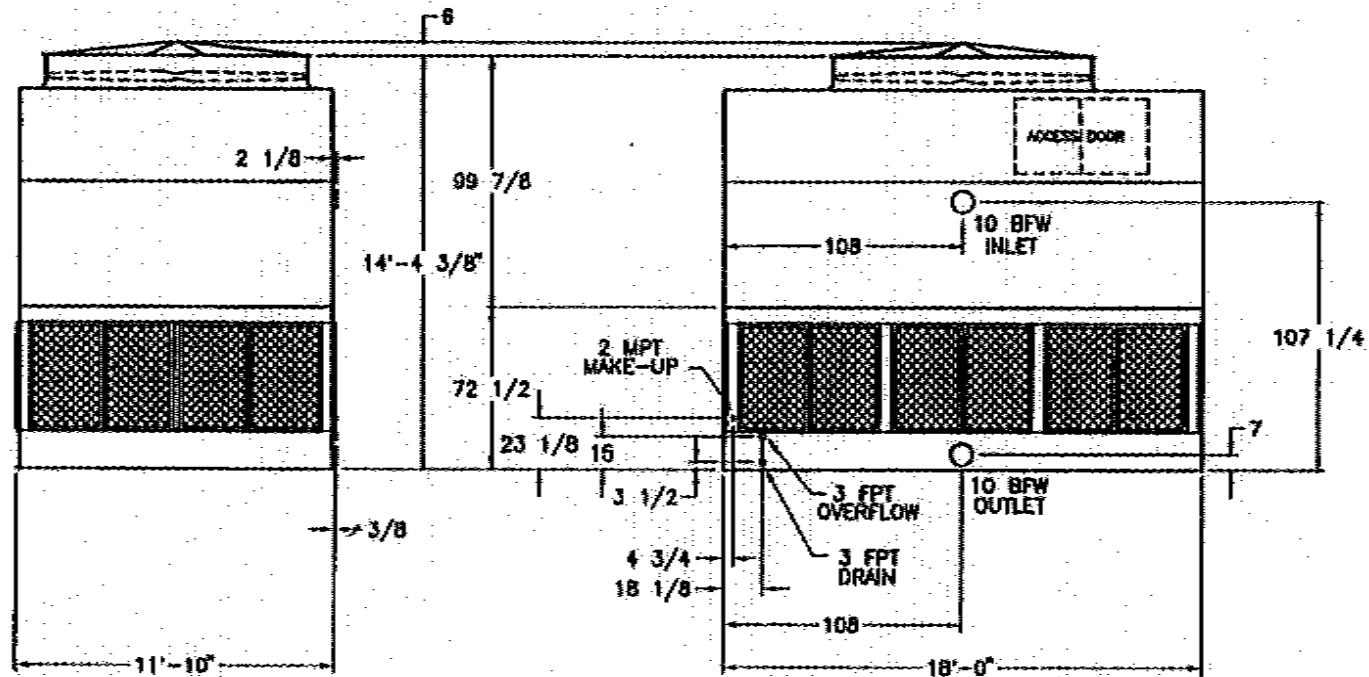
P.S.I.G. 0" ESP



COOLING TOWER

TA121824ERB-21

CELL III



NOTES:

1. MAKE-UP WATER PRESSURE 20' psf MIN. 50' psf MAX.
2. 3/4" DIA. MOUNTING HOLES. REFER TO RECOMMENDED STEEL SUPPORT DRAWING.
3. HEAVIEST SECTION IS UPPER SECTION.
4. MPT DENOTES MALE PIPE THREAD.
FPT DENOTES FEMALE PIPE THREAD.
BFW DENOTES BEVELED FOR WELDING.

WEIGHTS			NO. SHIPPING SECTIONS
SHIPPING	OPER.	HEAVIEST SECTION	
9380	16890	6180	2

MODEL NUMBER: AT 12-218B COOLING TOWER

CERTIFIED FOR _____

CUSTOMER ORDER NO. _____

EVAPCO NO. #97-7212W

CAPACITY 1,500 GPM

G.P.M. 95 ° IN 85 ° OUT 78 ° E.W.B.

FAN MOTOR HP 1.25 HP Inverter Duty

ELEC. SPEC. 460/3/60 TEAO

INLET PRESSURE 1.6

P.S.I.G. 0" ESP

REMARKS: Vibration Rails, Ladder w/3' Extension, Sump Sweeper Piping



COOLING TOWER

REV

DATE

TA121824ERB-ST