

CONFIDENTIAL

This document is the property of Evapco, Inc. It should not be copied or disclosed without prior written authorization.

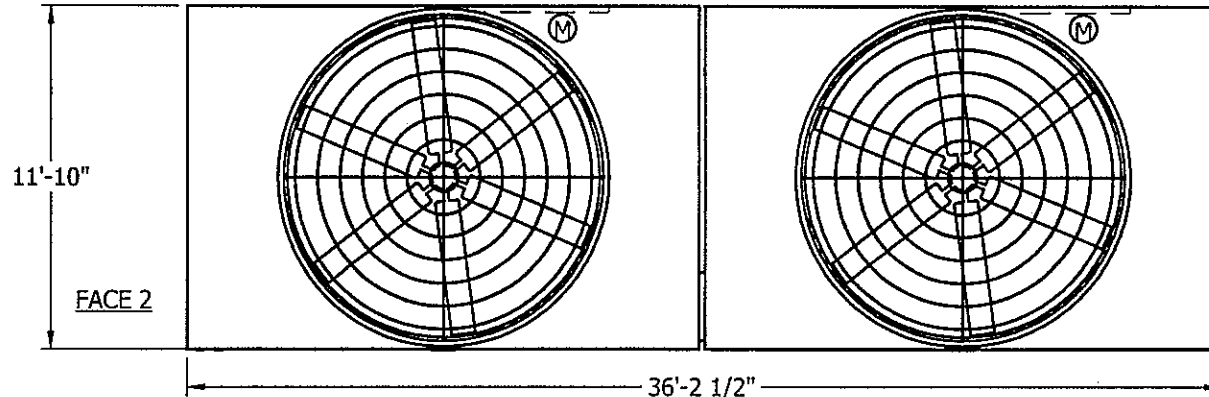
EVAPCO, INC.



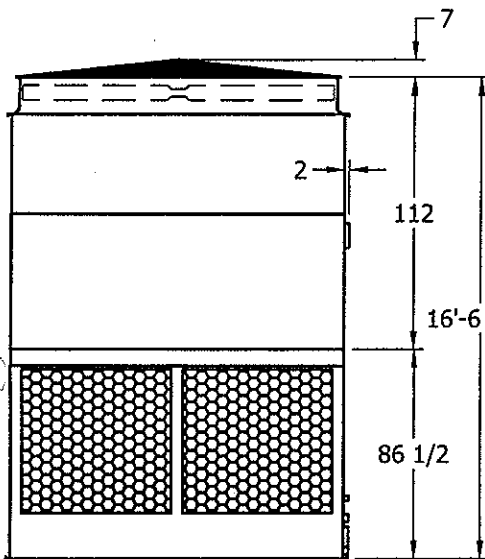
UNIT	COOLING TOWER	MODEL #	USS 212-336	SCALE	NTS	DWG. #	T2123636-ERC-ST	REV.	-	DATE	06/06/02	SERIAL #	M025334
------	----------------------	---------	-------------	-------	-----	--------	-----------------	------	---	------	----------	----------	---------

NOTES:

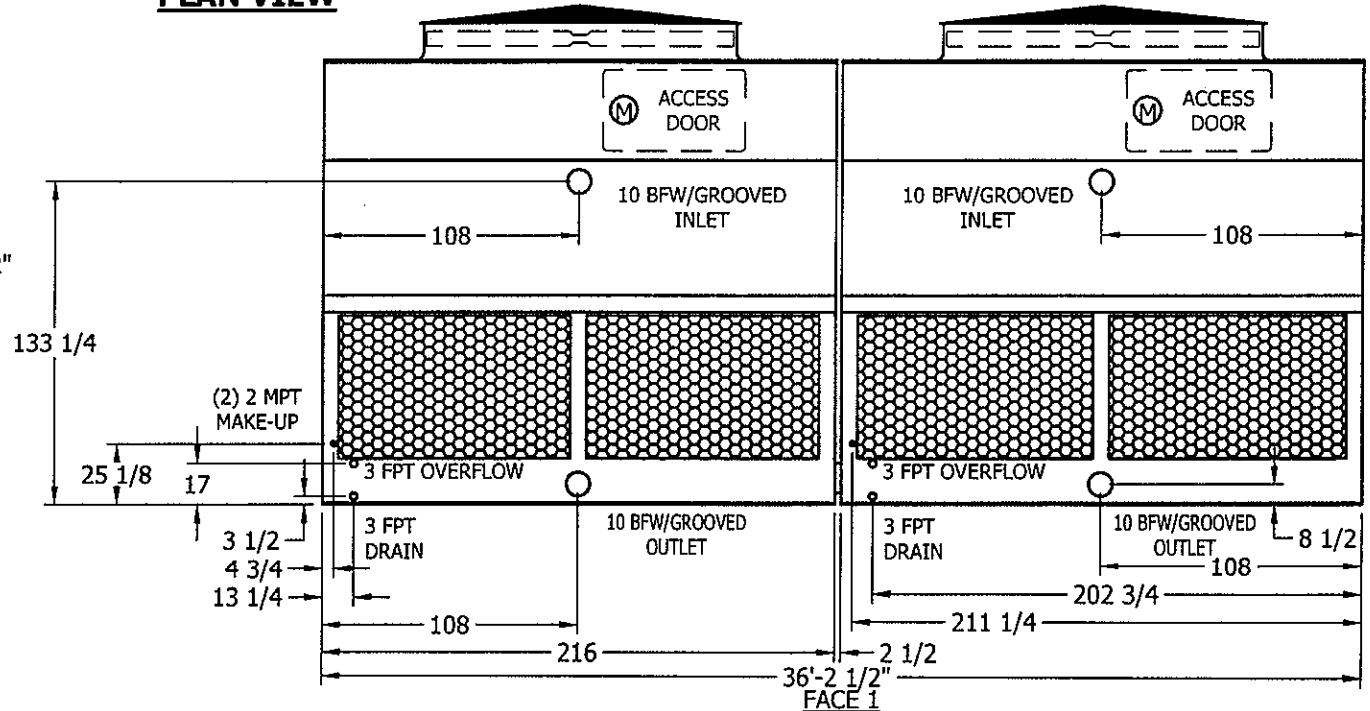
1. (M) - FAN MOTOR LOCATION
2. HEAVIEST SECTION IS UPPER SECTION
3. MPT DENOTES MALE PIPE THREAD
FPT DENOTES FEMALE PIPE THREAD
BFW DENOTES BEVELED FOR WELDING
4. + UNIT WEIGHT DOES NOT INCLUDE ACCESSORIES (SEE SEPARATE DRAWINGS FOR ACCESSORIES)
5. 3/4" DIA. MOUNTING HOLES. REFER TO RECOMMENDED STEEL SUPPORT DRAWING
6. MAKE-UP WATER PRESSURE-20 psi MIN, 50 psi MAX



**FACE 1
PLAN VIEW**



FACE 2



FACE 1

SHIPPING WEIGHT	22780	lbs. +	OPERATING WEIGHT	41320	lbs.	HEAVIEST SECTION WEIGHT	7700	lbs.	NO. OF SHIPPING SECTIONS	4
-----------------	-------	--------	------------------	-------	------	-------------------------	------	------	--------------------------	---