

PATTERSON

P.O.# 5442-10

SEE DWG. D0508-2 FOR STAND DETAIL & SUMP CUTAWAY

S	1	3/4"	CPLG.	3000 #	SA105	THERMOMETER WELL
R	1	3/4"	CPLG.	3000 #	SA105	RELIEF VALVE

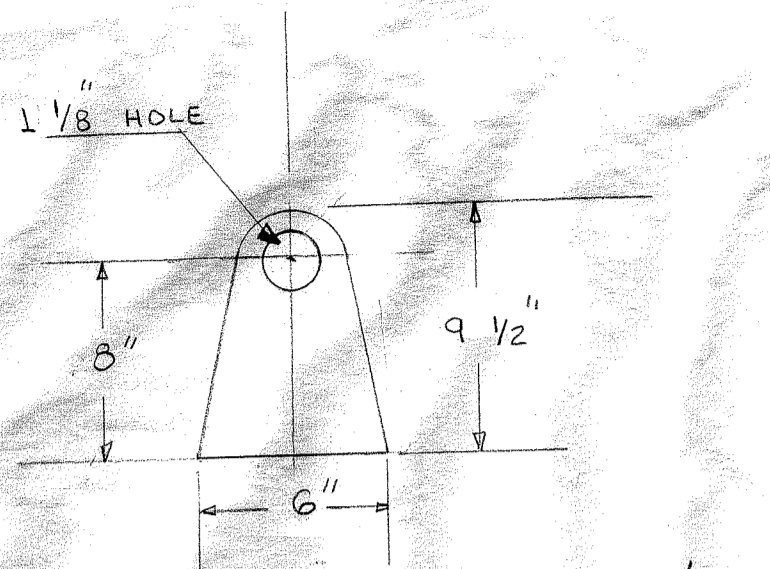
BILL OF MATERIALS							INTERNALS, SUPPORTS					
ITEM	QTY	SIZE	TYPE	RATING	MATERIAL	SERVICE	LGTH	REINFORCEMENT	ITEM	QTY	DESCRIPTION	MATERIAL
Q	1	3/4"	CPLG.	3000 #	SA105	PRESSURE GAGE						
P	1	3/4"	CPLG.	3000 #		OIL POT EQUALIZING						
O	1	3/4"	CPLG.	3000 #		PURGE						
N	3	1"	CPLG.	3000 #		NOZZLE SCHEDULE SPARE						
M	1	1"	CPLG.	3000 #		EQUALIZING			12			
L	2	1 1/2"	CPLG.	3000 #		SPARE			11			
K	3	1"	CPLG.	3000 #		PUMP VENT			10			
J	3	1"	CPLG.	3000 #		RELIEF			9			
H	3	1 1/2"	PIPE	S/80	SA533B OR 106B	PUMP BY-PASS	16"		8	1	1 1/2" x S/80 PIPE x 30" LONG	SA106B
G	2	1 1/2"	PIPE	S/80		COLUMN	10"		7	1	1 1/2" x S/80 x 90° LR ELL	SA234WPB
F	1	1 1/2"	PIPE	S/80		OIL DRAIN	10"		6	1	42" O.D. 2:1 ELLIP (.313" MIN) HEAD	SA516-70
E	1	42"	PLATE	-375"	SA516-70	SUMP	80"	50" x 3/4"	5	6	1 1/2" x S/40 x 90° LR ELL	SA234WPB
D	1	2 1/2"	PIPE	S/40	SA533B OR 106B	LIQUID INLET	10"		4	2	2 1/2" x S/40 x 90° LR ELL	
C	3	6"	PIPE	S/40		PUMP SUCTION	10"		3	1	ASME DATA BRKT-STD.	SA36
B	2	12"	PIPE	STD.	-375"	WET RETURN	24"	18" x 3/8"	2	2	LIFT LUG (SEE DETAIL D0508-2)	SA516-70
A	1	12"	PIPE	STD.	-375"	DRY RETURN	13"	18" x 3/8"	1	2	12" x S/30 PIPE x 90" LONG.	SA533B

REVISIONS			TITLE	
NO	DATE	BY	78" O.D. x 9'-6" (HORIZ.) 150# ASME RECIRCULATOR	
1	9-11-87	JNN		
2				
3				
4				
5				

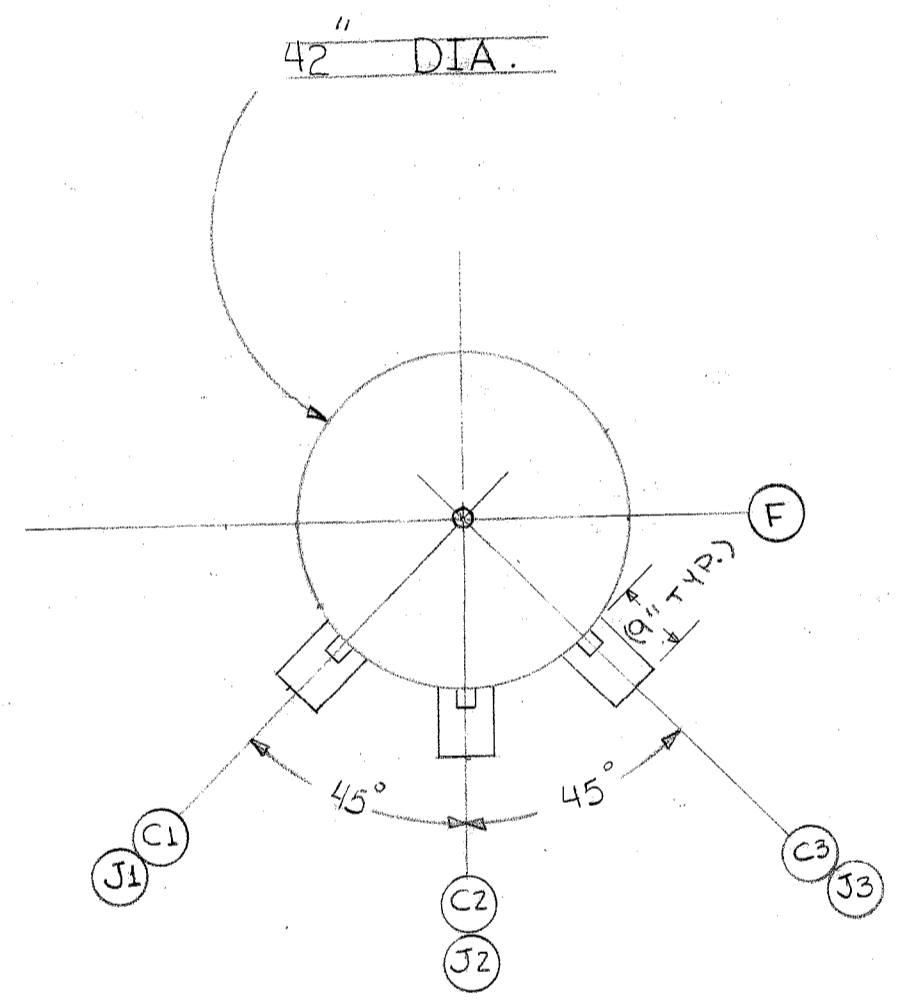
VESSEL DESIGN SPECIFICATIONS
 DESIGN & CONSTRUCTION IN ACCORDANCE WITH SECTION VIII DIV. 1 ASME CODE FOR PRESSURE VESSELS 1986 EDITION & ADDENDA TO A'86
 SHELL SA516-70 .500" HEADS SA516-70 .500" (.438" MIN)
 RT SPOT HT NO CA 0
 M.A.W.P. 150 PSI 300 TO -20 °F
 HYDROTEST 225 PSI PAINT SHOD PRIMER
 TOLERANCE:

Refrigeration Valves and Systems Corp.
 2010 FOUNTAIN ROAD, BRYAN, TEXAS 77801

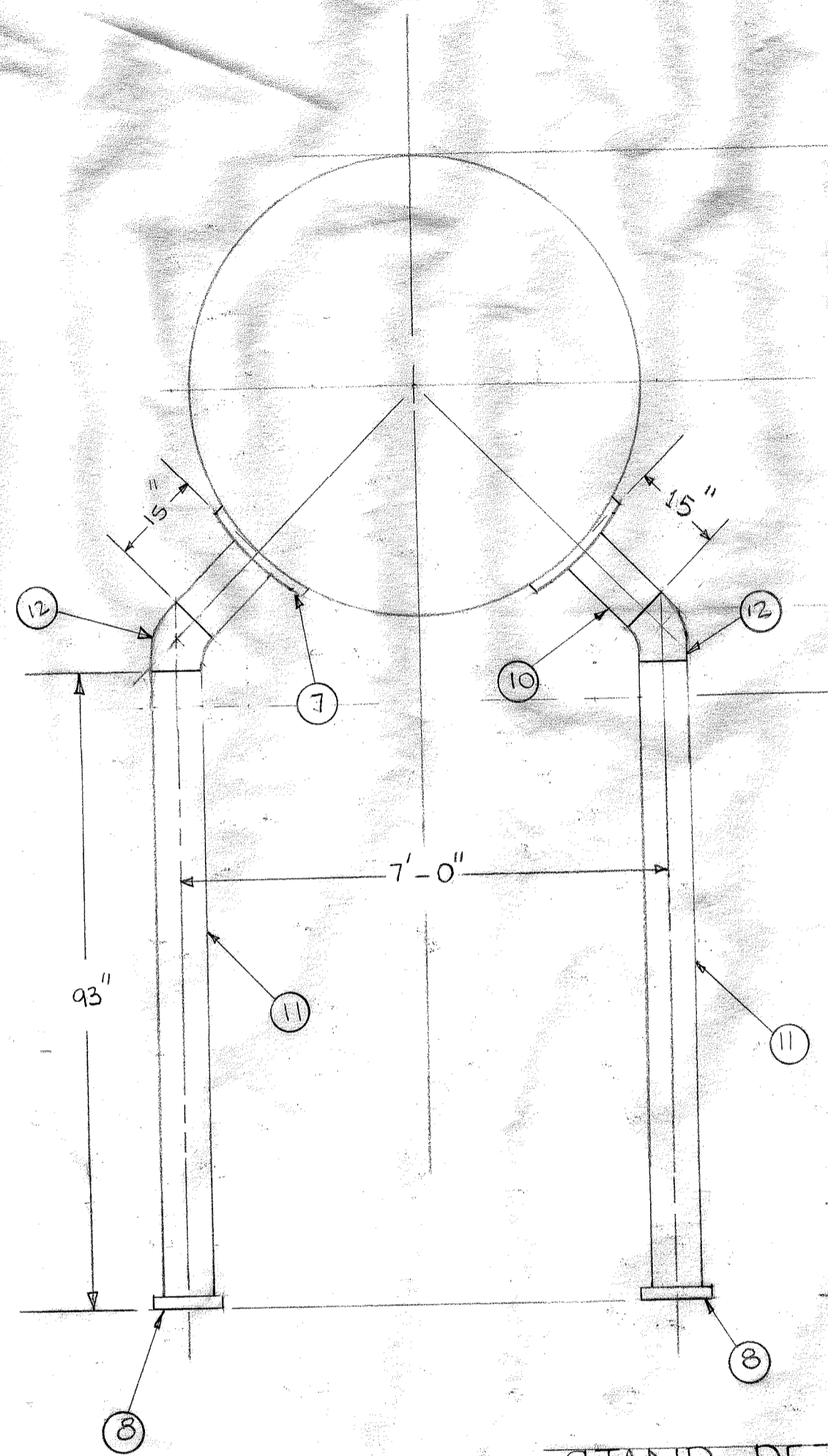
DRAWN BY JNN SCALE 1/2" = 1'-0"
 CHECKED BY DATE 10-28-87
 DRAWING NO. D0508-1



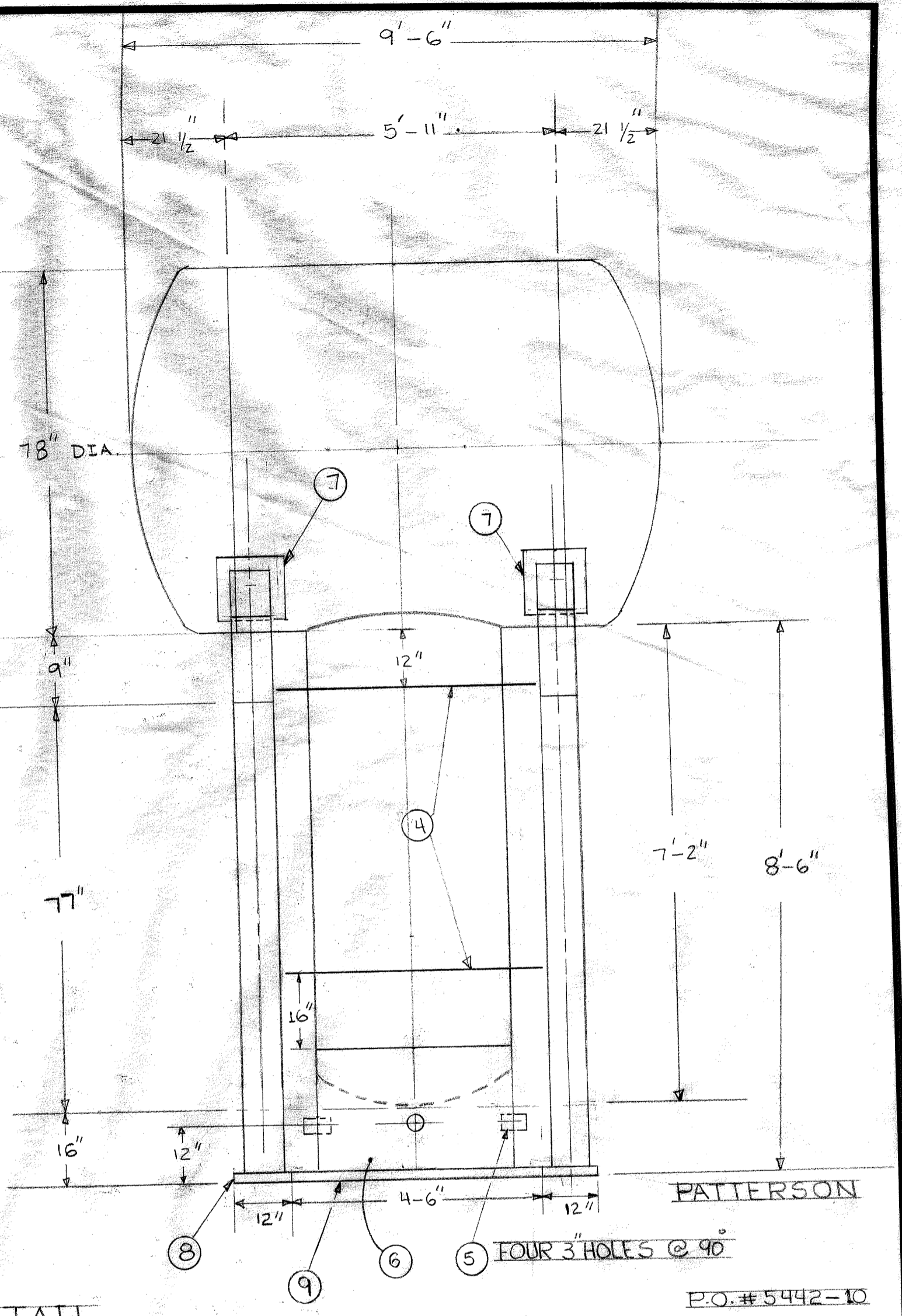
LUG DETAIL SCALE: 1 1/2" = 1'-0"



SECTION A-A (SUMP DETAIL)



STAND DETAIL



PATTERSON P.O.# 5442-10

BILL OF MATERIALS

NOZZLE SCHEDULE								INTERNALS, SUPPORTS				
ITEM	QTY	SIZE	TYPE	RATING	MATERIAL	SERVICE	LGTH	REINFORCEMENT	ITEM	QTY	DESCRIPTION	MATERIAL
M									12	4	8" x S/40 x 45° ELL	SA234WPB
L									11	2	8" x S/40 PIPE x 93" LONG	SA53B
K									10	2	8" x S/40 PIPE x 15" LONG	SA53B
J	3	1"	CPLG.	3000 #	SA105	RELIEF			9	1	54" O.D. x 30" I.D. x 1" THK. BASEPLATE	SA516-70
H									8	4	12" SQ. x 1" BASEPLATE	SA516-70
G									7	4	14" SQ. x 3/4" PL	SA516-70
F	1	1 1/2"	PIPE	S/80	SA53B OR 106B	OIL DRAIN	10"		6	1	42" O.D. x 3/8" RING SUPPORT	SA516-70
E									5	4	3" S/40 PIPE x 3" LONG	SA53B
D									4	2	48" O.D. x 42" I.D. x 1/4" RINGS	SA36
C	3	6"	PIPE	S/40	SA53B OR 106B	PUMP SUCTION	10"		3			
B									2			
A									1			

VESSEL DESIGN SPECIFICATIONS

DESIGN & CONSTRUCTION IN ACCORDANCE WITH SECTION VIII DIV.1 ASME CODE FOR PRESSURE VESSELS 1986 EDITION & ADDENDA TO A' 86

SHELL SA516-70 .500" HEADS SA516-70 (HOT FORMED) .500" (.438" MIN)
 RT SPOT HT NO CA 0
 M.A.W.P. 150 PSI 300 TO -20 °F
 HYDROTEST 225 PSI PAINT SHOP PRIMER (TWO COATS)
 TOLERANCE:

NO	DATE	BY
1		
2		
3		
4		
5		

TITLE: 78" O.D. x 9'-6" (HORIZ.) 150 # ASME RECIRCULATOR (STAND DETAIL)

RVS
 Refrigeration Valves and Systems Corp.
 2010 FOUNTAIN ROAD, BRYAN, TEXAS 77801

DRAWN BY: JNN SCALE: 1/2" = 1'-0" DRAWING NO.: D05082
 CHECKED BY: DATE: 10-30-87