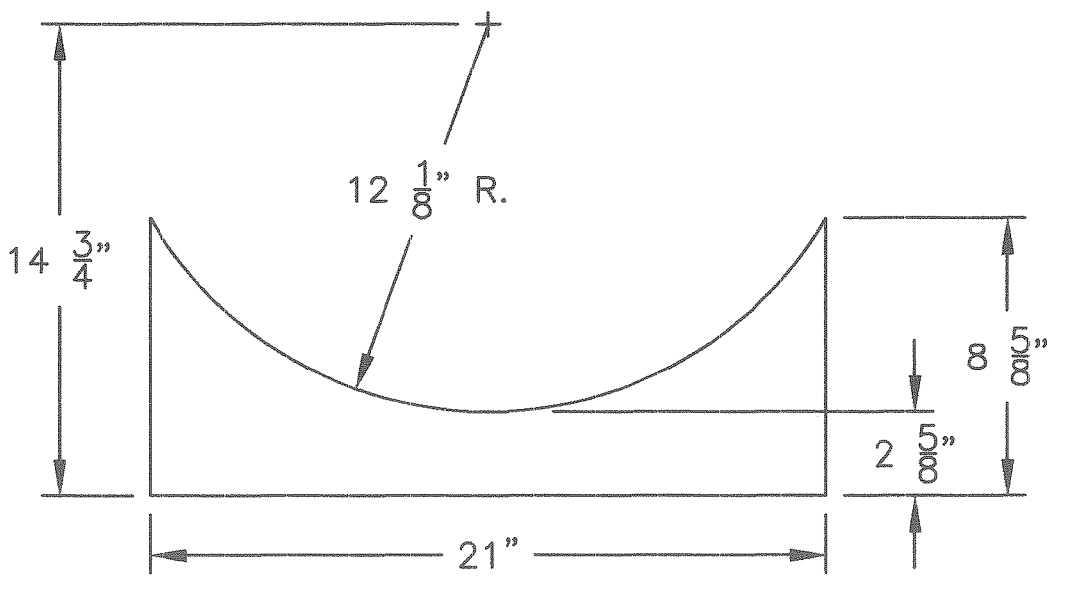
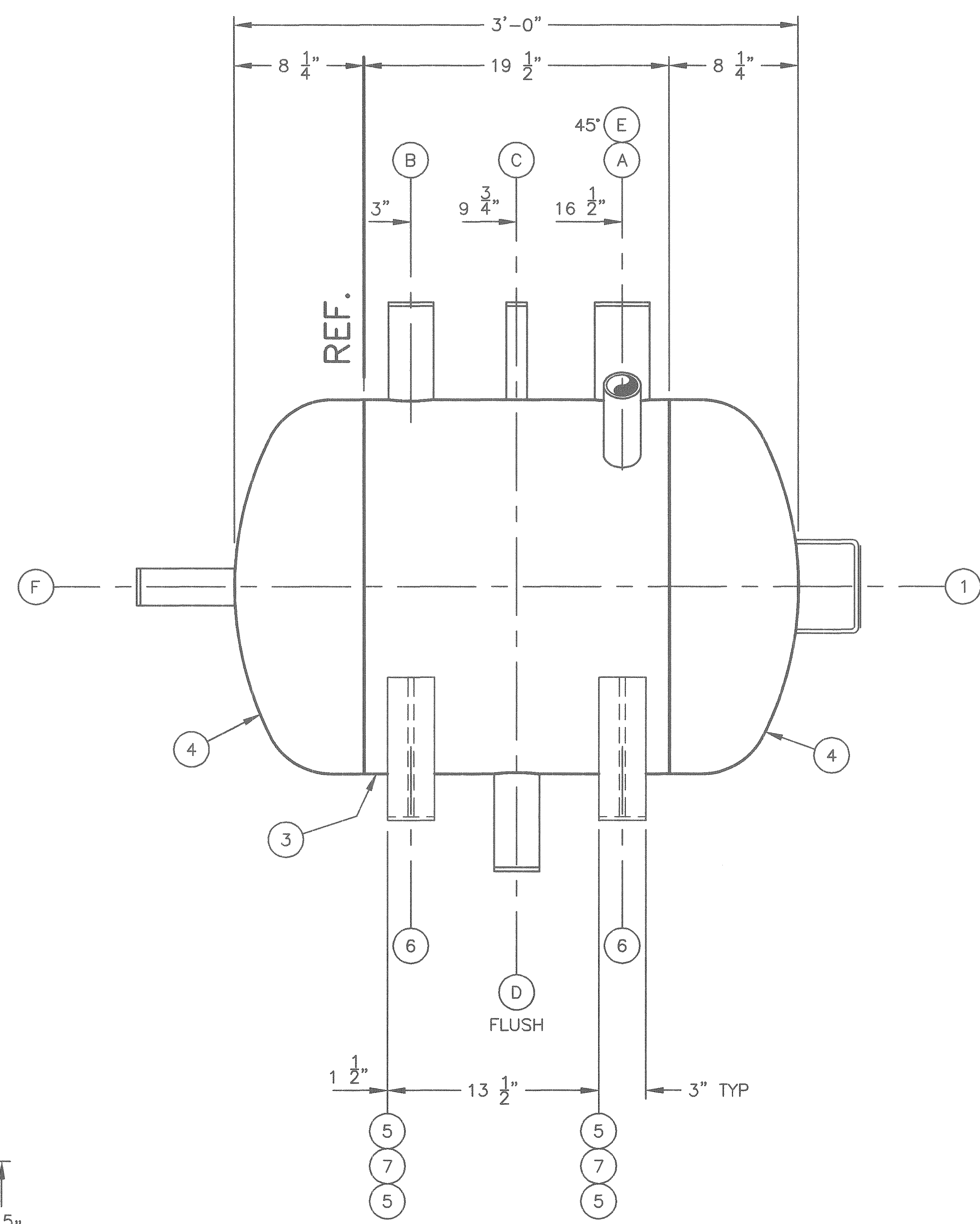
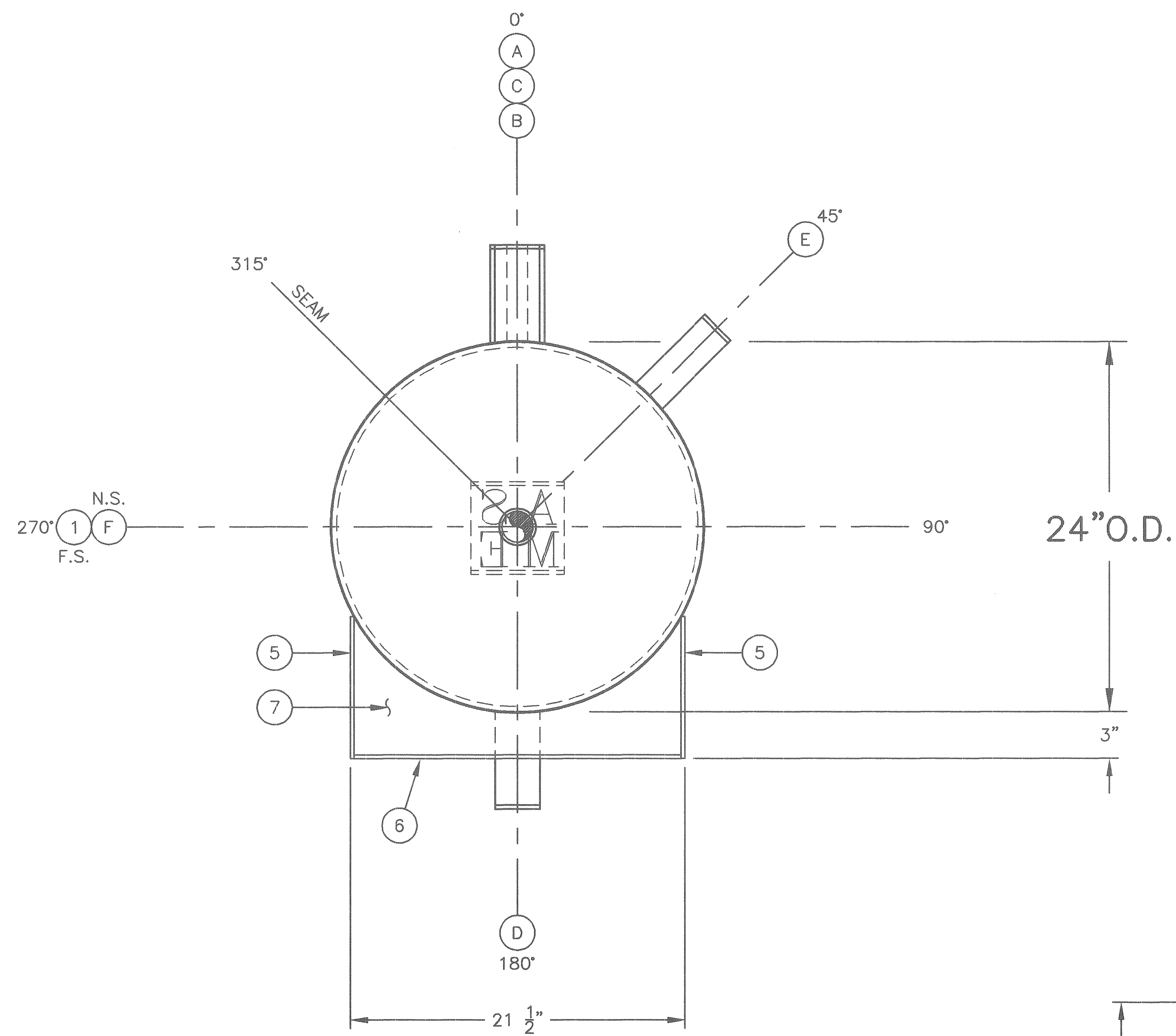
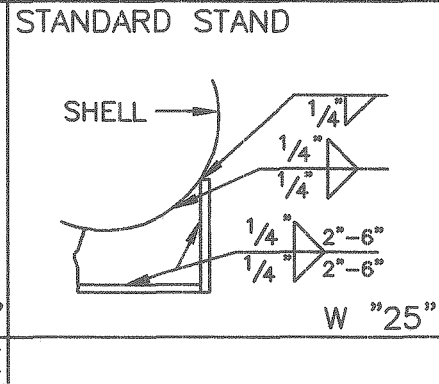
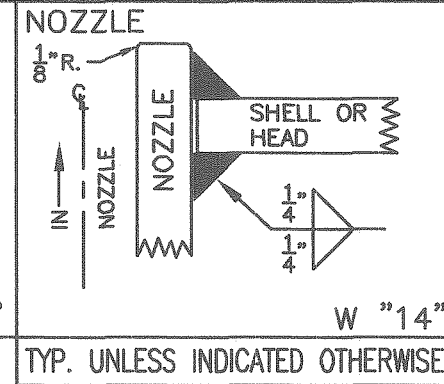
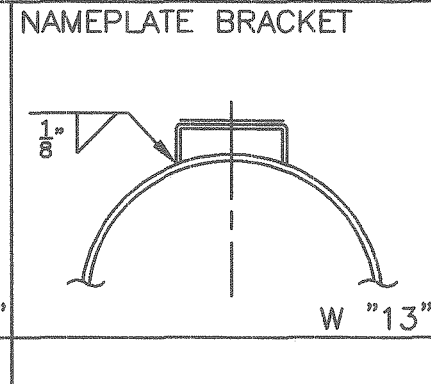
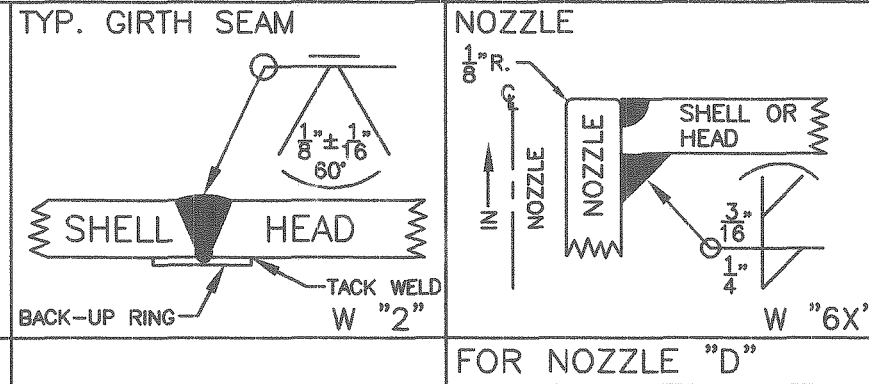
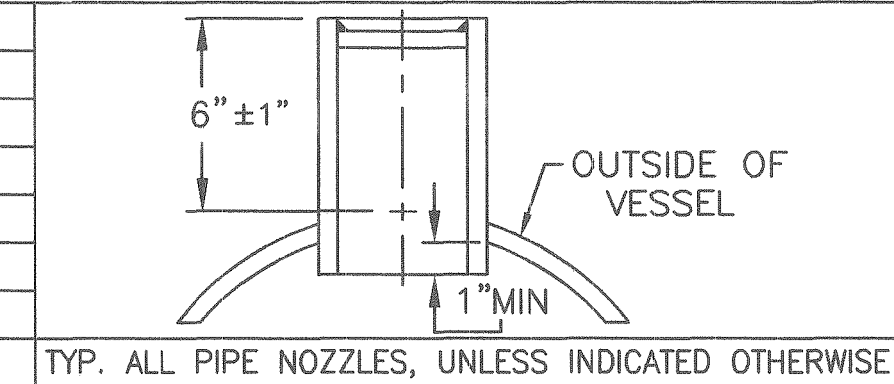


GENERAL NOTES

- 1) SA53B SMLS PIPE MAY BE SUBSTITUTED FOR SA106B SMLS PIPE.
- 2) SA516-70 PLATE MAY BE SUBSTITUTED FOR SA36 PLATE.
- 3) FABRICATION TOLERANCES PER RVS SHOP PROCEDURE NO. T-701.
- 4) ALL BOLT HOLES STRADDLE CENTERLINE UNLESS INDICATED OTHERWISE.
- 5) ALL CPLGS EXTEND INSIDE FOR WELDING UNLESS INDICATED OTHERWISE.

PROCESS	WPS NO.	ELECTRODE
GTAW	109	ER70S-2
SMAW	1002	E7018
FCAW	1005	E71T-1
GMAW-S	2002	ER70S-3
SAW	5005	L61 WIRE/960 FLUX



Rev.	DATE	DESCRIPTION	APR'D / DATE
1	1/12/00	NOZ. "C" WAS 2 1/2"	CCS-1/12/00
0	12/16/99	SENT FOR APPROVAL. APR'D 12-28-99. RELEASED FOR FAB.	CCS-12/28/99

UW RES

NATIONAL BOARD NO. _____
 CERTIFIED BY REFRIGERATION VALVES and SYSTEMS CORPORATION BRYAN, TEXAS

MWP 250 PSI AT 300 °F
 MDMT -20 °F AT MWP 250 PSI

S/N 991112 -S YEAR 2000

SHELL THK HEAD THK U.S. GAL. SQ.FT. SURF.
 In In

TEST WITH OIL

HYDRO NOTES:
 1) ESTIMATED VOLUME: 58 GAL.

SHIP W/ 5 PSI DRY NITROGEN

BILL of MATERIALS													
NOZZLE SCHEDULE					SHELL, HEADS, INTERNALS, & SUPPORTS								
ITEM	QTY	SIZE	TYPE	RATING	MATERIAL	SERVICE	LENGTH	ITEM	QTY	SIZE	RATING	MATERIAL	LENGTH
F	1	2"	PIPE	S/40	SA106B	TO HPR	7 1/2"	7	2	8 5/8" X 21"		SA36	21"
E	1	2"	PIPE	S/40	SA106B	DRAIN FROM CONDENSER	7 1/2"	6	2	3"		SA36	21"
D	1	2 1/2"	PIPE	S/40	SA106B	TO COOLING	7 1/2"	5	4	3"		SA36	9"
C	1	1"	PIPE	S/80	SA106B	SAFETY VALVE	7 1/2"	4	2	24" O.D.		SA516-70	
B	1	2 1/2"	PIPE	S/40	SA106B	TO CONDENSER	7 1/2"	3	1	24"		SA53B-ERW	19 1/2"
A	1	3"	PIPE	S/40	SA106B	OIL COOLER RETURN	7 1/2"	2	2	24"		SA414	
								1	1	4" TALL		SA36	6"

CUSTOMER FREEZING SYSTEMS, INC. P.O. 1315-909

VESSEL DESIGN SPECIFICATIONS
 DESIGN & CONSTRUCTION IN ACCORDANCE WITH SECTION VIII DIV. 1 ASME CODE FOR PRESSURE VESSELS 1998 EDITION & ADDENDA TO A99

SHELL: SA53B-ERW S/STD (3/8") (.240" MIN.) CA: 0
 HEADS: SA516-70 3/8" (.199" MIN.) 2:1 CA: 0
 M.A.W.P.: 250 P.S.I. HYDROTEST: 325 P.S.I.
 -20 °F To 300 °F
 RT: LONG: NONE / GIRTH: NONE HT: NONE
 PAINT: SSPC-SP6, TEAL PRIMER

TITLE 24" O.D. X 3'-0" ASME 250# HORIZ. THERMOSYPHON RECEIVER

DRAWN BY: CCS-12/16/99 **CHK'D BY:** CCS-12/16/99 **S/N:** 991112-S
APR'D BY: CCS-12/28/99 **SCALE:** 2" = 1'-0" Thru

DWG No. T0606-3 **REV.** 1