

Evapco Condenser-1030 Ton

Mfg: Evapco

Model: PMCB-1030

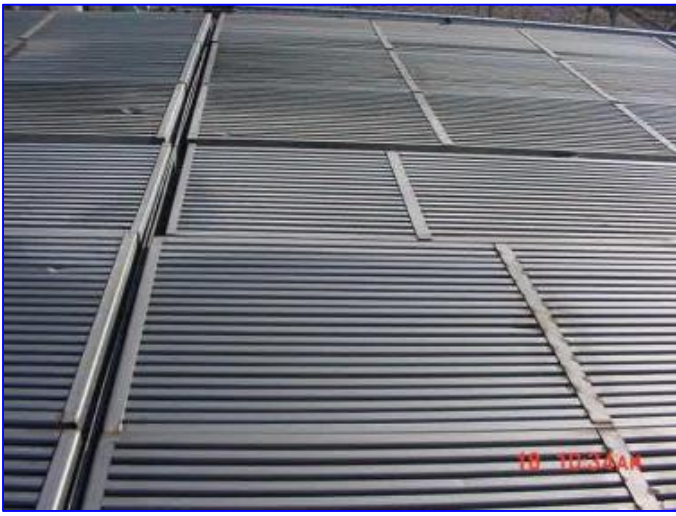
Stock No. DTTC863.

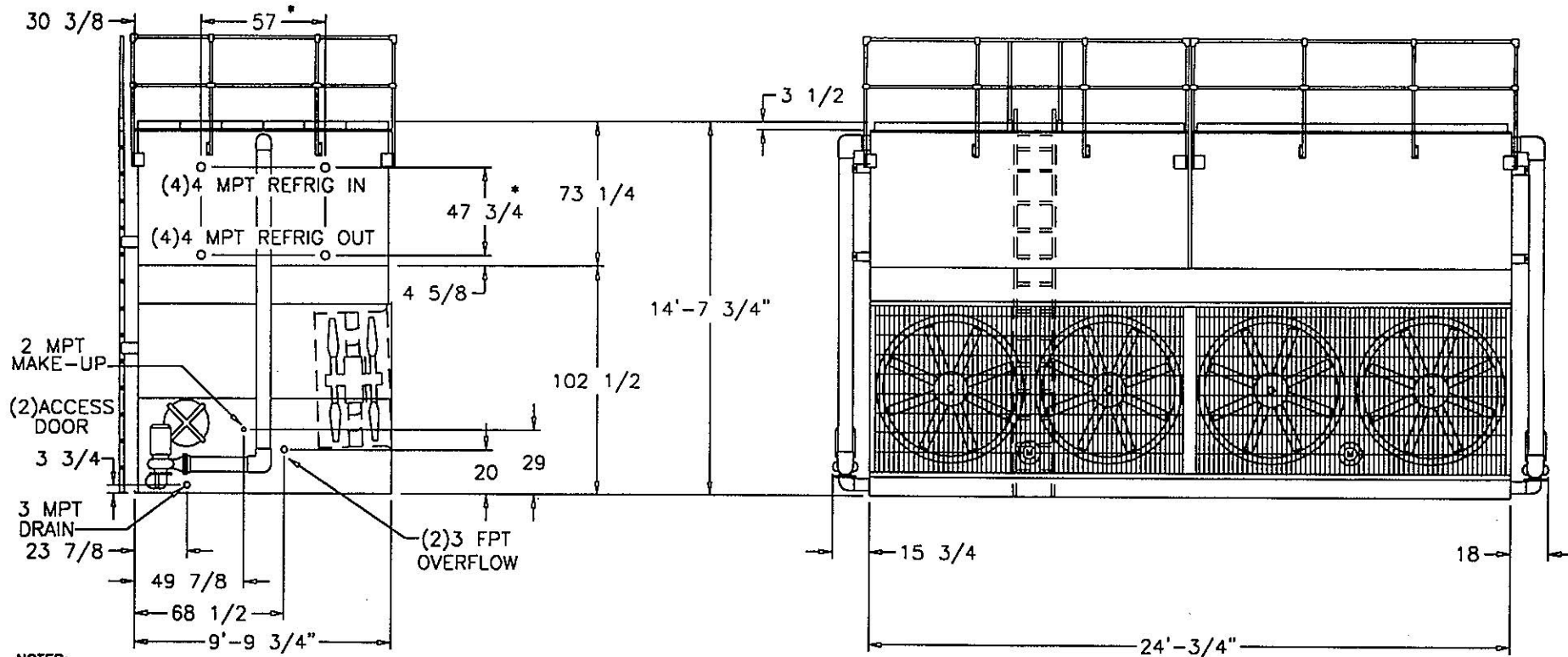
Serial No. MOO4886

Evapco Condenser-1030 Ton. Model PMCB-1030. S/N MOO4886, cap. 613.0, pump 10 hp , hp per TR, 0.090, water make-up 22.0 gpm, 4 fans w/2 motors.









NOTES:

1. (M) --FAN MOTOR LOCATION
2. MAKE-UP WATER PRESSURE 20psi MIN. 50psi MAX.
3. 3/4" MOUNTING HOLES. REFER TO RECOMMENDED STEEL SUPPORT DRAWING
4. HEAVIEST SECTION IS UPPER SECTION
5. * APPROXIMATE DIMENSIONS. DO NOT USE FOR PRE-FABRICATION OF CONNECTING PIPING.
6. MPT DENOTES MALE PIPE THREAD. FPT DENOTES FEMALE PIPE THREAD. BFW DENOTES BEVELED FOR WELDING.

WEIGHTS			NO. SHIPPING SECTIONS
SHIPPING	OPER.	HEAVIEST SECTION	
39080	51700	15150	3

MODEL NUMBER: (2) PMCB 1030 EVAPORATIVE CONDENSERS

CERTIFIED FOR: THE STELLAR GROUP

PROJECT: TROPICANA

CUSTOMER ORDER NO. 006033-01

EVAPCO NO. M004885/86

CAPACITY EACH UNIT 730 T.R.

R-717

REFRIG. 96.3 ° F COND 20 ° F SUCT 78 ° F W.B.

FAN MOTOR HP EACH UNIT (2) 30 HP

ELEC. SPEC. 460/60/3

PUMP MOTOR HP EACH UNIT (2) 5 HP

ELEC. SPEC. 460/60/3

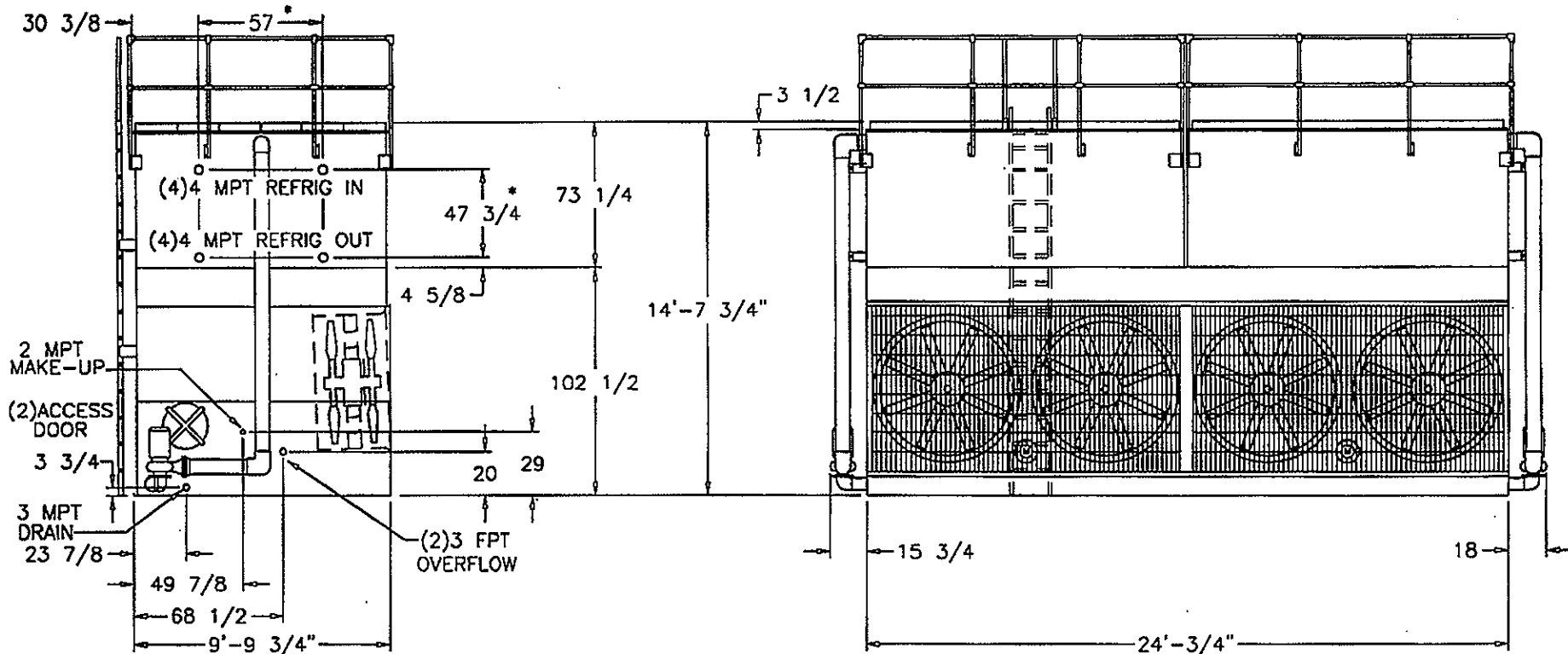
REMARKS: EACH UNIT FURNISHED WITH (1) LADDER WITH PERIMETER HANDRAILS AND GALVANIZED ELIMINATORS. DRIVES SIZED FOR 0" ESP.



**EVAPORATIVE
CONDENSER**

SW 2/25/00

CPTM2412ERA-16



NOTES:

1. (M) - FAN MOTOR LOCATION
2. MAKE-UP WATER PRESSURE 20psi MIN. 50psi MAX.
3. 3/4" MOUNTING HOLES. REFER TO RECOMMENDED STEEL SUPPORT DRAWING
4. HEAVIEST SECTION IS UPPER SECTION
5. * APPROXIMATE DIMENSIONS. DO NOT USE FOR PRE-FABRICATION OF CONNECTING PIPING.
6. MPT DENOTES MALE PIPE THREAD. FPT DENOTES FEMALE PIPE THREAD. BFW DENOTES BEVELED FOR WELDING.

Stellar Group

WEIGHTS			NO. SHIPPING SECTIONS
SHIPPING	OPER.	HEAVIEST SECTION	
39080	51700	15150	3

located in Bradenton, FL

MODEL NUMBER: (2) PMCB 1030 EVAPORATIVE CONDENSERS

CERTIFIED FOR: THE STELLAR GROUP

PROJECT: TROPICANA

CUSTOMER ORDER NO. 006033-01

EVAPCO NO. M004885/86

CAPACITY EACH UNIT 730 T.R.

R-717

REFRIG. 96.3 ° F COND 20 ° F SUCT 78 ° F W.B.

FAN MOTOR HP EACH UNIT (2) 30 HP

BLEC. SPEC. 460/60/3

PUMP MOTOR HP EACH UNIT (2) 5 HP

BLEC. SPEC. 460/60/3

REMARKS: EACH UNIT FURNISHED WITH (1) LADDER WITH PERIMETER HANDRAILS AND GALVANIZED ELIMINATORS. DRIVES SIZED FOR 0" ESP.



EVAPORATIVE CONDENSER

SW 2/25/00

CPTM2412ERA-16