

Young Filter/Bag Dump Station

Mfg: Young Industries

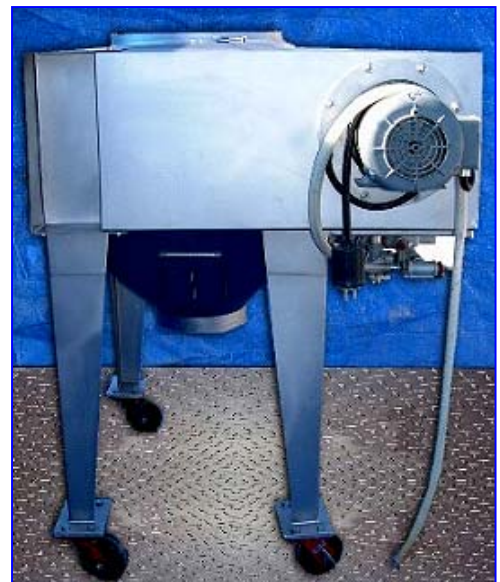
Model:

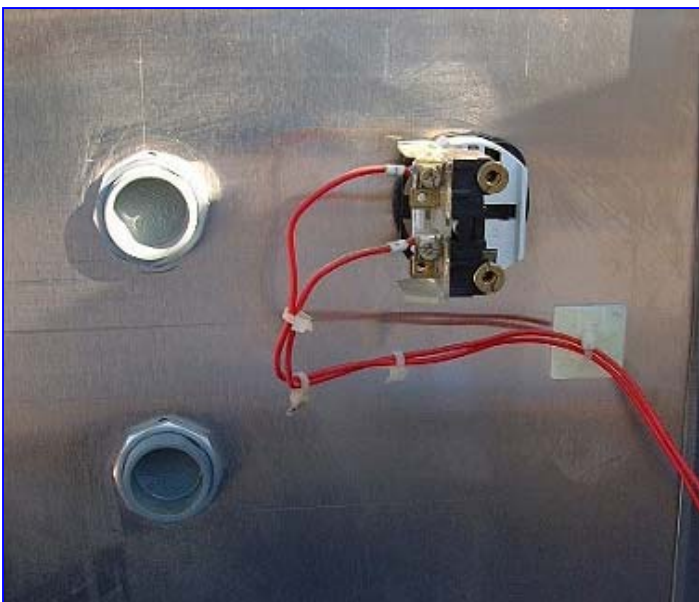
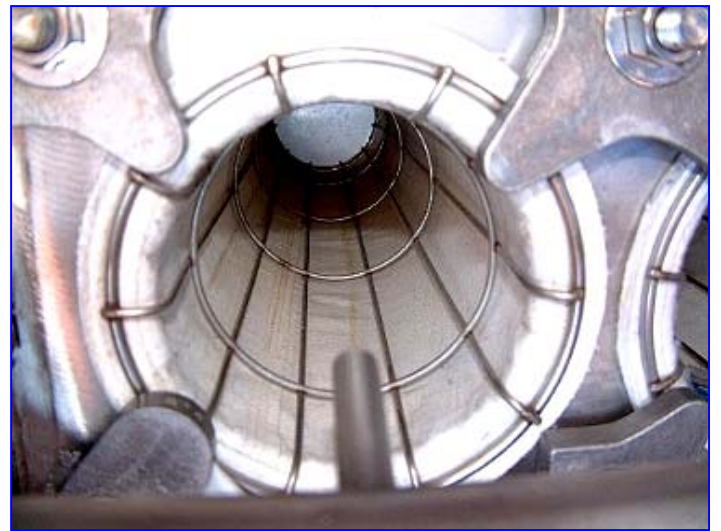
Stock No. ENDX747.3a

Serial No. FBD-1778

Young Industries Filter/Bag Dump Station.

- S/N FBD-1778,
- Shop #: 14234-1, Size #: 24-4, on 5 in. Casters.
- Filters: Qty: 4, 24 in. L x 5 in. Diameter.
- Magnehelic Water Level Indicator,
- Norgren Pneumatic Air Valve.
- Filter Pulse Timer: 1 phase, 60 Hz, 120 Volts.
- Marathon 4-in-1 Electric Motor, 3 phase, 60 Hz, 1/2 hp, 3,450 rpm, 575 volts, 0.9 FLA.
- Top Opening 20 in. Diameter,
- Bottom Opening 10 in. Diameter.
- Overall Dimensions 57 in. L x 45 in. W x 54 in. H.





LEGEND:

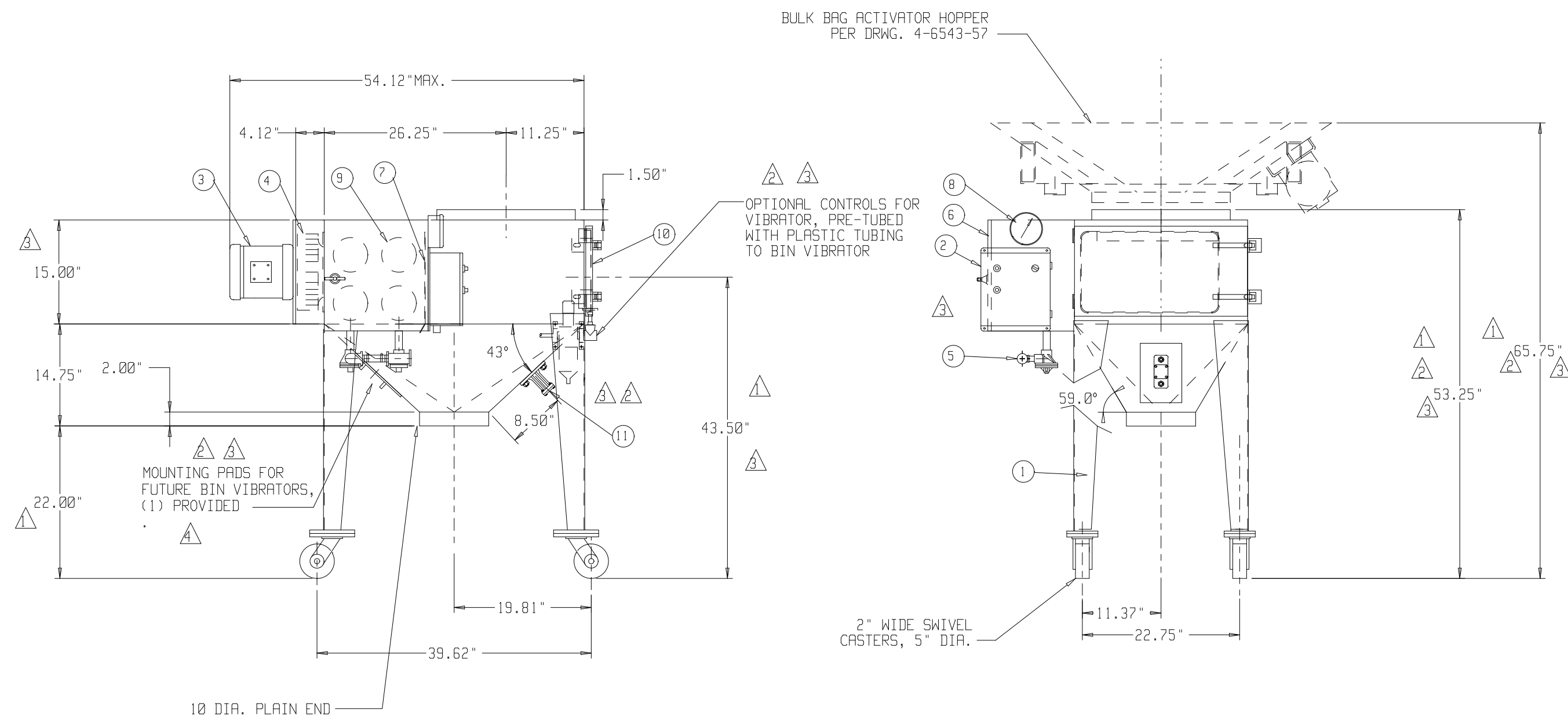
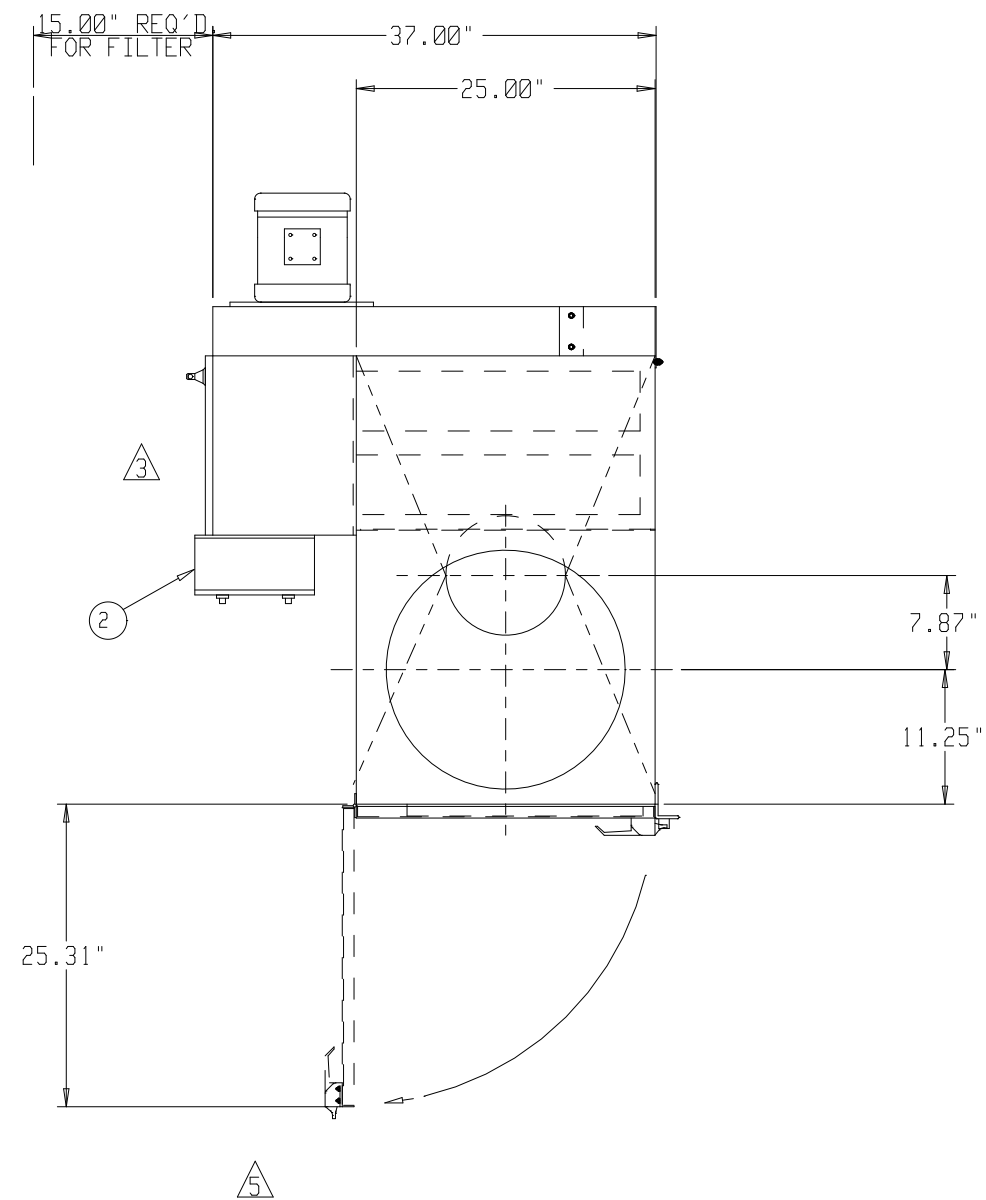
- ① FILTER/BULK BAG DUMP STATION, MODEL 24-4
TYPE: HOPPER STYLE
QUANTITY: ONE (1)
MATERIAL OF CONSTRUCTION: 316 S/S W.P.C.
GASKET MATERIAL: WHITE NEOPRENE & SBR SPONGE
JET PIPES: 304 S/S
CAGE CLAMPS: ALUMINUM
CONDUIT: NEMA 4

APPROX. WEIGHT:
 BAG DUMP (empty) _____ 275 LBS.
 CART _____ 150 LBS.
 TOTAL _____ 425 LBS.

REF. Y.I. ENGINEERING SPECIFICATION 185.200:
 WELDING _____ CLASS 2
 GRINDING, INTERIOR _____ CLASS 4
 GRINDING, EXTERIOR _____ CLASS 3
 CLEAN-UP, INTERIOR _____ CLASS 2
 CLEAN-UP, EXTERIOR _____ CLASS 3

PAINTING: EXTERIOR C/S PARTS WILL BE PAINTED ONE COAT OF WHITE EPOXY

- ④ NEMA 4X PUSH BUTTON STATION, 1 PH., 60 HZ., 115 VOLT (CONTROL LINE CIRCUIT) NOTE: MOTOR STARTER BY CUSTOMER
- ③ ELECTRIC MOTOR, 1/2 H.P., 3600 RPM, 3 PH., 60 HZ., 575 VOLT, TEFC ENCLOSURE
- ④ FAN WHEEL, 310 CFM, 4" S.P., 3600 RPM, .37 BHP @ 70 DEG. FSL
- ⑤ 3/4" NPT (FEMALE) PLANT AIR CONNECTION, 4.4 SCFM OF AIR @ 80 PSIG REQUIRED
NOTE: AIR SUPPLY LINE MUST BE 3/4" MINIMUM
- ⑥ PLENUM ACCESS DOOR, 316 S/S
- ⑦ PERMANENT BAFFLE, 316 S/S
- ⑧ MAGNEHELIC DIFFERENTIAL PRESSURE GAUGE, 0-15" H₂O, BY YOUNG IND.
- ⑨ FILTER TUBE ASSEMBLY, 24" LG., 4-REQUIRED STYLE "D"
FILTER CAGES: 304 S/S
FILTER MEDIA: POLYESTER FELT W/GORE-TEX MEMBRANE
- ⑩ FRONT ACCESS DOOR, 11.5" x 16.5" WITH GASKET AND LATCH, 316 S/S
- ⑪ PNEUMATIC BIN VIBRATOR, PISTON TYPE, CAST ALUM. HOUSING WITH .25" NPT (F) PORT, REQUIRES 3.3 CFM OF AIR @ 60 PSIG (INSTALLED BY Y.I.) COMPLETE WITH SHUT-OFF VALVE, AIR REGULATOR AND GAUGE (OPTIONAL-INSTALLED BY CUSTOMER OR PRE-PIPED BY Y.I.)



REV. NO.	DESCRIPTION	DATE	BY
5	ACCESS DOOR OPENED LEFT TO RIGHT SIDE	8/18/00	MCR
4	PUSH BUTTON STATION WAS NEMA 4, MOTOR VOLTAGE WAS 230/460. QTY. OF MTG. PADS FOR VIBRATORS WAS 3	6/8/00	MCR
3	65.75" WAS 72", 53.25" WAS 59". 15" WAS 20.25". REPLACED AERATION PADS WITH VIBRATOR & VIB. MTG. PADS. UNIT WAS RIGHT HAND 43.50" WAS 48", 1.50" WAS 2"	5/3/00	MCR
2	72" WAS 83", 59" DIM. WAS 70", 48" DIM. WAS 59", 43 DEG. WAS 60 DEG. 59 DEG. WAS 72 DEG. ADDED OPTIONAL AERATION PADS AND OPTIONAL CONTROLS FOR THEM	04/12/00	KGL
1	ADDED 83.00" DIMENSION. BAG DUMP HEIGHT WAS REDUCED BY 1" OUTLET RAISED 12". ADDED VIEW OF ACTIVATOR HOPPER. CHANGES PER VERBAL REQUEST FROM MR. ED BRAGG PROCESS INNOVATIONS ON 4/10/00	04/10/00	KGL

REVISIONS			
CUSTOMER	ARMSTRONG CHEESE		
CUST. NO.	42461		
YOUNG ORDER NO.	14234		
TITLE	ASS'Y. - FBD 24-4 FILTER BULK BAG DUMP STATION, WITH 20" DIA. INLET COLLAR AND 10" PLAIN OUTLET, PORTABLE		

THE YOUNG INDUSTRIES, INC.
 HANCOCK, PENNSYLVANIA 17756
 TELEPHONE: 570-946-3105

DRAWN BY: NLR SCALE: 1 1/2" = 1'0"
 CHECKED BY: _____ DATE: 03/23/2000
 DRAWING NUMBER: 4-6260-18.05

GENERAL TOLERANCES	
UNLESS OTHERWISE SPECIFIED THE FOLLOWING SHALL APPLY	
MACHINING	.XX ± .02 .XXX ± .005 ANGLE ± .50° SURFACE ROUGHNESS HEIGHT 63 MICRORINCHES OR LESS
FABRICATION	UNDER 6 6 TO 24 24 TO 60 OVER 60 ±.06 ±.12 ±.19 ±.25
UNLESS OTHERWISE SPECIFIED DIMENSIONS ARE IN INCHES	
PRINT ISSUE DATE	CAD FILE NUMBER: /mtp/data/ mtp/data/work/14234