



Submittal Data Information

U Tube Heat Exchangers

201-007

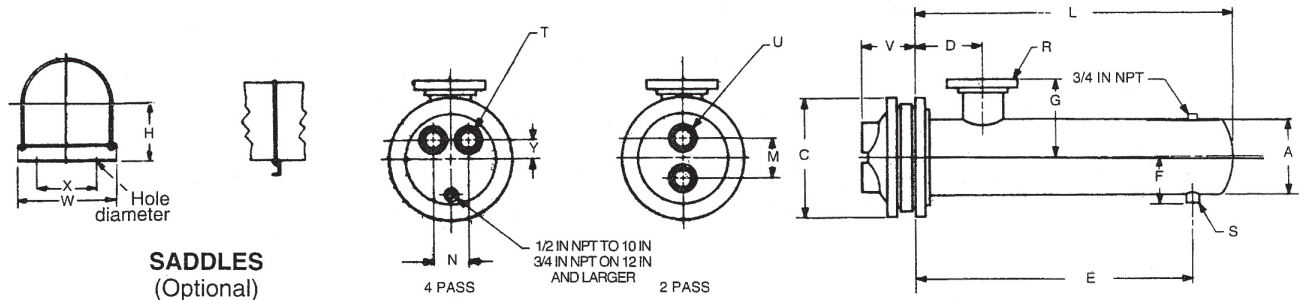
4" DIAMETER STEAM

EFFECTIVE: APRIL 15, 1995

Job: _____

Item No	Model No	Pass	GPM Tubes	Temp. In	Temp. Out	Steam Pressure Shell	Pressure Drop Tubes	Velocity Tubes

Tube Fluid _____ Shell Fluid _____



DIMENSIONS

4 Inch Diameter

Model Number		Cast Iron Heads						Dimensions (inches)									Heating Surface (sq. ft.)	Shipping Weight (lbs.)
2 Pass	4 Pass	2 Pass		4 Pass				2 and 4 Pass										
		M	U	N	T	Y	V	A	C	D	E	F	G	L	R	S		
G4204S	G4404S	2 1/2	1 1/2 T	2 3/8	1 T	7/8	2 7/8	4 1/2	9	5	19 1/2	4	4	24 1/2	1 1/4 T	1 T	4.6	65
G4206S	G4406S	2 1/2	1 1/2 T	2 3/8	1 T	7/8	2 7/8	4 1/2	9	5	31 1/2	4	4	36 1/2	1 1/4 T	1 T	7.0	75
G4208S	G4408S	2 1/2	1 1/2 T	2 3/8	1 T	7/8	2 7/8	4 1/2	9	5	43 1/2	4	4	48 1/2	1 1/4 T	1 T	9.3	84
G4210S	G4410S	2 1/2	1 1/2 T	2 3/8	1 T	7/8	2 7/8	4 1/2	9	5	55 1/2	4	4	60 1/2	1 1/4 T	1 T	11.7	94
G4212S	G4412S	2 1/2	1 1/2 T	2 3/8	1 T	7/8	2 7/8	4 1/2	9	5	67 1/2	4	3 7/8	72 1/2	1 1/2 T	1 T	14.1	104
G4214S	G4414S	2 1/2	1 1/2 T	2 3/8	1 T	7/8	2 7/8	4 1/2	9	5	79 1/2	4	3 3/4	84 1/2	1 1/2 T	1 T	16.4	114
G4216S	G4416S	2 1/2	1 1/2 T	2 3/8	1 T	7/8	2 7/8	4 1/2	9	5	91 1/2	4	3 3/4	96 1/2	1 1/2 T	1 T	18.8	124
G4218S	G4418S	2 1/2	1 1/2 T	2 3/8	1 T	7/8	2 7/8	4 1/2	9	5	103 1/2	4	3 3/4	108 1/2	1 1/2 T	1 T	21.1	134
G4220S	G4420S	2 1/2	1 1/2 T	2 3/8	1 T	7/8	2 7/8	4 1/2	9	5	115 1/2	4	3 3/4	120 1/2	1 1/2 T	1 T	23.5	144

SADDLE DIMENSIONS: H-5 1/4; W-6 15/16; X-5 1/2; Hole Dia.-1/2

MATERIALS OF CONSTRUCTION (Unless otherwise indicated, standard will be furnished.)

	Standard	Optional
Shell	Steel	304ss, 316ss
Head	Cast Iron 4-10" Fabricated Steel 12-30"	Fabricated Steel, Cast Bronze, Fabricated 304ss/316ss Cast Bronze, Fabricated 304ss/316ss
Tubes	3/4 x 20 BWG Copper	3/4 x 18 BWG Copper, Steel, 304ss, 316ss, 90/10 Cu Ni, Admiralty
Tube Sheet	Steel	Bronze, Brass, 304ss, 316ss, 90/10 Cu Ni
Separators	Steel	Bronze, Brass, 304ss, 316ss, 90/10 Cu Ni
Working Pressure	150 PSIG (ASME)	Consult Factory
Max. Temperature	375°F	Consult Factory

All dimensions shown are subject to change and should not be used for pre-piping. Contact your local Taco representative should certified dimensional drawings be required.

Do it Once. Do it Right.

Taco, Inc., 1160 Cranston Street, Cranston, RI 02920 Telephone: (401) 942-8000 Fax: (401) 942-2360
 Taco (Canada), Ltd., 6180 Ordan Drive, Mississauga, Ontario L5T 2B3 Telephone: (905) 564-9422 Fax: (905) 564-9436
 Visit our website at: www.taco-hvac.com

Printed in USA
 Copyright 2007
 TACO, Inc.