

Mueller Refrigerated Silo Stainless Steel-30,000 Gallon

Mfg: Mueller

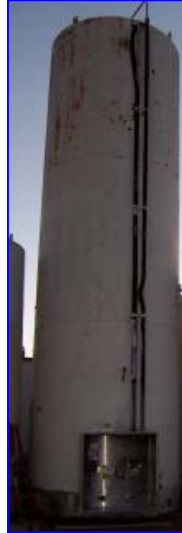
Model:

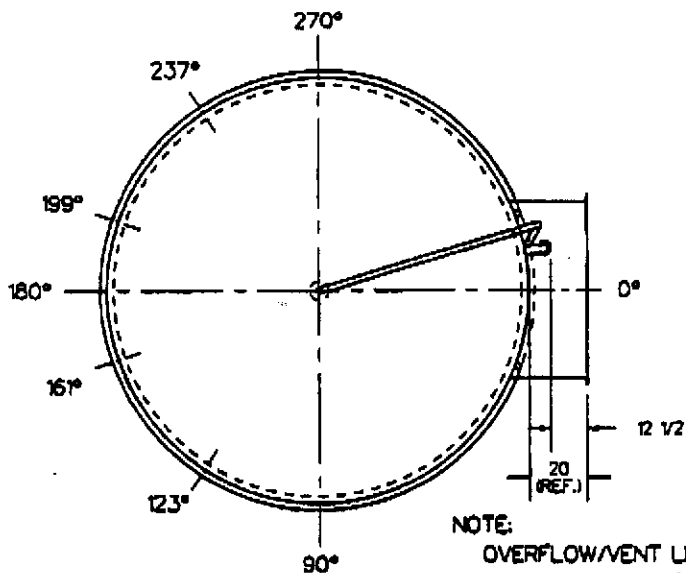
Stock No. HDPW352.160

Serial No. A-409 964

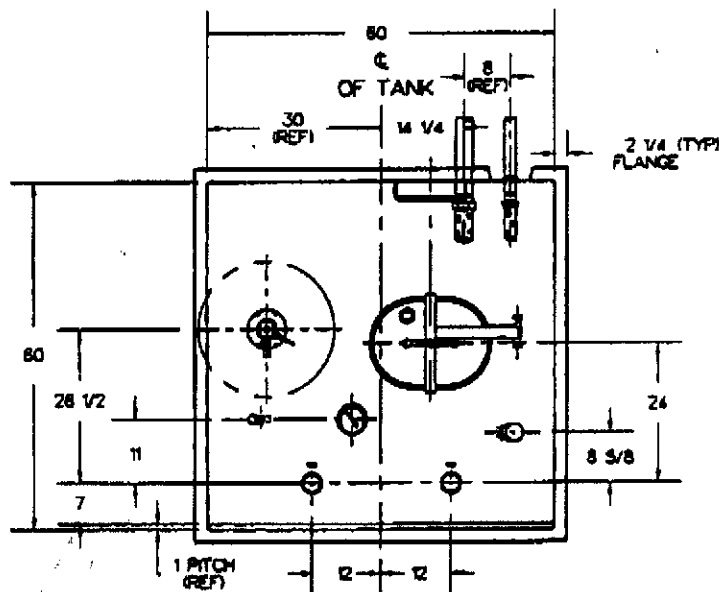
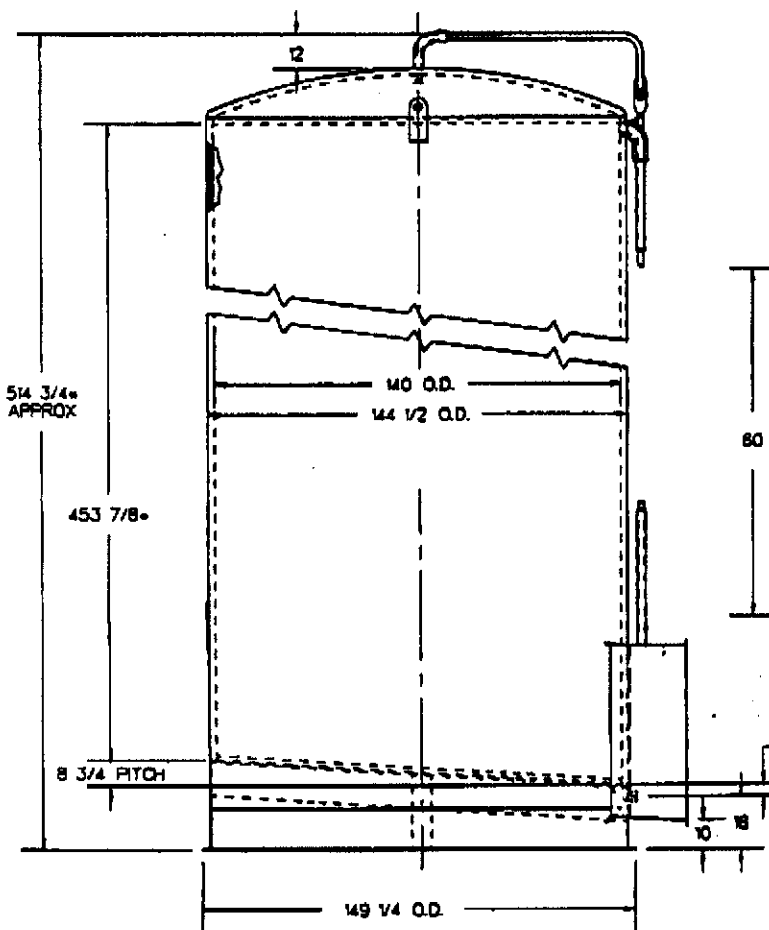
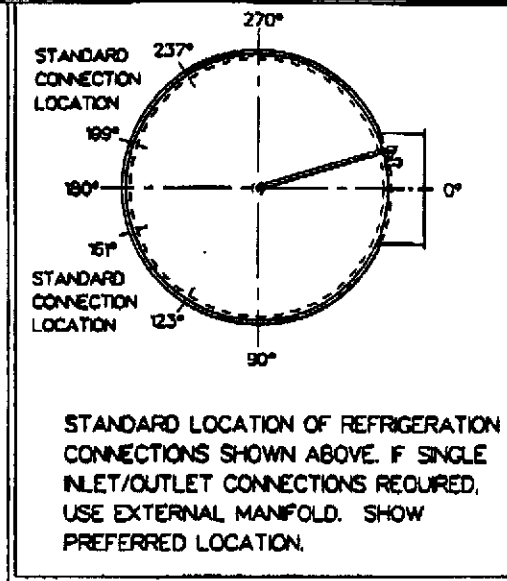
Mueller Refrigerated Silo Stainless Steel 30,000 Gallon.

- S/N A-409 964
- (2) Tri-Clover air valves,
- Horizontal agitator.





NOTE:
OVERFLOW/VENT LINE
& OF SUPPLY LINE
ARE SHOWN WITH 1" THK
INSULATION.



MODEL "SVW" SERIAL # A-40996-4
 Post-It® Fax Note 7671 Date 2-11-05 # of pages 1
 To CAMERON McMILLAN From KEITH COOK
 Co./Dept GENEMCO Co. PAUL MUELLER CO
 Phone # 979-268-7447 Phone # 800-545-5224
 Fax # 979-268-0102 Fax # 417-575-9898

WORKING CAPACITY: 30,000 GAL.
 EST. WEIGHT EMPTY: 22,000 LBS.
 EST. GROSS WEIGHT: 280,000 LBS.

ALL MATERIALS OR COMPONENT PARTS CALLED OUT ON THIS DRAWING SHALL BE AS SPECIFIED OR APPROVED EQUAL.

This drawing and any part thereof is the property of the PALL MUELLER CO., Springfield, Mo., and is subject to return on request of the company. The information shown is confidential and the recipient by accepting the drawing agrees not to use any information contained therein in any manner which will be detrimental to the PALL MUELLER CO.

DRAWN BY DAWN GREEN	SALES ORDER N/A	PALL MUELLER COMPANY P. O. BOX 102 / SPRINGFIELD, MISSOURI 65801-0102 USA
DATE 4-24-96	SCALE N.T.S.	
REVIEWED BY		REVISION
DATE		
TITLE VERTICAL 30,000 GAL SLO		DRAWING NO. GD02121A