

**UA75AC thru UA300AC
Three Phase Parts List**

	MODEL NUMBER	UA75AC thru UA300AC	UA75AC thru UA300AC
	VOLTAGE	230-3-60	460-3-60
Item	DESCRIPTION	PART NUMBERS	
A.	HOT GAS BYPASS VALVE	VAL-HG-7-R5	VAL-HG-7-R5
B.	LIQUID LINE FILTER	FIL-LQ-5-R4	FIL-LQ-5-R4
C.	REF. SUCTION GAUGE	GAG-PR-21-4-P2	GAG-PR-21-4-P2
D.	REF. DISCHARGE GAUGE	GAG-PR-21-4-P1	GAG-PR-21-4-P1
E.	ON/OFF SWITCH	ELE-SI-65-88-PI	ELE-SI-65-88-PI
F.	REF. COMPRESSOR	COM-TG-15-60-2R	COM-TG-15-70-2R
G.	FAN MOTOR	MOT-FM-15-TF1	MOT-FM-15-TF2
H.	FAN BLADE	CON-BF-15-TF1	CON-BF-15-TF1
I.	FAN GUARD	CON-GF-15-TF1	CON-GF-15-TF1
J.	SEP. SIGHTGLASS (3)	FIL-SG-15-3 (UA250)	FIL-SG-15-3(UA300)
K.	SEP. SIGHTGLASS (3A)	FIL-SG-15-3A (UA250)	FIL-SG-15-3A (UA300)
L.	SEP. SEAL KIT	FIL-OR-15-3 (UA250)	FIL-OR-15-3 (UA300)
M.	CRANKCASE HEATER	COM-CH-15-TF1	COM-CH-15-TF2
N.	CONTACTOR	ELE-AC-15-TF1	ELE-AC-15-TF2
O.	REF. RECEIVER TANK	CON-RV-15-R2	CON-RV-15-R2
P.	HIGH PRESSURE SWITCH	CON-PJ-15-HP	CON-PJ-15-HP
Q.	LOW PRESSURE SWITCH	CON-PJ-15-PL	CON-PJ-15-PL
R.	SEPARATOR	FIL-SP-15-A5 (UA250)	FIL-SP-15-A5 (UA300)
S.	SEP.50 MICRON ELMT. (3)	FIL-SP-ET-3 (UA250)	FIL-SP-ET-3 (UA300)
T.	CONTROL TRANSFORMER	N/A	ELE-TR-45-V2
U.	SEP. INSERT ASSBLY W/ ORING	FIL-SP-INSERT	FIL-SP-INSERT
V.	REF. CONDENSER	CON-AR-15-R2	CON-AR-15-R2
W.	CONDENSER SHROUD	CON-AR-15-SX	CON-AR-15-SX
X.	HEAT EXCHANGER	SUB-HX-76-00 (UA250)	SUB-HX-57-00 (UA300)
Y.	THERMAL EXPANSION VALVE	VAL-TH-9-15-R4	VAL-TH-9-15-R4
Z.	CONTROL VOLTAGE FUSE	ELE-FS-7-TD	ELE-FS-7-TD
AA.	FUSE HOLDER	ELE-FH-91-76-F4	ELE-FH-91-76-F4
BB.	POWER ON LIGHT	ELE-LH-59-MT	ELE-LH-59-M1
CC.	DRAIN TIMER BOARD	ELE-TB-60-CB	ELE-TB-85-CB
DD.	DRAIN SOL. VALVE	VAL-DR-EI-A1-G2	VAL-DR-EI-A1-G1
EE.	1/4" Y-STRAINER (earlier)	FTB-SR-4-BR	FTB-SR-4-BR
FF.	1/4" ISOLATION BALL VALVE	VAL-GT-4-BR	VAL-GT-4-BR
GG.	1/4" X 1/2" FILTER-STOP (current)	FIL-SR-7-4-B5	FIL-SR-7-4-B5
HH.	ROTO-PAK REPL. ELEMENT	CHECK S/N	CHECK S/N
JJ.	RECIP-PAK REPL. ELEMENT	CHECK S/N	CHECK S/N
KK.	OILLESS-PAK REPL. ELEMENT	CHECK S/N	CHECK S/N
LL.	DELTA-P GAUGE	GAG-DE-18-D9	GAG-DE-18-D9
MM.	575 VOLT TRANSFORMER (option)	N/A	ELE-TR-11-V9

Notes: HH. thru NN. are for the filter package options.

Item J. are numbers 42, 43, and 44 on Fig. 3

K. are numbers (12 or 24), (17 or 28), (19 or 30), (20 or 31), (21 or 32), (22 or 33) on Fig. 3A

L. are numbers (12, 24, or 35), (16, 27, 39, or 41), 47, 49, and 51 on Fig. 3 and 3A

S. is number 48 on Fig. 3

U. are numbers (14 and 15), (37 and 38) all on Fig. 3 and 3A

The part numbers with a model number in parenthesis next to the part are for these models only. For other models single or three phase refer to the single phase parts list.

UA75 - UA300 THREE PHASE

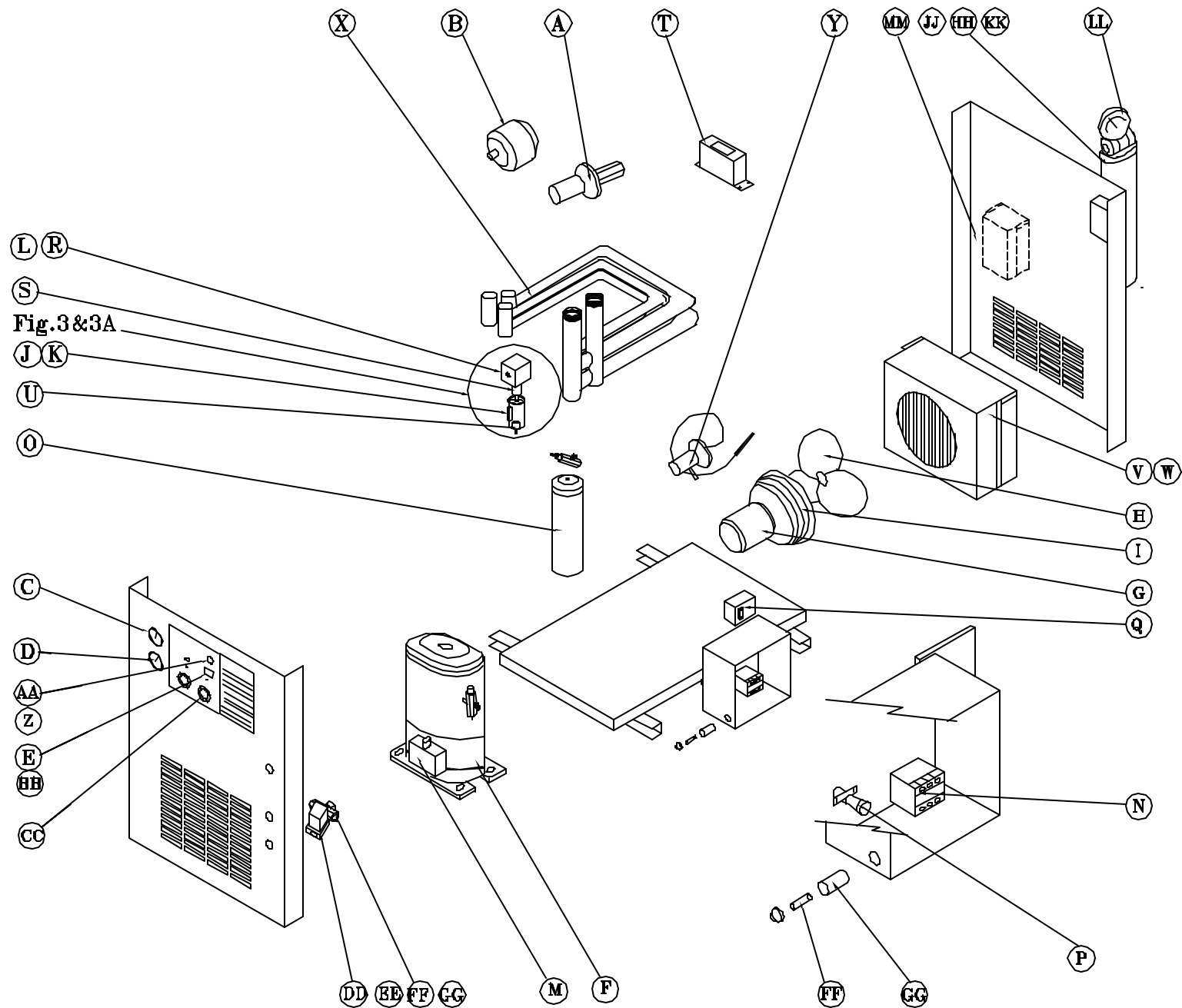
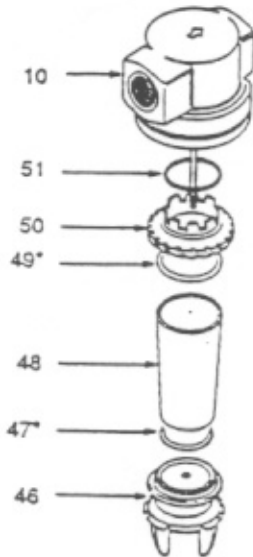


Fig.3&3A

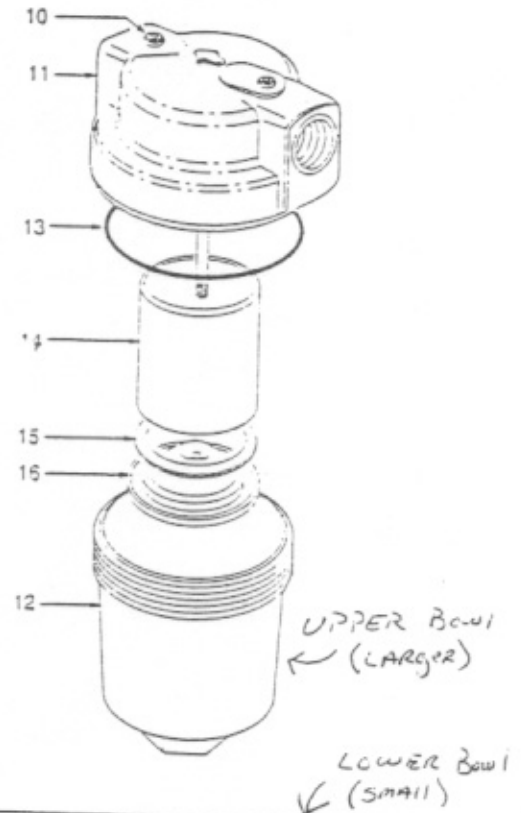
Separator for dryer models
 UA150, UA200, UA250
 & UA300AC

Fig. 3

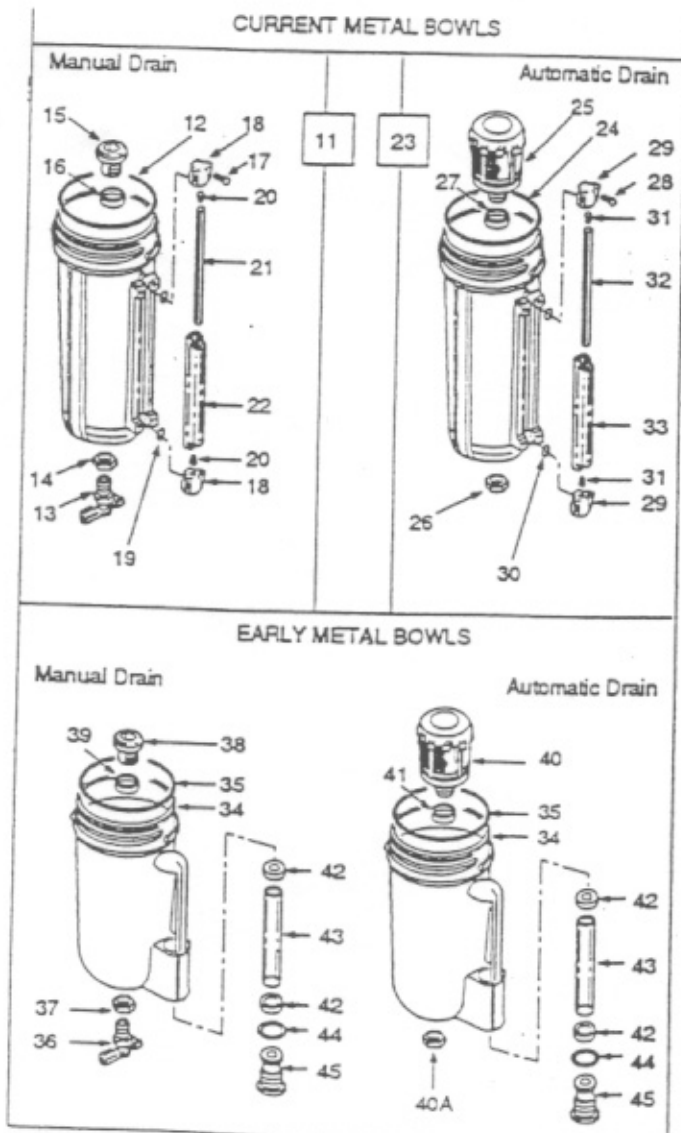


Separator for dryer models
 UA400, UA500
 UA625 & UA800AC

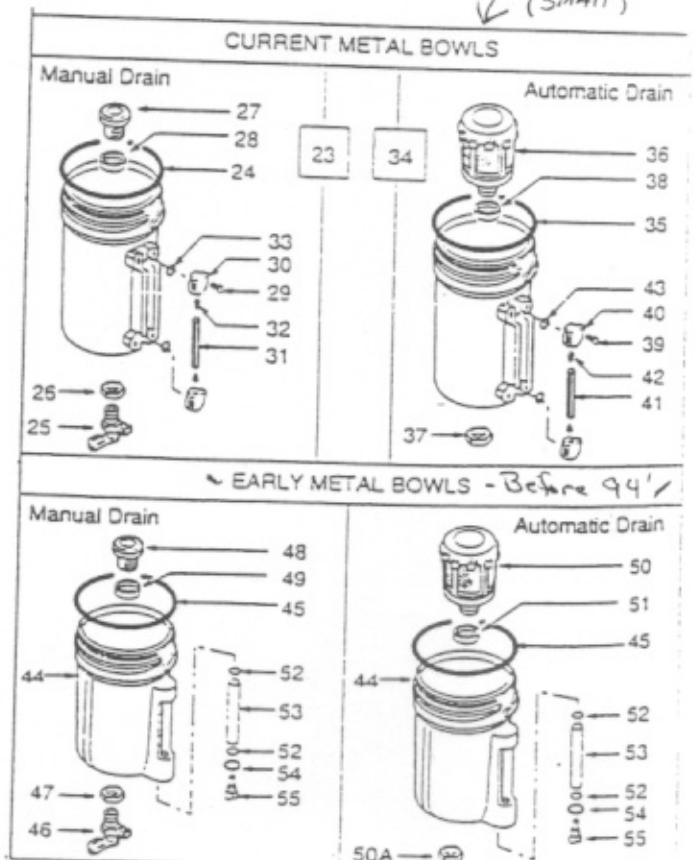
Fig. 4



A



2B



2A