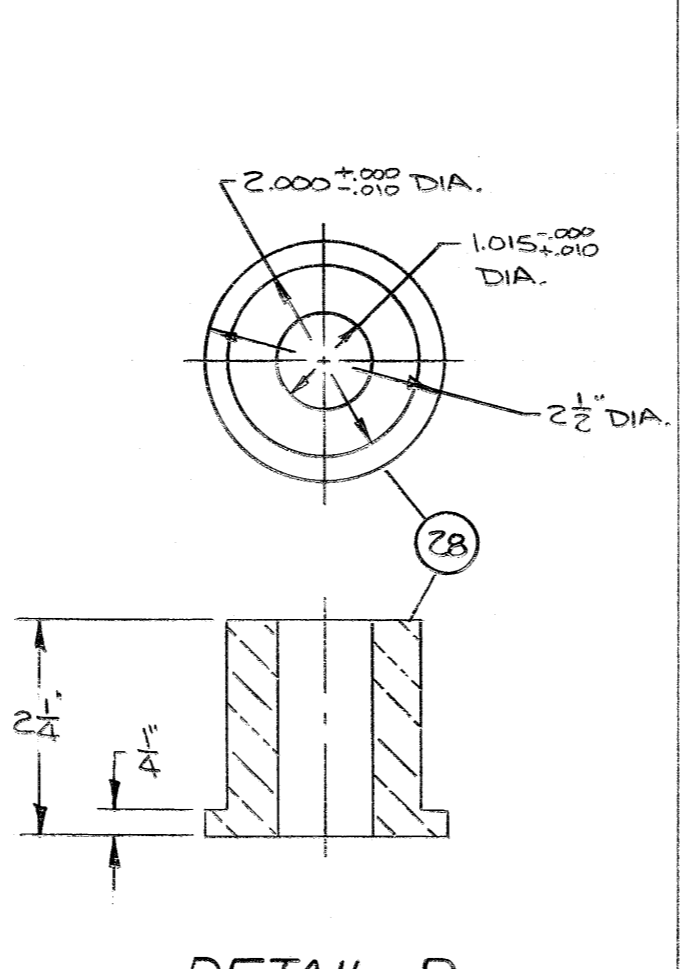
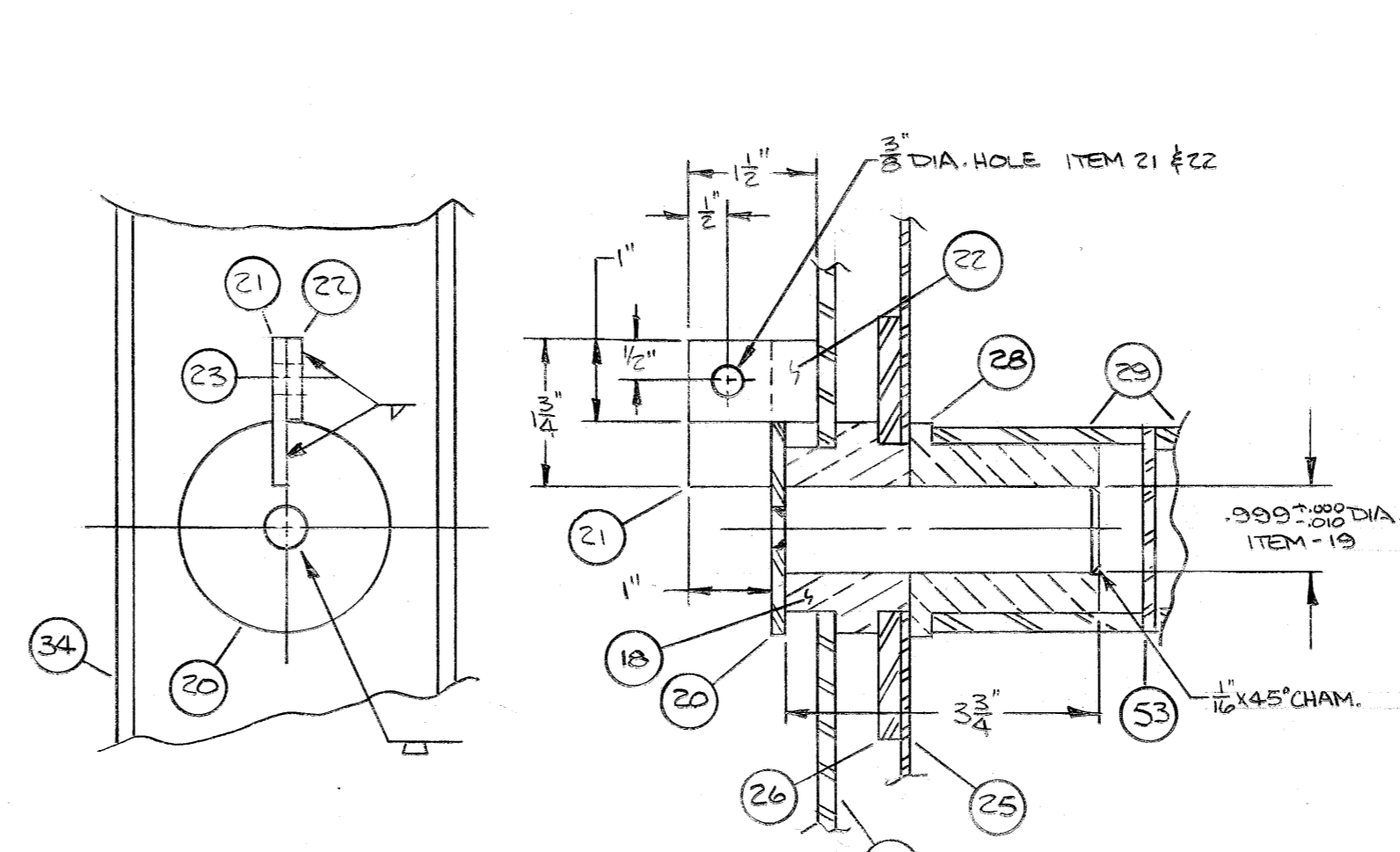


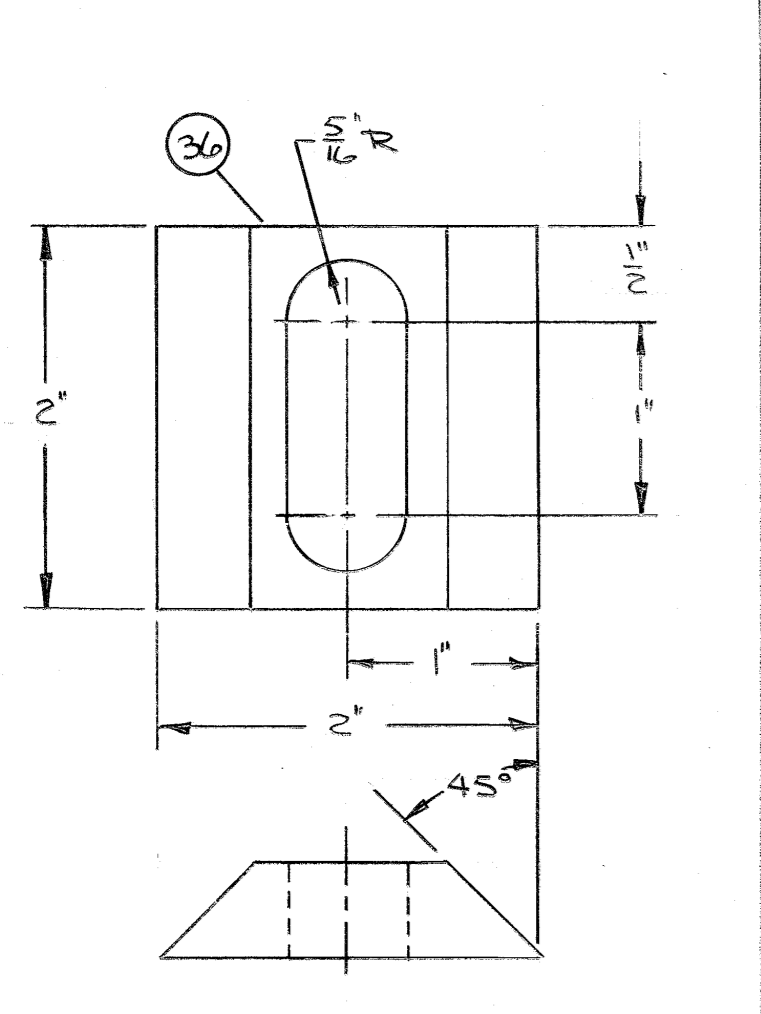
SECT. M-M



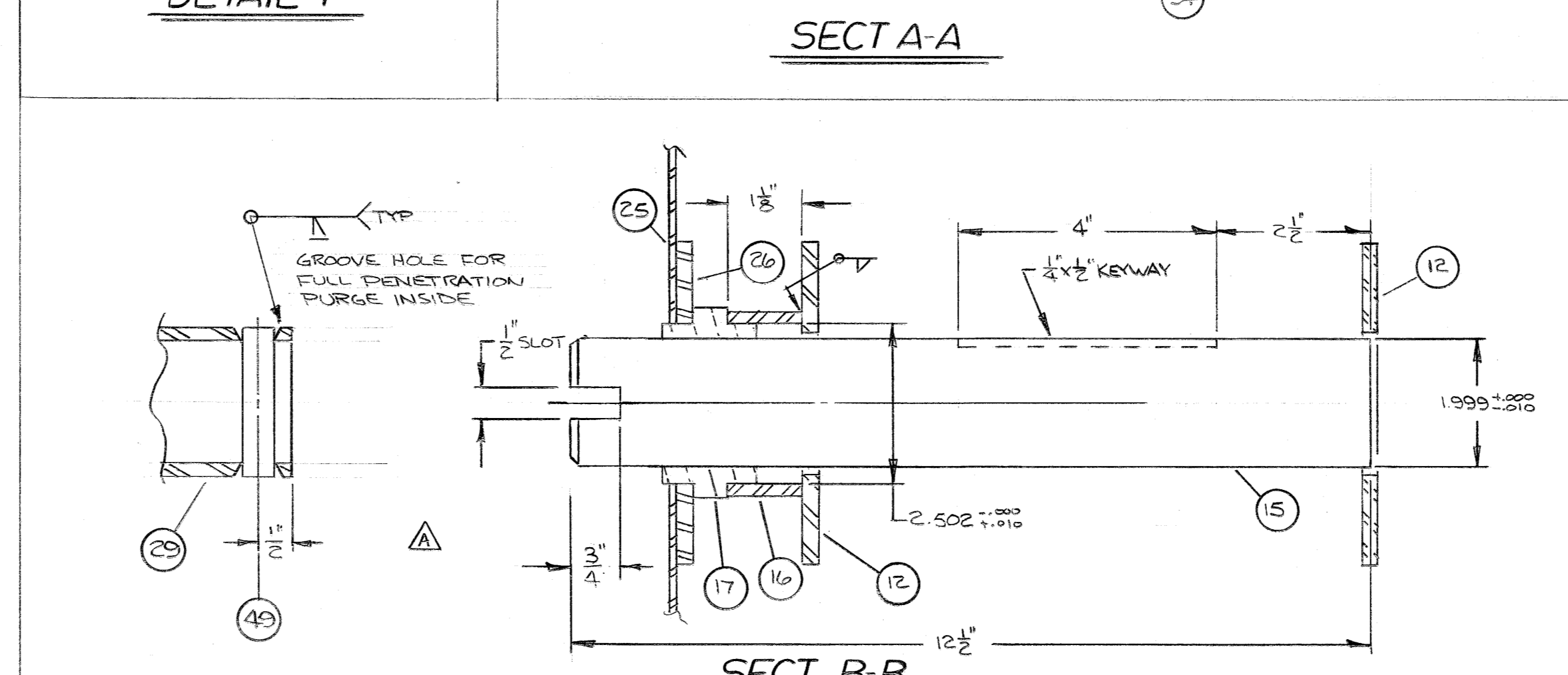
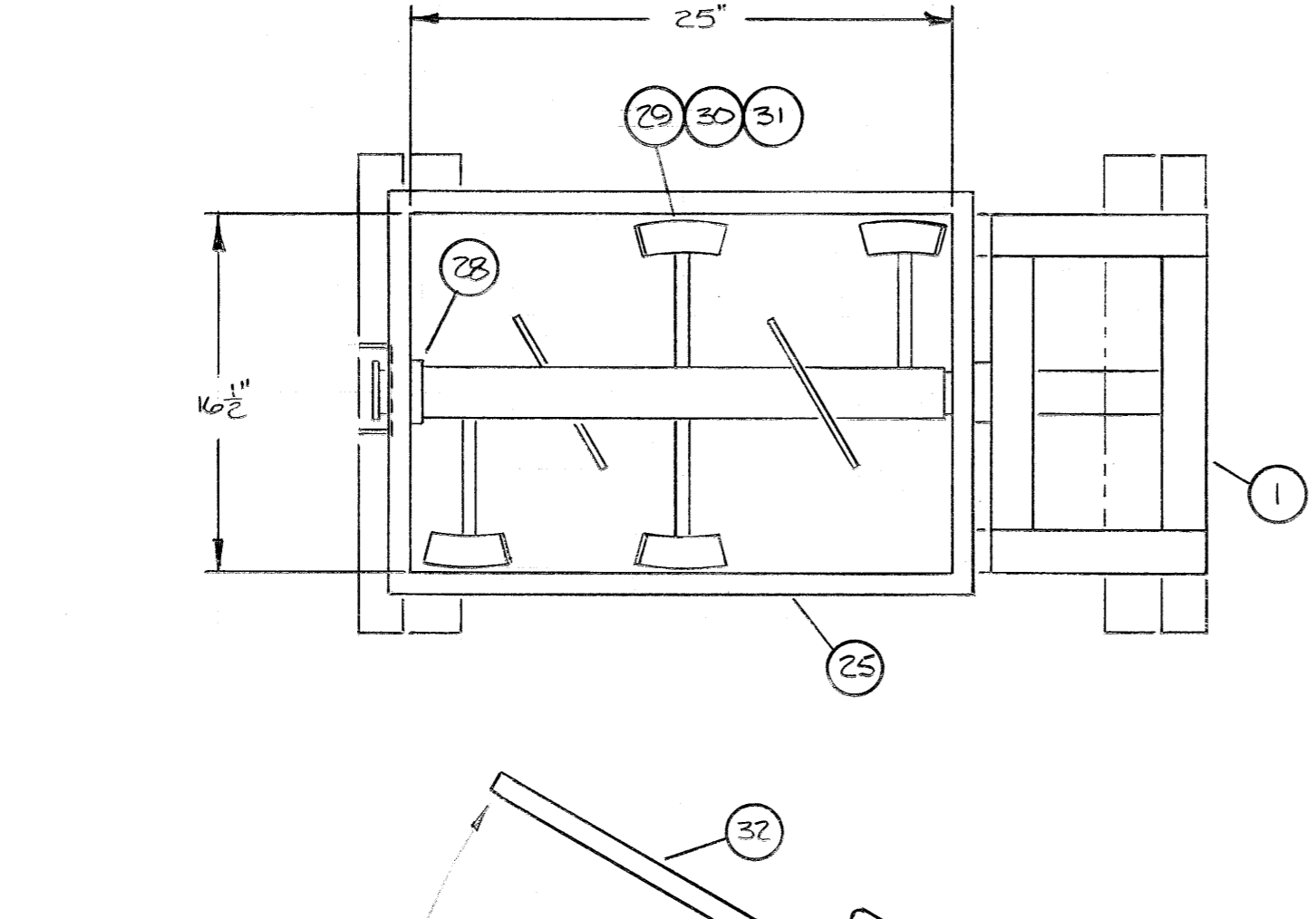
DETAIL P



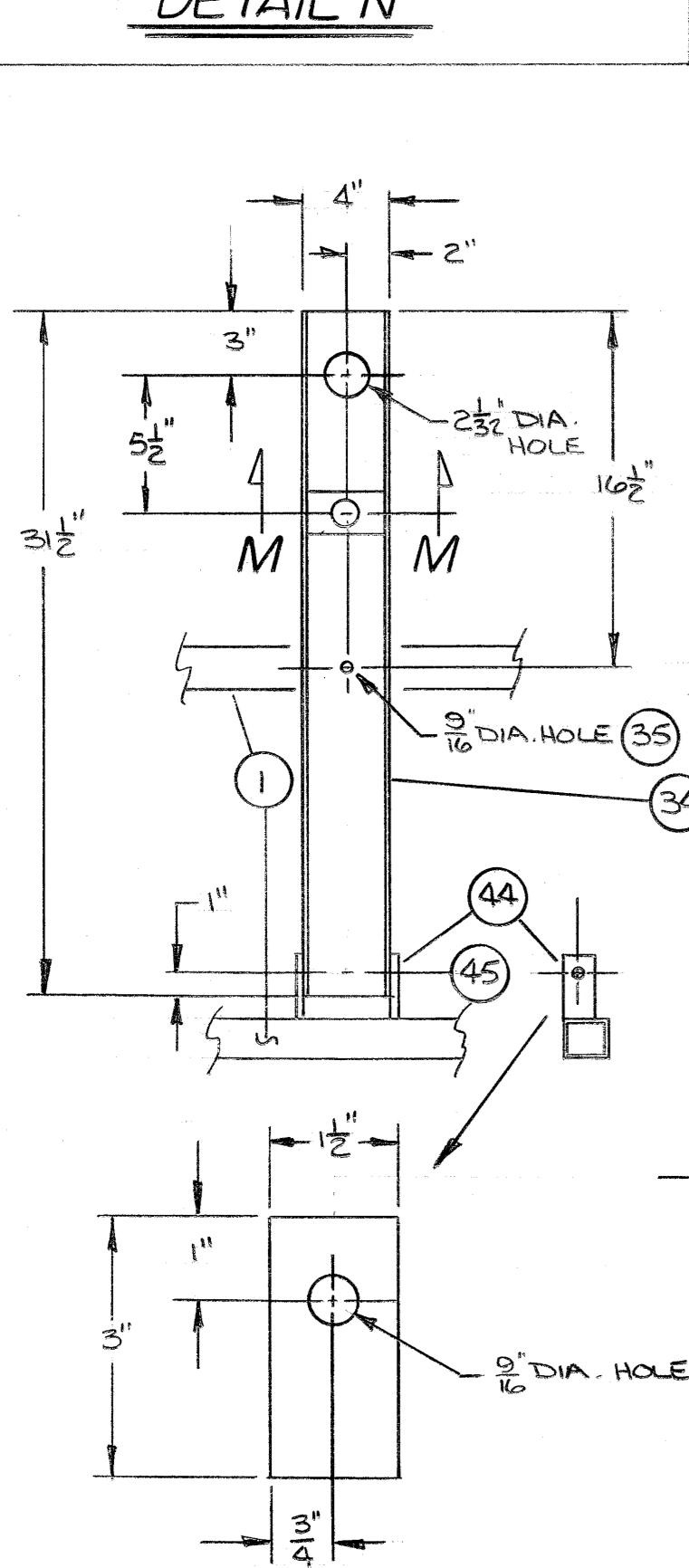
SECT A-A



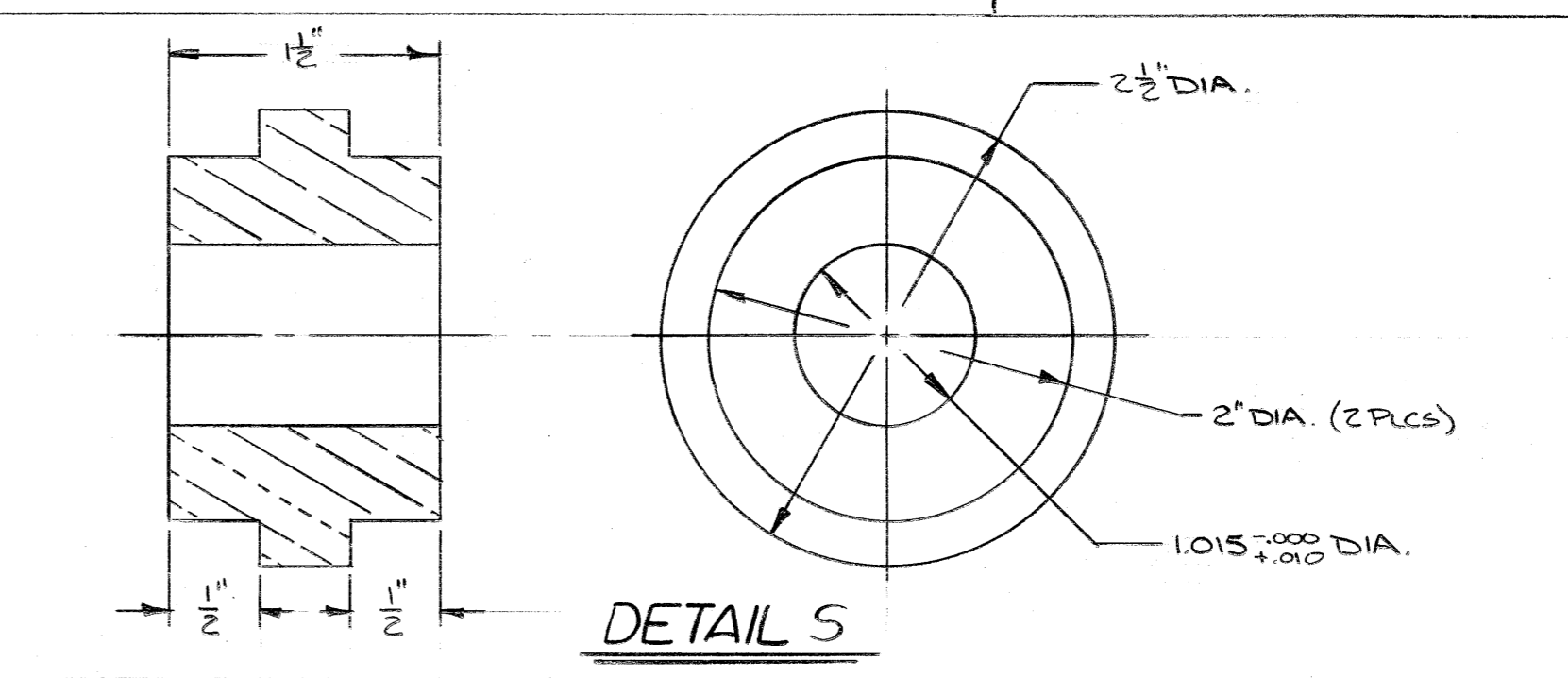
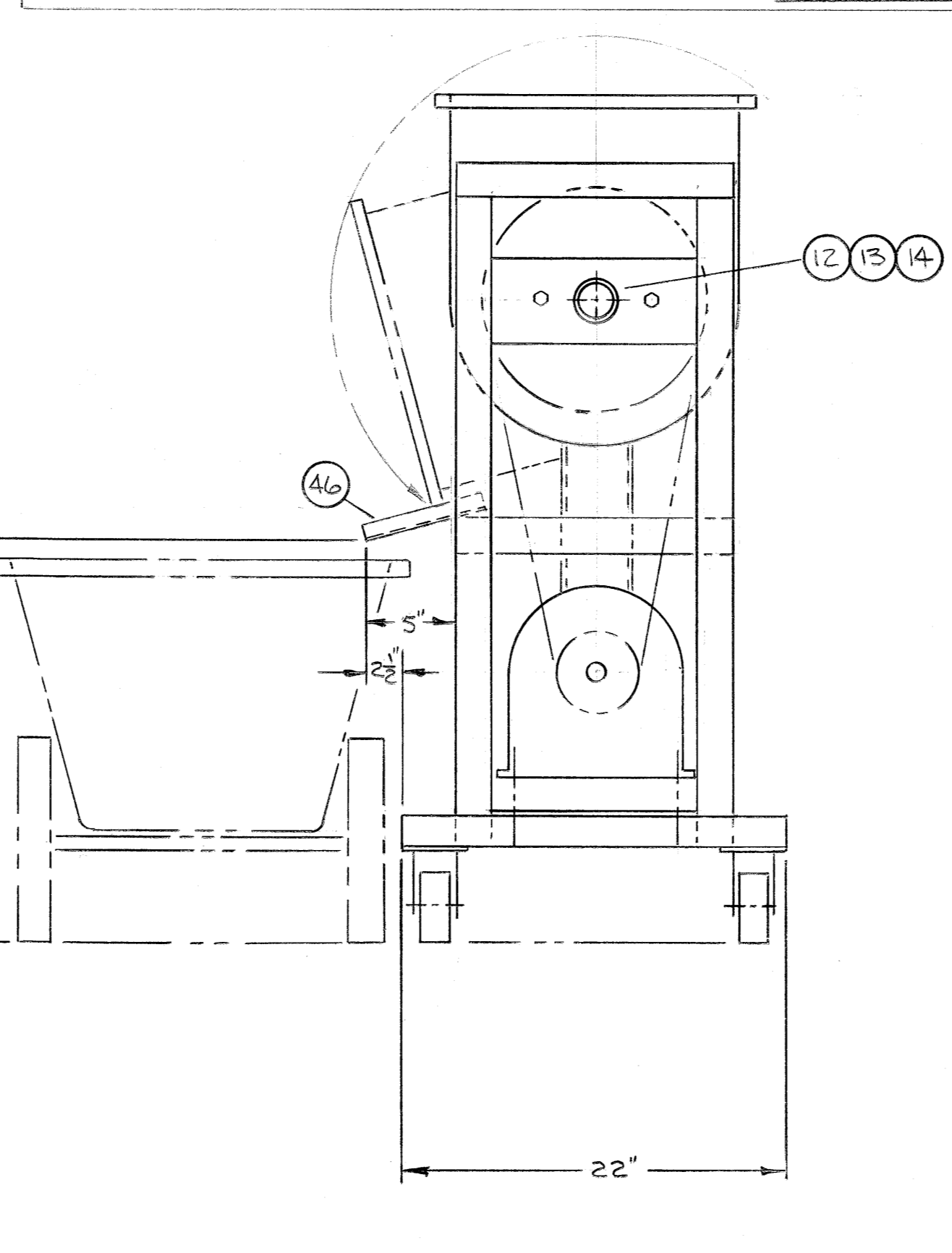
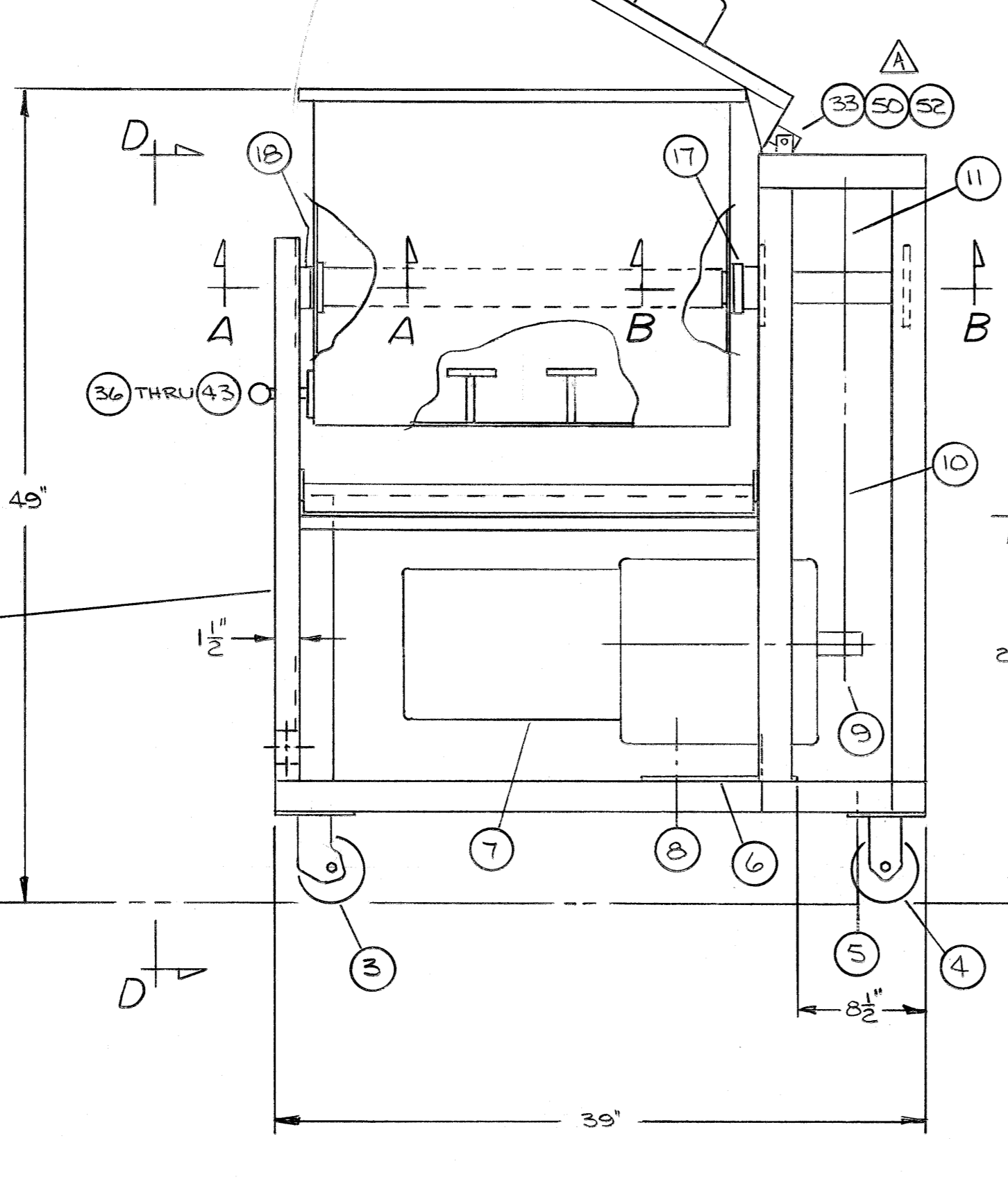
DETAIL N



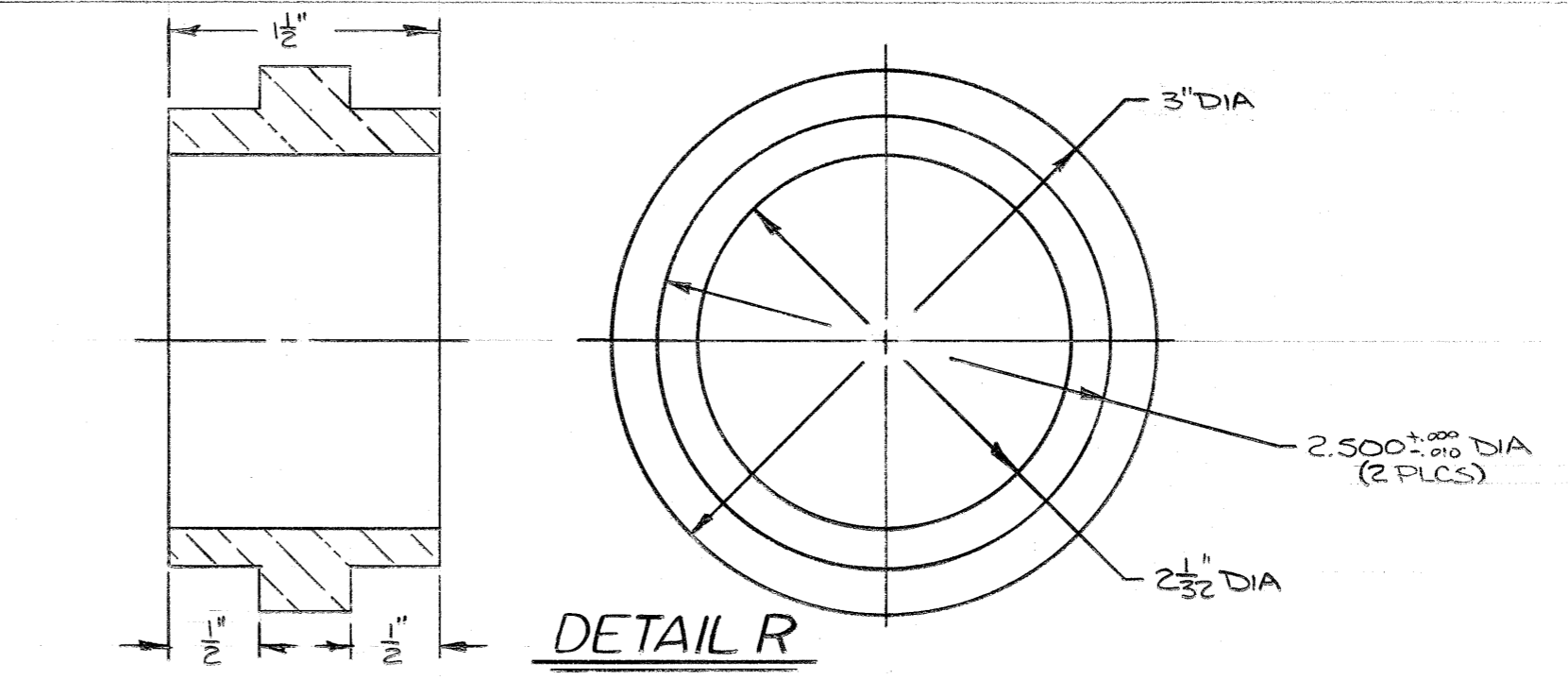
SECT. B-B



VIEW D-D



DETAIL S



DETAIL R

MODEL SRB

MATERIAL - 304 SS. EXCEPT DRIVE COMPONENTS.
 MATERIAL FINISH - GLASS BEAD EXCEPT MFG. STD. FINISHES.
 ELEC. - 230-460V / 60 HZ / 3Ø
 SHAFT SPEED - 15 to 45 RPM.
 CORD LENGTH - 25 FT.

ITEM NO.	QUANTITY	PART NO.	DESCRIPTION
* 1	-	DETAIL L	FRAME - 2" SQ. TUBE 304 SS.
2	-	CAP - 10 GA	304 SS.
3	2	CASTER - 4" SWIVEL W/LOCK	
4	2	CASTER - 4" RIGID	
5	16	STUD W/HEX. NUT - 3/8"-16NCX1/4"LG (18-8)	
* 6	1	DETAIL F	DRIVE MOUNT - 1/4"R 304 SS.
7	1	SIZE 14	DRIVE - HSV 3HP (FORMSPRAG) TYPE 41
8	4	ALL THD.	7/16"-14 NC X 4" LG W/4 NUTS (18-8)
9	1	80P13	SPROCKET 13T (BRNNG) W/1/8" BUSH.
10	-	#80	ROLLER CHAIN
11	1	80Q3B	SPROCKET 38T (BRNNG) W/2" BUSH.
* 12	2	DETAIL C	BEARING MOUNT - 1/4"R 304 SS.
13	4	HEX. HD. CAPSCREW - 1/2"-13NC X 1 1/2" LG W/NUT (18-8)	
14	2	SC-230T	BEARING (DODGE) 2" BORE
15	1	SECT. B-B	SHAFT - 2" DIA. X 12 1/2" LG 303 SS.
16	1	SECT. A-A	SLEEVE - 2 1/2" SCH 40 PIPE X 1 1/2" LG 304 SS.
17	1	DETAIL R	BUSHING - 3" DIA. X 1 1/2" LG UHMW.
18	1	DETAIL S	BUSHING - 2 1/2" DIA. X 1 1/2" LG UHMW.
19	1	SECT. A-A	PIN - 1" DIA. X 3/8" LG 304 SS.
20	1	WASHER - 7/16" X 1 1/2" ID. X 2 1/2" OD. 304 SS.	
21	1	LUG - 3/8" X 1" X 1 1/2" LG 304 SS.	
22	1	LUG - 3/8" X 1" X 1 1/2" LG 304 SS.	
23	1	PIN - 3/8" DIA. X 1" LG 304 SS. (92384A022 MFCARR)	
24	1	HAIRPIN CLIP - 3/32" DIA. SS.	
* 25	-	DETAIL J	BOWL - 14 GA. 304 SS.
26	2	END PLATE - 1/4"R 304 SS.	
* 27	4	MIXER BAR - 1/2" DIA. ROUND 304 SS.	
28	1	DETAIL P	SHAFT END GUIDE - 2 1/2" DIA. X 2 1/4" LG UHMW
* 29	1	DETAIL E	RIBBON SHAFT - 2" SCH 80 PIPE X 24" LG 304 SS.
30	6	STAND OFF - 3/4" DIA. X 5 3/8" LG 304 SS.	
* 31	6	RIBBON SEGMENT - 7 GA. 304 SS.	
* 32	1	DETAIL K	COVER - 16 GA. 304 SS.
33	4	DETAIL Q	HINGE LUG - 1/4"X 1/2" BAR X 2" LG 304 SS.
34	1	VIEW D-D	SUPPORT CHANNEL - 7 GA. X 1 1/2" X 4" 304 SS.
35	1	STUD - 1/2"-13NC X 1 1/2" LG W/WING NUT (18-8)	
36	1	DETAIL N	STOP BLOCK - 1/2"R X 2" SQ. 304 SS.
37	1	SECT. M-M	WASHER - 7 GA. X 1 1/2" ID X 1 1/4" OD 304 SS.
38	1	9435K144	SPRING (MFCARR) .063 WIRE X 1.70 OD. X 2" LG SS.
39	1	SECT. M-M	PIN - 1/2" DIA. X 3/4" LG 304 SS.
40	1	6046K23	KNOB - (MFCARR) 1 3/8" DIA. - BLK
41	1	SECT. M-M	BOLT PLATE - 7 GA X 2" X 4" LG 304 SS.
42	2	BOLT LUG - 7 GA. X 3/4" X 2" LG 304 SS.	
43	2	HEX. HD. CAPSCREW - 1/4"-20NC X 3/4" LG W/NUT (18-8)	
44	2	VIEW D-D	SUPPORT TAB - 3/8" X 1 1/2" BAR X 3" LG 304 SS.
45	1	HEX. HD. CAPSCREW - 1/2"-13NC X 5 1/2" LG W/LOCKNUT (18-8)	
* 46	1	DETAIL H	CHUTE - 12 GA. 304 SS.
47	4	DETAIL G	CASTER MOUNT - 7 GA. TB 304 SS.
* 48	1	DETAIL K	HANDLE - 3/8" DIA. ROUND 304 SS.
49	1	PIN - 1/2" DIA. X 2 3/8" LG 304 SS.	
50	1	HAIRPIN CLIP - 3/32" DIA. SS.	
51	-	CHAIN GUARDS	16 GA. 304 SS.
* 52	1	DETAIL Q	PIN - 3/8" DIA. X 1 1/2" LG 304 SS.
53	2	DETAIL E	CAP PLATE - 1/4"R X 2 3/8" DIA. 304 SS.

* SEE FD 0287 FOR DETAILS

Custom METALCRAFT INC.
 2332 E. Division, P.O. Box 787 H.S. Jewell Station,
 Springfield, Missouri 65801 phone (417) 862-0707

THIS DRAWING CONTAINS INFORMATION PROPRIETARY TO CUSTOM METALCRAFT INCORPORATED. IT IS SUBMITTED IN CONFIDENCE AND IS TO BE USED SOLELY FOR THE PURPOSE FOR WHICH IT IS FURNISHED AND RETURNED UPON REQUEST. THIS DRAWING AND SUCH INFORMATION IS NOT TO BE REPRODUCED, TRANSMITTED, DISCLOSED OR USED OTHERWISE IN WHOLE OR IN PART WITHOUT THE WRITTEN AUTHORIZATION OF CUSTOM METALCRAFT INCORPORATED.

TITLE
150# BLENDER (SRB)

CUSTOMER
BANQUET FOODS

NO REQ'D.	WORK ORDER NO.	PURCHASE ORDER NO.
2	2632	E00283 & E00290
DRAWN BY	DATE	APPROVED BY
JMS	6-15-83	
DRAWING NO.	REVISION	
FD 0286	A	

REVISION SYMBOL	REVISED BY	DATE	DESCRIPTION OF CHANGE
A	JMS	7-14-83	CHG'D FROM REMOVABLE PIN TO FIXED SECT. B-B. REMOVED PIANO HINGE - FAB LUGS