

## Carlyle Open-Drive Reciprocating Compressor

Mfg: Carlyle

Model: 5F40-149

Stock No. LYNT004.

Serial No. 2698J01090

Carlyle Open-Drive Reciprocating Compressor. Model 5F40-149. S/N 2698J01090. Cylinders: 4. Nominal hp: 20. Output: 39.8 cfm @ 1750 rpm. Slightly used. Complete with water cooled heads, external unloaders, auxiliary external oil pump, service valves and mounting frame.



CAT NO 580-572

CODES: 111

COMPRESSOR

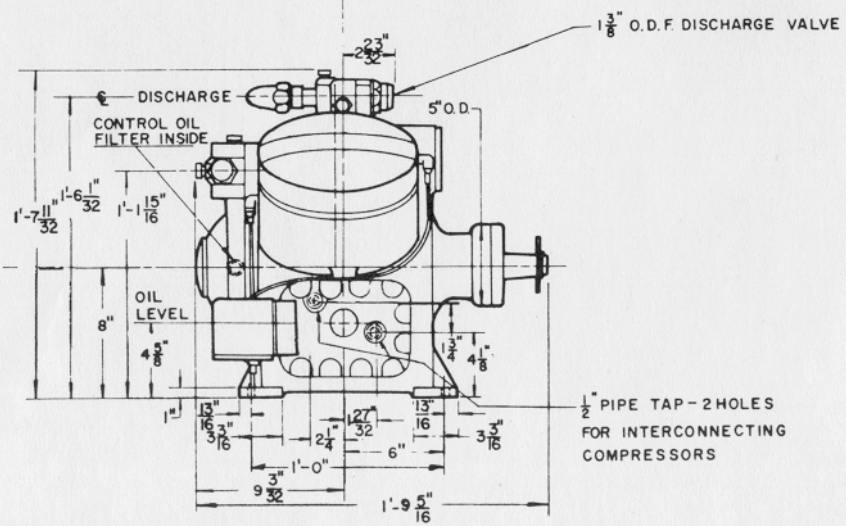
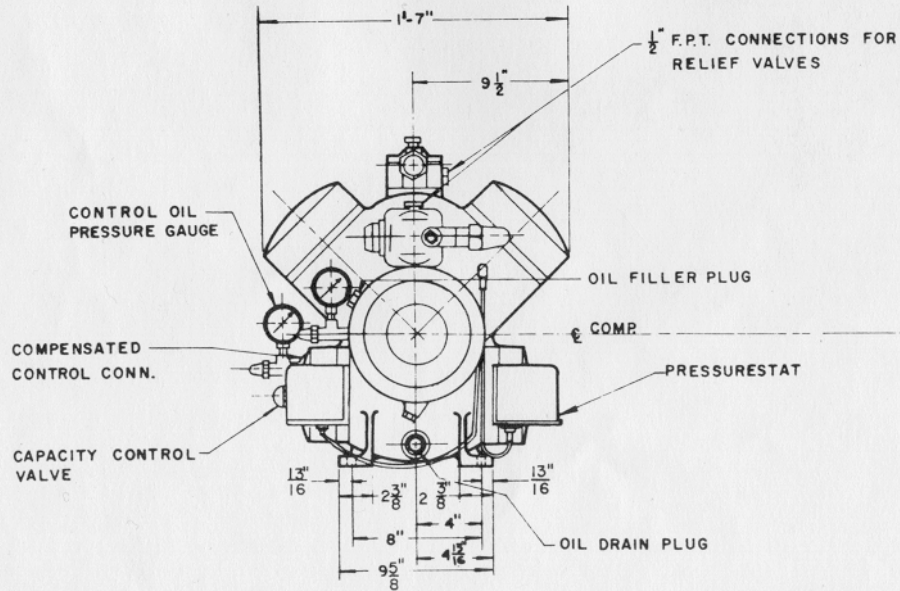
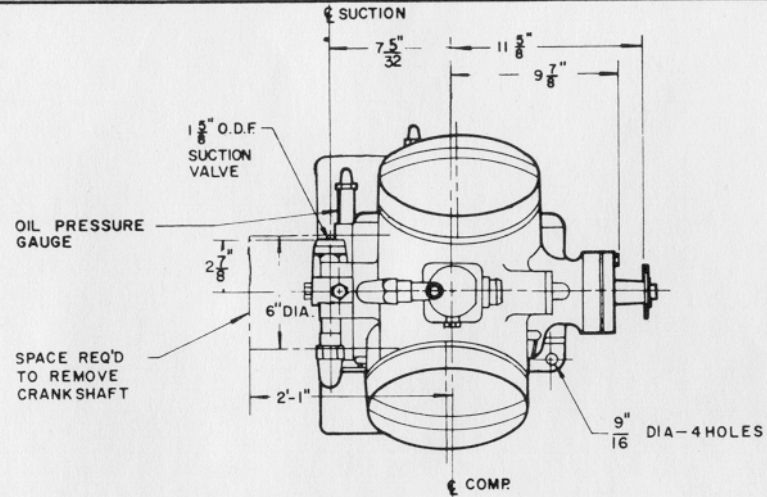
JOB NAME \_\_\_\_\_  
 JOB LOCATION \_\_\_\_\_  
 BUYER \_\_\_\_\_  
 BUYER NO. \_\_\_\_\_ CARRIER NO. \_\_\_\_\_  
 DIMENSIONS CERTIFIED BY \_\_\_\_\_ DATE \_\_\_\_\_

MARK FOR \_\_\_\_\_  
 PART NO. \_\_\_\_\_ TYPE DRIVE:  DIRECT  BELT  
 RPM \_\_\_\_\_ DESIGN BHP INPUT \_\_\_\_\_ MOTOR HP \_\_\_\_\_  
 SAT SUCTION TEMP \_\_\_\_\_ F. SAT DISCHARGE TEMP \_\_\_\_\_ F  
 REFRIGERATION EFFECT \_\_\_\_\_ TONS. REFRIGERANT NO. \_\_\_\_\_

NOTES:

1. SHAFT DETAIL DRAWING 5F-531
2. COMPRESSOR MAY BE OPERATED IN EITHER DIRECTION OF ROTATION. STANDARD ROTATION IS COUNTER CLOCKWISE LOOKING FROM THE PUMP END; FOR REVERSE ROTATION ROTATE OIL PUMP 180°.
3. NET WEIGHT 355LBS. INCLUDES OIL BUT NOT REFRIGERANT CHARGE.

	YES	NO
FLYWHEEL	<input type="checkbox"/>	<input type="checkbox"/>
WATER COOLED HEADS	<input type="checkbox"/>	<input type="checkbox"/>
CRANKCASE COVER PLATES FOR COMPRESSOR INTERCONNECTION	<input type="checkbox"/>	<input type="checkbox"/>




DR. S. M. S.	TR. G. R. C.	DATE 8-30-76
CHK. C. E. D.	APPD. C. E. D.	SUPERSEDES ISSUE OF 5-10-61

5F40 COMPRESSOR ASSEMBLY

5F-040

REV. A



THIS DRAWING IS THE PERSONAL PROPERTY OF  
 CARRIER AIR CONDITIONING COMPANY  
 DIVISION OF CARRIER CORPORATION, SYRACUSE, N.Y.  
 ALL USE IS FORBIDDEN EXCEPT ON ITS WRITTEN CONSENT

5F