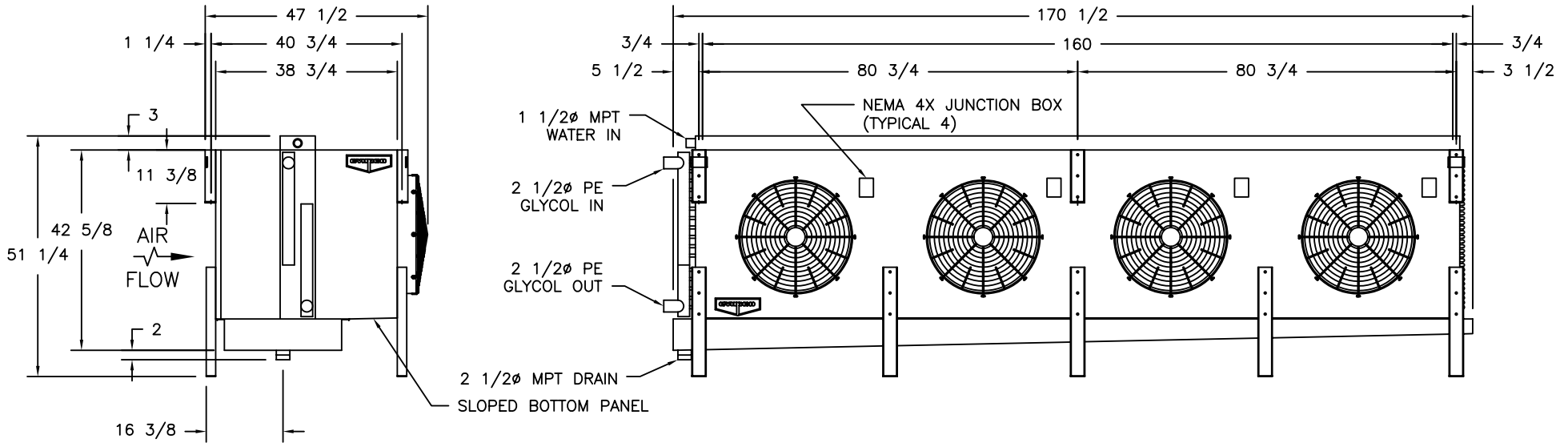


- APPROVED AS SUBMITTED – RELEASE FOR PRODUCTION
- APPROVED AS NOTED – RELEASE FOR PRODUCTION
- CHANGE AS NOTED (RESUBMIT)


SHIPMENT REQUIRED: _____

SIGNATURE: _____ DATE: _____



NOTES:

- 1) ALL HANGER & LEG HOLES ARE 13/16 ϕ
- 2) THE EVAPORATOR CONNECTION SIZES (SHOWN) DO NOT NECESSARILY CORRESPOND TO THE APPROPRIATE SYSTEM PIPE SIZES.
- 3) DO NOT SCALE DRAWING. CONNECTION LOCATIONS ARE APPROXIMATE, DO NOT USE FOR PREFABRICATION OF PIPING.

QTY.	1	MODEL	TFC4X 3744-075P	CERTIFIED FOR	GENERAL MILLS OPERATIONS - 4-104914	PROJECT	GENERAL MILLS
PERFORMANCE DATA:		FAN DATA:		PHYSICAL DATA: EXCLUSIVE PATENTED THERMAL-PAK [®] FINNED COIL		ROOM	
4.5 TONS 54,000 BTUH		15,000 CFM @ 0" ESP		36.67 SQ. FT. FACE AREA		ICE STORAGE	
14.3 GPM 40% P.G. HX FLUID		409 FPM FACE VELOCITY		W/A CU. FT. COIL VOLUME		REFERENCE	
20.0°F INLET TEMP. 28.1°F OUTLET TEMP.		(1) 0.75 HP TEAO FAN MOTORS		4 ROWS DEEP 4 FPI		PAGE	
36.0°F ENTERING AIR TEMPERATURE		1160 RPM 460/3/60 SERVICE		1,842 LBS. NORMAL OPERATING WEIGHT			
3.9 PSI COIL PRESSURE DROP		1.7 DESIGN MOTOR AMPS		1,646 LBS. SHIPPING WEIGHT			
REMARKS: COPPER / ALUMINUM COIL. WASHDOWN DUTY MOTORS.							
UNITS TO SHIP WITH FOLLOWING ITEMS LOOSE: RTD; WORCHESTER 3-WAY GLYCOL CONTROL VALVE.							
STAINLESS STEEL CASING, PAN AND PAN COVER. TOP WATER WASH (20 G.P.M. @ 1.0 P.S.I.G.)							
						P.O. Box 1300 Westminster, Maryland 21158 USA Phone (410)756-2600 Fax (410)756-6450 REV: #2-04/22/04-PB DATE: 04/02/04 SW	