

TECHNICAL SERVICE MANUAL: INSTALLATION, OPERATION & MAINTENANCE

UNIVERSAL PRODUCT LINE: CAST IRON



124A SERIES™, 124AE SERIES™, 1124A SERIES™, 1124AE SERIES™,
 4124A SERIES™, 4124AE SERIES™, 4124B SERIES™, 224A SERIES™, 224AE SERIES™,
 1224A SERIES™, 1224AE SERIES™, 4224A SERIES™, 4224AE SERIES™, 4224B SERIES™,
 324A SERIES™, 1324A SERIES™, 4324A SERIES™

SIZES: G, H, HL, AK, AL, K, KK, L, LQ, LL, LS, Q, QS, M, N, R, RS

TSM	1400
Page	1 of 25
Issue	E

TABLE OF CONTENTS

Model Number Chart..... 1

Safety Information & Instructions..... 2

Introduction..... 3

Special Information..... 3

Rotation..... 3

Circulation Lines..... 3

Jacketed Ports..... 3

Pressure Relief Valves..... 3

Mechanical Seals..... 3

Maintenance..... 3

Lubrication..... 3

Packing Adjustment..... 3

Cleaning Pump..... 3

Storage..... 4

Suggested Repair Tools..... 4

Removal: Cartridge Mechanical Seal..... 7

Installation: Cartridge Mechanical Seal..... 7

Removal: Component Mechanical Seal..... 8

Installation: Component Mechanical Seal..... 8

Removal: O-Pro® Barrier Seal..... 9

Installation: O-Pro® Barrier Seal..... 10

Removal: Packing..... 10

Installation: Packing..... 11

Pump Disassembly..... 11

Pump Assembly..... 12

Thrust Bearing Adjustment..... 13

Installation: Carbon Graphite Bushings..... 14

Relubrication..... 14

Pressure Relief Valve Instructions..... 15

Disassembly..... 15

Assembly..... 15

Pressure Adjustment..... 15

Important Ordering Information..... 15

APPENDIX (Formerly TSM 000)..... 16

General Installation Notes..... 16

Foundation..... 17

Component & Unit Lifting Features..... 17

Alignment..... 19

Piping..... 19

Start Up..... 20

Troubleshooting..... 21

Vacuum Gauge - Suction Port..... 21

Pressure Gauge - Discharge Port..... 21

Rapid Wear..... 22

Preventative Maintenance..... 23

Do's & Don'ts..... 23

Installation..... 23

Operation..... 23

Maintenance..... 24

ESB-515..... 24

Lubrication of Viking Pumps..... 24

Lubrication of Viking Reducers..... 24

Lubrication of Viking Associative Equipment..... 24

MODEL NUMBER CHART

NON-JACKETED				JACKETED			
Packed	Mech. Seal	O-Pro® Barrier Seal	Behind the Rotor Seal	Packed	Mech. Seal	O-Pro® Barrier Seal	Behind the Rotor Seal
G124A	G4124A		G4124B				
H124A	H4124A	H1124A	H4124B	H224A	H4224A	H1224A	H4224B
HL124A	HL4124A	HL1124A	HL4124B	HL224A	HL4224A	HL1224A	HL4224B
AK124A	AK4124A		AK4124B				
AL124A	AL4124A						
K124A	K4124A	K1124A	K4124B	K224A	K4224A	K1224A	K4224B
KK124A	KK4124A	KK1124A	KK4124B	KK224A	KK4224A	KK1224A	KK4224B
L124A	L4124A	L1124A		L224A	L4224A	L1224A	
L124AE	L4124AE	L1124AE	L4124B	L224AE	L4224AE	L1224AE	L4224B
LQ124A	LQ4124A	LQ1124A		LQ224A	LQ4224A	LQ1224A	
LQ124AE	LQ4124AE	LQ1124AE	LQ4124B	LQ224AE	LQ4224AE	LQ1224AE	LQ4224B
LL124A	LL4124A	LL1124A		LL224A	LL4224A	LL1224A	
LL124AE	LL4124AE	LL1124AE	LL4124B	LL224AE	LL4224AE	LL1224AE	LL4224B
LS124A	LS4124A	LS1124A	LS4124B	LS224A	LS4224A	LS1224A	LS4224B
Q124A	Q4124A	Q1124A	Q4124B	Q224A	Q4224A	Q1224A	Q4224B
QS124A	QS4124A	QS1124A	QS4124B	QS224A	QS4224A	QS1224A	QS4224B
M124A	M4124A			M224A	M4224A		
				N324A	N4324A	N1324A	
				R324A	R4324A	R1324A	
				RS324A	RS4324A	RS1324A	

FIGURE 1:
G, H, HL SIZES
 (H4124A SHOWN)



FIGURE 2: AK, AL, K, KK,
 L, LQ, LL, LS SIZES
 (KK1124A SHOWN)



FIGURE 3:
Q, QS, M SIZES
 (Q4224B SHOWN)



FIGURE 4:
N, R, RS SIZES
 (N4324A SHOWN)



NOTE: 124AE, 4124AE, 224AE, 4224AE, 1124AE & 1224AE SERIES™ PUMPS DISCONTINUED AS OF 4Q20.

SAFETY INFORMATION & INSTRUCTIONS

IMPROPER INSTALLATION, OPERATION OR MAINTENANCE OF PUMP MAY CAUSE SERIOUS INJURY OR DEATH, AND/OR RESULT IN DAMAGE TO PUMP AND/OR OTHER EQUIPMENT. VIKING'S WARRANTY DOES NOT COVER FAILURE DUE TO IMPROPER INSTALLATION, OPERATION OR MAINTENANCE.

THIS INFORMATION MUST BE FULLY READ BEFORE BEGINNING INSTALLATION, OPERATION OR MAINTENANCE OF PUMP, AND MUST BE KEPT WITH PUMP. PUMP MUST BE INSTALLED, OPERATED AND MAINTAINED ONLY BY SUITABLY TRAINED AND QUALIFIED PERSONS.

THE FOLLOWING SAFETY INSTRUCTIONS MUST BE FOLLOWED AND ADHERED TO AT ALL TIMES.

 **DANGER** = FAILURE TO FOLLOW THE INDICATED INSTRUCTION MAY RESULT IN SERIOUS INJURY OR DEATH.

 **WARNING** = IN ADDITION TO SERIOUS INJURY OR DEATH, FAILURE TO FOLLOW THE INDICATED INSTRUCTION MAY CAUSE DAMAGE TO PUMP AND/OR OTHER EQUIPMENT

DANGER

BEFORE opening any liquid chamber (pumping chamber, reservoir, relief valve adjusting cap fitting, etc.) be sure that:

- Any pressure in the chamber has been completely vented through the suction or discharge lines or other appropriate openings or connections.
- The pump drive system (motor, turbine, engine, etc.) has been "locked out" or otherwise been made non-operational, so that it cannot be started while work is being done on the pump.
- You know what material the pump has been handling, have obtained a material safety data sheet (MSDS) for the material, and understand and follow all precautions appropriate for the safe handling of the material.

DANGER

BEFORE operating the pump, be sure all drive guards are in place.

DANGER

DO NOT operate pump if the suction or discharge piping is not connected.

DANGER

DO NOT place fingers into the pumping chamber, or its connection ports, or into any part of the drive train if there is any possibility of the pump shaft being rotated.

WARNING

DO NOT exceed the pumps rated pressure, speed, and temperature, or change the system/duty parameters from those the pump was originally supplied, without confirming its suitability for the new service.

WARNING

BEFORE operating the pump, be sure that:

- It is clean and free from debris.
- All valves in the suction and discharge pipelines are fully opened.
- All piping connected to the pump is fully supported and correctly aligned with the pump.
- Pump rotation is correct for the desired direction of flow.

WARNING

INSTALL pressure gauges/sensors next to the pump suction and discharge connections to monitor pressures.

WARNING

USE extreme caution when lifting the pump. Suitable lifting devices should be used when appropriate. Lifting eyes installed on the pump must be used only to lift the pump, not the pump with drive and/or base plate. If the pump is mounted on a base plate, the base plate must be used for all lifting purposes. If slings are used for lifting, they must be safely and securely attached. For weight of the pump alone (which does not include the drive and/or base plate) refer to the Viking Pump® product catalog.

DANGER

DO NOT attempt to dismantle a pressure relief valve that has not had the spring pressure relieved or is mounted on a pump that is operating.

DANGER

AVOID contact with hot areas of the pump and/or drive. Certain operating conditions, temperature control devices (jackets, heat-tracing, etc.), improper installation, improper operation, and improper maintenance can all cause high temperatures on the pump and/or drive.

WARNING

THE PUMP must be provided with pressure protection. This may be provided through a relief valve mounted directly on the pump, an in-line pressure relief valve, a torque limiting device, or a rupture disk. If pump rotation may be reversed during operation, pressure protection must be provided on both sides of pump. Relief valve adjusting screw caps must always point towards suction side of the pump. If pump rotation is reversed, position of the relief valve must be changed. Pressure relief valves cannot be used to control pump flow or regulate discharge pressure. For additional information, refer to **Appendix, General Installation Notes**, item 5 on Pressure Protection or contact your Viking Pump® representative for Engineering Service Bulletin ESB-31.

WARNING

THE PUMP must be installed in a manner that allows safe access for routine maintenance and for inspection during operation to check for leakage and monitor pump operation.

NOTE: 124AE, 4124AE, 224AE, 4224AE, 1124AE & 1224AE SERIES™ PUMPS DISCONTINUED AS OF 4Q20.

INTRODUCTION

The illustrations used in this manual are for identification purposes only and cannot be used for ordering parts. Obtain a parts list from your Viking Pump® representative. Always give a complete name of part, part number and material with the model number and serial number of pump when ordering repair parts. The unmounted pump or pump unit model number and serial number are on the nameplate. This manual only applies to the pump models specified in the "Model Number Chart" on page 1. Pump specifications and recommendations are listed in the Catalog Sections, which are available at vikingpump.com.

SPECIAL INFORMATION

ROTATION

Viking pumps can operate equally well in a clockwise or counter-clockwise rotation; however, some constructions may require modifications. Consult your Viking Pump® representative if unsure. Shaft rotation determines which port is suction and which is discharge. Suction port is where pumping elements (gear teeth) come out of mesh.

If pump rotation is reversed during operation, pressure protection must be provided on both sides of pump.

Relief valve adjusting screw cap must always point towards suction side of pump. If pump rotation is reversed, remove pressure relief valve and turn end for end.

CIRCULATION LINES

This equipment (not utilized on all pumps) must be connected properly. Packed pumps typically have a flush line from packing chamber to **discharge** port. Mechanical seal pumps typically have a suckback line from seal chamber to suction port. If pump rotation is reversed, be sure circulation connections are connected to the suction or discharge port as noted above to avoid excessive leakage or damage to pump. If pump is handling heated product, be sure circulation line is insulated to assure continued flow.

JACKETED PORTS

Jackets are utilized to heat (or cool) the pump and liquid in the pump prior to startup. Not all pumps have ports for jacketing. Jacketing port locations vary by model.

PRESSURE RELIEF VALVES

1. Viking pumps are positive displacement pumps and must be provided with some sort of pressure protection. This may be a relief valve mounted directly on the pump, an inline pressure relief valve, a torque limiting device or a rupture disk.
2. There are relief valve options available on those pump models designed to accept a relief valve. Options may include a jacketed relief valve or return to tank relief valve.
3. If pump rotation is reversed during operation, pressure protection must be provided on **both** sides of pump.
4. Relief valve adjusting screw cap must **always** point towards suction side of pump, see "Figure 5" on page 15. If pump rotation is reversed, remove pressure relief valve and turn end for end.
5. Pressure relief valves cannot be used to control pump flow or regulate discharge pressure.

For additional information on pressure relief valves, Refer to **Appendix, General Installation Notes**, item 5 on Pressure Protection or contact your Viking Pump® representative for Engineering Service Bulletin ESB-31.

MECHANICAL SEALS

Extra care should be taken in repair of pumps with mechanical seals. Be sure to read and follow all special instructions supplied with your pump.

MAINTENANCE

These pumps are designed for long, trouble-free service life under a wide variety of application conditions with a minimum of maintenance. The points listed below will help provide long service life.

LUBRICATION

External lubrication must be applied slowly with a hand gun to all lubrication fittings every 500 hours of operation with multi-purpose grease, NLGI # 2. Contact your Viking Pump® representative with specific lubrication questions. **Engineering Service Bulletin ESB-515** is located in the **Appendix** for standard grease thickener types used by Viking to check compatibility. Applications involving very high or low temperatures will require other types of lubrication. O-Pro® seals should also be greased every 500 hours of operation with a lubricating fluid compatible with the process fluid.

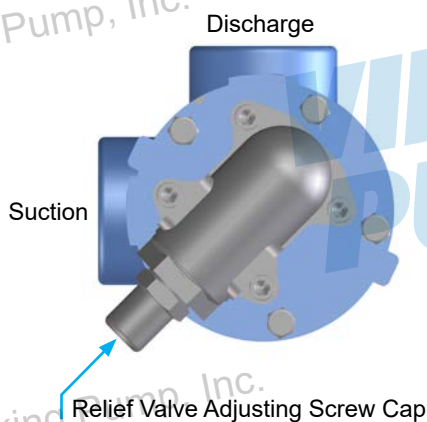
PACKING ADJUSTMENT

New packed pumps require initial packing adjustment to control leakage as packing "runs in". Make initial adjustments carefully and do not over-tighten packing gland. After initial adjustment, inspection will reveal need for packing gland adjustment or packing replacement. Contact your Viking Pump® representative for Engineering Service Bulletin ESB-521 regarding repacking pump.

CLEANING PUMP

Keep pump as clean as possible. This will facilitate inspection, adjustment and repair work and help prevent overlooking a dirt covered grease fitting.

FIGURE 5: RELIEF VALVE POSITION



NOTE: 124AE, 4124AE, 224AE, 4224AE, 1124AE & 1224AE SERIES™ PUMPS DISCONTINUED AS OF 4Q20.

STORAGE

If pump is to be stored, or not used for six months or more, pump must be drained and a light coat of non-detergent SAE 30 weight oil must be applied to all internal pump parts.

Lubricate fittings and apply grease to pump shaft extension. Viking suggests rotating pump shaft by hand one complete revolution every 30 days to circulate the oil. Tighten all pump assembly bolts before putting pump in service after being stored.

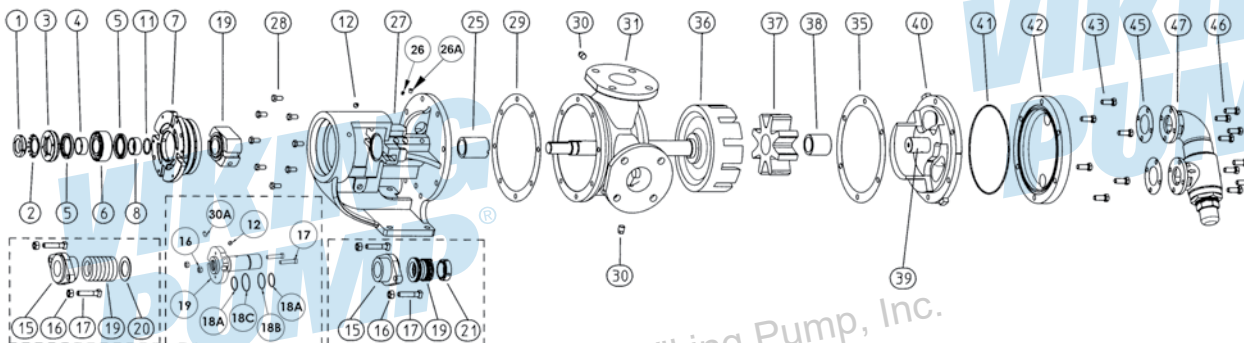
SUGGESTED REPAIR TOOLS

The following tools must be available to properly repair these pumps. These tools are in addition to standard mechanics' tools such as open-end wrenches, pliers, screwdrivers, etc. Most of the items can be obtained from an industrial supply house.

1. Soft Headed hammer
2. Allen wrenches (some mechanical seals and set collars)
3. Packing hooks, flexible (packed pumps)
4. Jack bolts (O-Pro barrier removal)
2-150-158-255-00; H-LS
2-151-006-255-00; Q-QS
2-150-139-255-00; N-RS
5. Seal installation sleeves for mechanical and O-Pro® Seals
2-751-001-730 for 0.75 inch seal; G pumps
2-751-002-730 for 1.125 inch seal; H-HL
2-751-003-730 for 1.4375 inch seal; AK-LL pumps
2-751-005-630 for 2.4375 inch seal; Q-M pumps
2-751-006-630 for 3.4375 inch seal; N pumps
2-751-010-630 for 4.5000 inch seal; R & RS pumps
No sleeve needed for LS pumps or L, LQ, LL "AE" pumps
6. Bearing locknut spanner wrench
Source: #471 J. H. Williams & Co. or equal; H-LL pumps
Source: #472 J. H. Williams & Co. or equal; LS-M pumps
7. Spanner wrench, adjustable pin type for bearing housing
Source: #482 J. H. Williams & Co. or equal; H-M pumps
Supplied with pump; N-RS pumps
8. Brass or plastic bar
9. Arbor press

Contact your Authorized Viking Pump® stocking distributor for available seal and rebuild kits

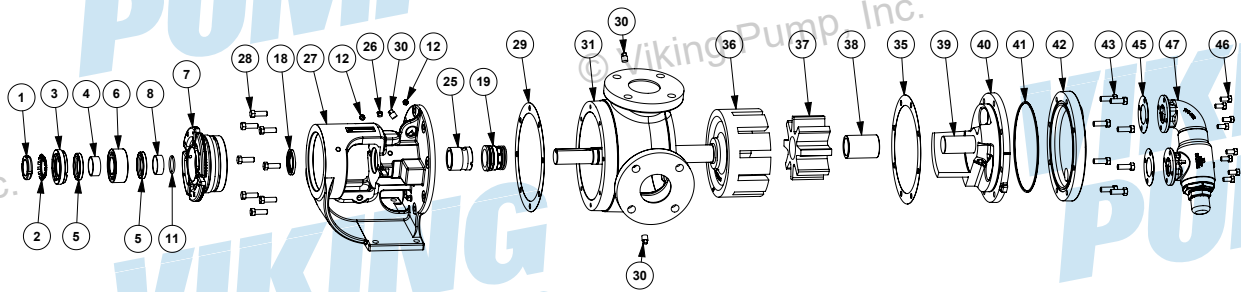
**FIGURE 6: EXPLODED VIEW (G, H, HL, AK, AL, K, KK, L, LQ, LL, LS SIZES) —
124A SERIES™, 124AE SERIES™, 1124A SERIES™, 1124AE SERIES™, 4124A SERIES™, 4124AE SERIES™,
224A SERIES™, 224AE SERIES™, 1224A SERIES™, 1224AE SERIES™, 4224A SERIES™, 4224AE SERIES™**
NOTE: IMAGE IS REPRESENTATIVE ONLY



Item	Name Of Part	Item	Name Of Part	Item	Name Of Part
1	Locknut	18C	Outer Static O-Ring	31	Casing (Tapped or Flanged)
2	Lockwasher	19	Cartridge Seal	35	Head Gasket
3	End Cap	19	Packing	36	Rotor and Shaft Assembly
4	Bearing Spacer Collar (Outer)	19	O-Pro® Barrier Seal	37	Idler and Bushing Assembly
5	Lip Seal	19	Mechanical Seal	38	Idler Bushing
6	Ball Bearing	20	Packing Retaining Washer	39	Idler Pin
7	Bearing Housing	21	Mechanical Seal Collar	40	Head and Idler Pin Assembly
8	Bearing Spacer Collar (Inner)	25	Bracket Bushing (not used with O-Pro® Barrier)	41	O-Ring for Jacket Head Plate
11	Ring, Half Round (Not H, HL)	26	Pressure Relief Fitting	42	Jacket Head Plate
12	Grease Fitting	26A	Reducer Bushing	43	Capscrew for Head
15	Packing / Mechanical Seal Gland	27	Bracket and Bushing Assembly	45	Relief Valve Gasket
16	Packing / Mechanical Seal / O-Pro® Gland Nut	28	Capscrew for Bracket	46	Capscrew for Valve
17	Capscrews, Seal Gland / O-Pro® Barrier	29	Bracket Gasket	47	Internal Relief Valve
18A	Dynamic O-Ring (Qty 2 Req'd)	30	Pipe Plug		
18B	Inner Static O-Ring	30A	Pipe Plug		

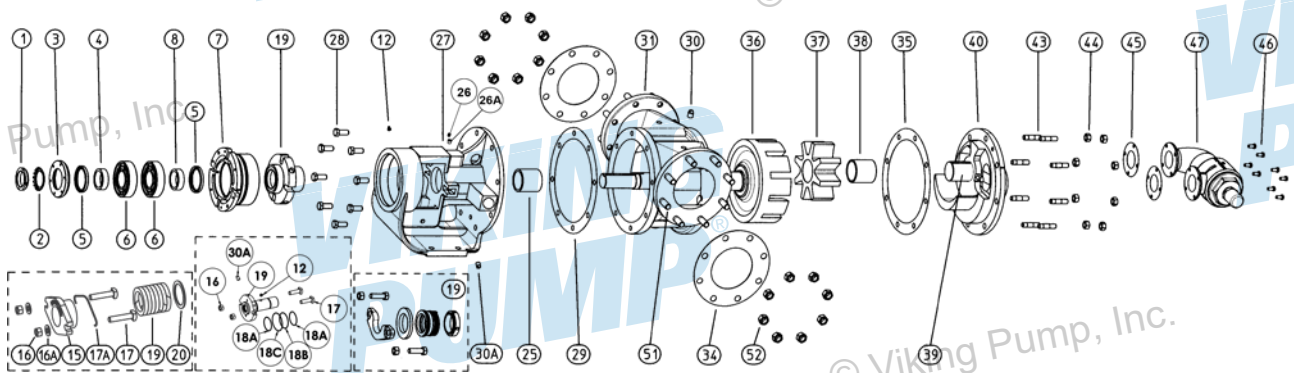
NOTE: 124AE, 4124AE, 224AE, 4224AE, 1124AE & 1224AE SERIES™ PUMPS DISCONTINUED AS OF 4Q20.

FIGURE 7: EXPLODED VIEW (G, H, HL, AK, AL, K, KK, L, LQ, LL, LS SIZES) — 4124B SERIES™, 4224B SERIES™
NOTE: IMAGE IS REPRESENTATIVE ONLY



Item	Name Of Part	Item	Name Of Part	Item	Name Of Part
1	Locknut	19	Mechanical Seal	38	Idler Bushing
2	Lockwasher	25	Bracket Bushing	39	Idler Pin
3	End Cap	26	Pressure Relief Fitting for Bracket	40	Head and Idler Pin Assembly
4	Bearing Spacer Collar (Outer)	27	Bracket	41	O-Ring for Jacket Head Plate (4224B)
5	Lip Seal	28	Capscrew for Bracket	42	Jacket Head Plate (4224B)
6	Bearing (Ball or Tapered Roller)	29	Bracket Gasket	43	Capscrew for Head
7	Bearing Housing	30	Pipe Plug	45	Relief Valve Gasket
8	Bearing Spacer Collar (Inner)	31	Casing (Tapped or Flanged)	46	Capscrew for Relief Valve
11	Ring, Half Round (Not Q, QS)	35	Head Gasket	47	Internal Relief Valve
12	Grease Fitting	36	Rotor and Shaft		
18	Lip Seal	37	Idler		

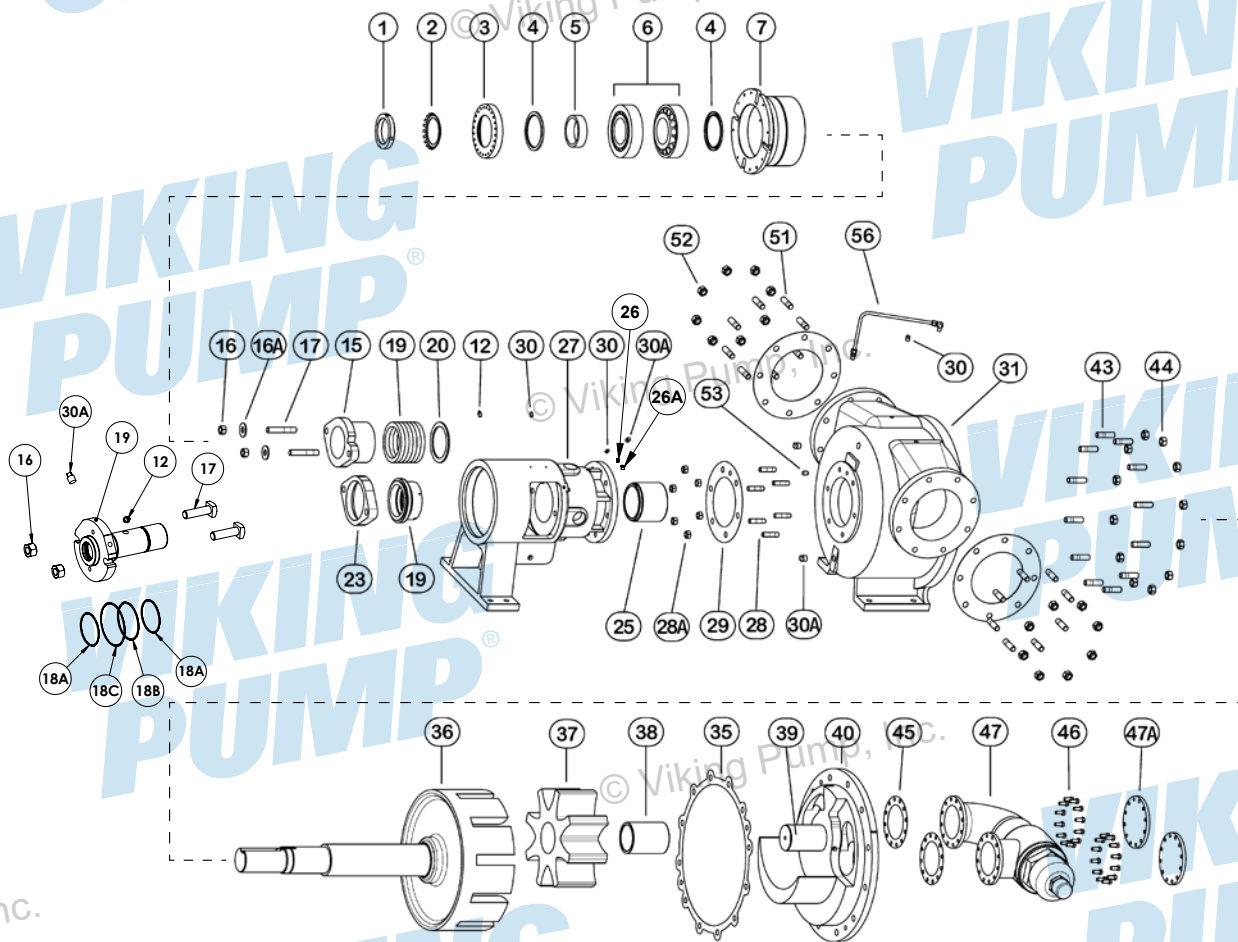
FIGURE 8: EXPLODED VIEW (Q, QS, M SIZES) — 124A SERIES™, 1124A SERIES™, 4124A SERIES™, 224A SERIES™, 1224A SERIES™, 4224A SERIES™
NOTE: IMAGE IS REPRESENTATIVE ONLY



Item	Name Of Part	Item	Name Of Part	Item	Name Of Part
1	Locknut	18B	Inner Static O-Ring	31	Casing
2	Lockwasher	18C	Outer Static O-Ring	34	Pipe Flange Gasket
3	End Cap for Bearing Housing	19	Cartridge Seal	35	Head Gasket
4	Bearing Spacer Collar (Outer)	19	Packing	36	Rotor and Shaft Assembly
5	Lip Seal for Bearing Housing (2 Req'd)	19	O-Pro® Barrier Seal	37	Idler and Bushing Assembly
6	Roller Bearing (2 Req'd)	19	Mechanical Seal	38	Idler Bushing
7	Bearing Housing	20	Packing Retaining Washer	39	Idler Pin
8	Bearing Spacer Collar (Inner)	25	Bracket Bushing (not used with O-Pro® Barrier)	40	Head and Pin Assembly
12	Grease Fitting	26	Pressure Relief Fitting	43	Stud for Head
15	Packing Gland	26A	Reducer Bushing	44	Nut for Head
16	Packing Gland Nut / O-Pro® Barrier Nut	27	Bracket and Bushing Assembly	45	Relief Valve Gasket
16A	Packing Gland Washer	28	Capscrew for Bracket	46	Capscrew for Relief Valve
17	Packing Gland Capscrew / O-Pro® Barrier Capscrews	29	Bracket Gasket	47	Internal Relief Valve
17A	Retainer for Packing Bolts	30	Pipe Plug	51	Stud for Flanges
18A	Dynamic O-Rings (Qty 2 Req'd)	30A	Pipe Plug	52	Nut for Flanges

NOTE: 124AE, 4124AE, 224AE, 4224AE, 1124AE & 1224AE SERIES™ PUMPS DISCONTINUED AS OF 4Q20.

FIGURE 9: EXPLODED VIEW (N, R, RS SIZES) — 324A SERIES™, 1324A SERIES™, 4324A SERIES™
NOTE: IMAGE IS REPRESENTATIVE ONLY



Item	Name Of Part	Item	Name Of Part	Item	Name Of Part
1	Locknut	19	Packing	36	Rotor and Shaft Assembly
2	Lockwasher	19	O-Pro® Barrier Seal	37	Idler and Bushing Assembly
3	End Cap for Bearing Housing	19	Mechanical Seal	38	Idler Bushing
4	Lip Seal for Bearing Housing (2 Req'd)	20	Packing Retaining Washer	39	Idler Pin
5	Bearing Spacer Collar	23	Seal Plate	40	Head and Idler Pin Assembly
6	Roller Bearing (2 Req'd)	25	Bracket Bushing	43	Stud for Head
7	Bearing Housing	26	Pressure Relief Fitting	44	Nut for Head
12	Grease Fitting	26A	Reducer Bushing	45	Relief Valve Gasket
12B	Grease Fitting	27	Bracket and Bushing Assembly	46	Capscrew for Relief Valve
15	Packing Gland	28	Stud for Bracket	47	Internal Relief Valve
16	Packing Gland Nut / O-Pro® Barrier Nut	28A	Nut for Bracket	47A	Cover Plates
16A	Packing Gland Washer	29	Bracket Gasket	51	Studs for Flanges
17	Packing Gland Stud / O-Pro® Barrier Stud	30	Pipe Plug	52	Nut for Flanges
18A	Dynamic O-Ring (Qty 2 Req'd)	30A	Pipe Plug	53	Locating Pin
18B	Inner Static O-Ring	31	Casing	56	Flush / Suckback Line
18C	Outer Static O-Ring	35	Head Gasket		

NOTE: 124AE, 4124AE, 224AE, 4224AE, 1124AE & 1224AE SERIES™ PUMPS DISCONTINUED AS OF 4Q20.

⚠ DANGER !

Before opening any Viking pump liquid chamber (pumping chamber, reservoir, relief valve adjusting cap fitting, etc.) be sure:

1. That any pressure in the chamber has been completely vented through the suction or discharge lines, or other appropriate openings or connections.
2. That the driving means (motor, turbine, engine, etc.) has been "locked out" or made non-operational, so that it cannot be started while work is being done on pump.
3. That you know what liquid the pump has been handling and the precautions necessary to safely handle the liquid. Obtain a material safety data sheet (MSDS) for the liquid to be sure these precautions are understood.

Failure to follow above listed precautionary measures may result in serious injury or death.

REMOVAL: CARTRIDGE MECHANICAL SEAL

Cartridge mechanical seals are designed so that they may be replaced with minimal pump and piping disassembly

1. Insert brass or plastic bar through port opening between rotor teeth to keep shaft from turning. Bend up tang of lockwasher and with a spanner wrench, remove locknut and lockwasher from shaft.
2. Loosen two set screws in the face of the bearing housing and remove the bearing housing assembly from the bracket.
3. Remove the pair of half round rings (AK, AL, K, KK, L, LQ, LL, LS sizes only) under the inner spacer collar from the shaft.
4. Remove any flush or barrier fluid tubes connected to the seal gland.
5. Replace or turn centering clips to original position.
6. Loosen setscrews on the seal collar to free the cartridge seal from the shaft.
7. Loosen and remove the two nuts holding the seal to the pump and slide the cartridge seal out through the bearing housing opening.

If the pump is to be disassembled further, refer to "Pump Disassembly" on page 11.

INSTALLATION: CARTRIDGE MECHANICAL SEAL

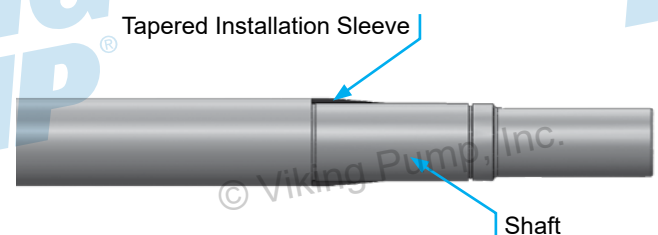
1. **NOTE:** Burrs left on shaft can damage O-ring on seal sleeve during installation. Inspect shaft for burrs and remove any found with a fine grade of emery cloth.
2. Clean rotor shaft and face of seal chamber.
3. Place tapered installation sleeve on shaft. Coat rotor shaft, tapered installation sleeve, and O-ring in the inside diameter of cartridge seal sleeve with a generous amount of P-80® or equivalent. See "Figure 10" on page 7.
4. Slide cartridge seal over installation sleeve on shaft until it contacts the seal chamber face. Remove tapered installation sleeve from shaft.
5. Place pair of half round rings in groove on shaft (AK, AL, K, KK, L, LQ, LL, LS sizes only) and turn bearing housing assembly into bracket.
6. Put lockwasher and locknut on shaft. Tighten locknut and bend one tang of lockwasher into slot of locknut. See "Table 3" on page 13.
7. Adjust pump end clearance, refer to "Thrust Bearing Adjustment" on page 13.
8. Insert gland capscrews and secure gland to bracket face using washers and nuts.
NOTE: turn shaft several turns while gland is loose to center seal; then tighten nuts enough to compress gland gasket. Tighten only enough to contain leakage and not to distort gland.
9. Tighten setscrews on seal drive collar to shaft. Remove or turn centering clips out of the way so as to clear the drive collar.
10. Turn shaft by hand or jog motor to check drive collar for runout.
11. Connect circulation line or vent stuffing box seals without circulation line until liquid is present on start up.
NOTE: For maximum seal life, circulation line should be used.

⚠ DANGER !

Before starting pump, be sure all drive equipment guards are in place.

Failure to properly mount guards may result in serious injury or death.

FIGURE 10



NOTE: Coat rotor shaft, tapered installation sleeve and inner diameter of mechanical seal with P-80® or equivalent before assembly.

P-80® is a registered trademark of International Products Corporation

NOTE: 124AE, 4124AE, 224AE, 4224AE, 1124AE & 1224AE SERIES™ PUMPS DISCONTINUED AS OF 4Q20.

DANGER !

Before opening any Viking pump liquid chamber (pumping chamber, reservoir, relief valve adjusting cap fitting, etc.) be sure:

1. That any pressure in the chamber has been completely vented through the suction or discharge lines, or other appropriate openings or connections.
2. That the driving means (motor, turbine, engine, etc.) has been “locked out” or made non-operational, so that it cannot be started while work is being done on pump.
3. That you know what liquid the pump has been handling and the precautions necessary to safely handle the liquid. Obtain a material safety data sheet (MSDS) for the liquid to be sure these precautions are understood.

Failure to follow above listed precautionary measures may result in serious injury or death.

REMOVAL: COMPONENT MECHANICAL SEAL

Elastomeric bellows, elastomeric o-ring and PTFE wedge seals generally require pump disassembly to be replaced (refer to “Pump Disassembly” on page 11).

1. Insert brass or plastic bar through port opening between rotor teeth to keep shaft from turning. Bend up tang of lockwasher and with a spanner wrench, remove locknut and lockwasher from shaft.
2. Loosen two set screws in the face of the bearing housing and remove the bearing housing assembly from the bracket.
3. Remove the pair of half round rings (AK, AL, K, KK, L, LQ, LL, LS sizes only) under the inner spacer collar from the shaft.
4. Loosen nuts and remove seal holder, seal seat and seal gasket(s).
5. Loosen setscrews in mechanical seal rotary member.

NOTE: Circulation line and/or plugs will need to be removed to access setscrews.

If changing the mechanical seal is the extent of the maintenance to be performed, then the rotor shaft assembly only needs to be moved far enough to dislodge the rotary member of the seal. (Not applicable for 4124B Series™ & 4224B Series™ pumps)

6. Drive the rotor/shaft assembly out of the casing until the rotor teeth extend past the face of the casing.
7. **4124B Series & 4224B Series Only:** Remove the rotor shaft assembly completely from the pump. Remove the rotary member of the mechanical seal from the rotor shaft. Remove the seal seat from the bracket.
8. Push the rotor/shaft assembly back into the casing. The rotary member of the seal should now be pushed far enough down the shaft for easy removal.

P-80® is a registered trademark of International Products Corporation

NOTE: 124AE, 4124AE, 224AE, 4224AE, 1124AE & 1224AE SERIES™ PUMPS DISCONTINUED AS OF 4Q20.

INSTALLATION: COMPONENT MECHANICAL SEAL

1. Clean rotor shaft and seal housing bore. Make sure they are free of dirt, grit and scratches. Gently radius leading edge of the shaft diameter over which seal is to be placed. Never touch mechanical seal faces with anything except clean hands or clean cloth. Minute particles can scratch the seal faces and cause leakage.
2. Place tapered installation sleeve on the shaft. Coat tapered sleeve and inside of the rotary member with a generous quantity of P-80® or equivalent. Grease is not recommended. Start rotary member on shaft and over tapered sleeve. See “Figure 11” on page 8.
3. Push shaft until rotor contacts head. Move rotary member so setscrews are directly below seal access holes on side of bracket. Tighten all setscrews securely to shaft. Some seals are equipped with holding clips which compress the seal springs. Remove holding clips to release springs after seal is installed on shaft.

4124B Series™ and 4224B Series™ Only:

If the seal uses setscrews to secure the seal to the shaft, tighten the setscrews once the seal is in place. Move rotary member all the way on the rotor shaft until it is against the rotor hub.

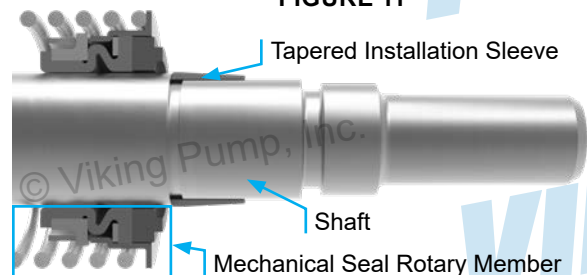
If the seal uses a single spring and drive pin, place seal spring on shaft against rotor hub (see “Figure 12” on page 9). Slide rotary member, lapped contact surface facing away from spring, over installation sleeve on shaft until it is against spring. Slot in the seal must line up with drive pin in the shaft. Do not compress spring.

Some PTFE seals are equipped with holding clips which compress the seal springs. Remove holding clips to release springs after seal is installed on shaft.

4. **FOR “O-RING” GASKET TYPE MECHANICAL SEAL SEAT:** Lubricate outer diameter of O-Ring seal gasket with P-80® or equivalent. Press seal seat in to bore until back, unlapped face, is flush with bore. Install seal holder, capscrews, and nuts and tighten securely. Remove tapered installation sleeve.

FOR “CLAMPED-IN” TYPE MECHANICAL SEAL SEAT: Flush sealing faces of both rotary member and seal seat with oil and install seal seat and seat gasket over end of shaft against machined bracket face. Install other seal gasket, seal holder, capscrews, and nuts and tighten securely. Remove tapered installation sleeve.

FIGURE 11



NOTE: Coat rotor shaft, tapered installation sleeve and inner diameter of mechanical seal with P-80® or equivalent before assembly.

FIGURE 12

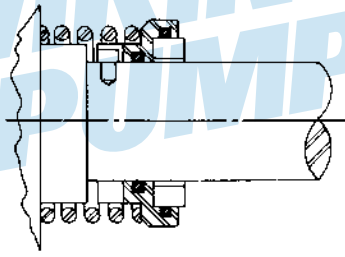
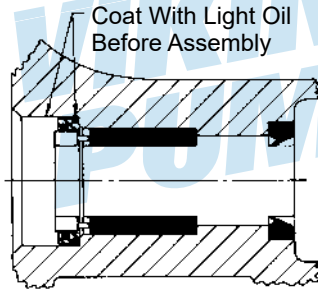


FIGURE 13



4124B Series™ and 4224B Series™ Only: Lubricate outer diameter of seal seat gasket with oil. Press seal seat into bore until back, unlapped face bottoms in bore. Make sure the seat anti-rotation pins are aligned with slots in the bracket bushing. See "Figure 13" on page 9.

5. Connect suckback or flush line or vent stuffing box for seals without circulation line until liquid is present on start up.

NOTE: For maximum seal life, suckback or flush line should be used.

6. Install bearing housing assembly and set end clearance (refer to "Pump Assembly" on page 12)

! DANGER !

Before starting pump, be sure all drive equipment guards are in place.

Failure to properly mount guards may result in serious injury or death.

! DANGER !

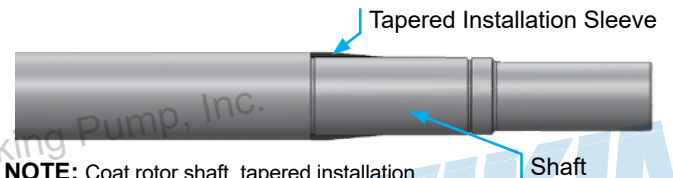
Before opening any Viking pump liquid chamber (pumping chamber, reservoir, relief valve adjusting cap fitting, etc.) be sure:

1. That any pressure in the chamber has been completely vented through the suction or discharge lines, or other appropriate openings or connections.
2. That the driving means (motor, turbine, engine, etc.) has been "locked out" or made non-operational, so that it cannot be started while work is being done on pump.
3. That you know what liquid the pump has been handling and the precautions necessary to safely handle the liquid. Obtain a material safety data sheet (MSDS) for the liquid to be sure these precautions are understood.

Failure to follow above listed precautionary measures may result in serious injury or death.

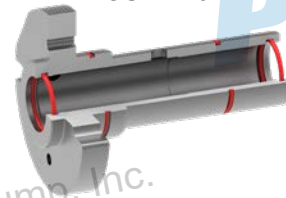
NOTE: 124AE, 4124AE, 224AE, 4224AE, 1124AE & 1224AE SERIES™ PUMPS DISCONTINUED AS OF 4Q20.

FIGURE 14:



NOTE: Coat rotor shaft, tapered installation sleeve and inner diameter of O-ring seal bushing with P-80® or equivalent before assembly.

FIGURE 15:



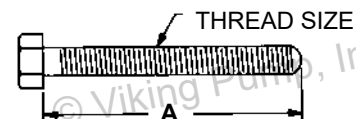
REMOVAL: O-PRO® BARRIER SEAL

The O-Pro® Barrier was specially designed to make removal and o-ring replacement simple with minimal pump disassembly.

1. Insert length of hardwood or brass through port opening between rotor teeth to keep shaft from turning. Bend up tang of lockwasher and with a spanner wrench, remove locknut and lockwasher from shaft.
2. Loosen two set screws in the face of the bearing housing and remove the bearing housing assembly from the bracket. In order to remove the bearing housing and O-Pro® Barrier with the pump in place, Viking recommends using Spacer Couplings with at least a 4.75" gap for the H/HL size pumps, 6.25" gap for the K-LL size pumps, 7.75" gap for the Q/QS size pumps, and 11.5" gap for N, R, RS size pumps.
3. Remove the pair of half round rings (K, KK, L, LQ, LL, and LS sizes only) under the inner spacer collar from the shaft.
4. Remove grease fitting and pipe plug from the O-Pro Barrier.
5. Loosen the gland nuts securing the O-Pro® Barrier into the bracket and remove the T-bolts.
6. Thread the jack bolts into the tapped holes at the 6 and 12 o'clock position on the face of the O-Pro® Barrier. Remove the O-Pro® Barrier through the bearing housing opening. See "Figure 16" on page 9 for jack bolt sizes.
7. Clean as much old grease and product out of the area between the pump bracket bore and shaft as possible, taking care not to nick the finished surfaces.

If the pump is to be disassembled further, refer to "Pump Disassembly" on page 11.

FIGURE 16: JACK BOLT SIZES



Pump Size	A (Inch)	Thread Size (Inch)
H, HL, K, KK, L, LQ, LL, LS	2.50	3/8 - 11 NC
Q, QS	1.75	5/8 - 11 NC
N, R, RS	4.00	1/2 - 13 NC

INSTALLATION: O-PRO® BARRIER SEAL

1. Lubricate the O-Rings and O-Pro® Barrier thoroughly with food grade O-Ring lubricant or grease.
2. Install the inner dynamic O-Rings and the outer static O-Rings in the O-Ring grooves in the O-Pro® Barrier.

NOTE: If rotor and shaft are still installed in pump, refer to steps 7 and 8 before proceeding.

3. Leaving the Rotor Shaft out of the pump, install the O-Pro® Barrier into the bracket. Make sure the flat surfaces face upwards. This positions the lubrication groove at the opposite end in the 6 o'clock position.
4. You will encounter resistance as the first outer static O-Ring enters the bushing bore area in the bracket. Rotate the O-Pro® Barrier as needed, but do not hammer it or damage to the O-Rings may occur.
5. Once the O-Pro® Barrier is far enough into the bracket bore, you can use the gland bolts to gently pull the O-Pro® Barrier the rest of the way into the bracket bore.
6. Tighten both nuts on the gland bolts completely.
7. **NOTE:** Burrs left on the shaft can damage the inner dynamic O-Rings in the O-Pro® Barrier during installation. Inspect the shaft for burrs and remove any found with a fine grade of emery cloth.
8. Place tapered seal installation sleeve on shaft (no sleeve required for LS size). Coat the rotor shaft & installation sleeve with a generous amount of food grade grease.
9. Carefully insert the rotor shaft into the pump casing. Prevent the shaft keyway or threads from contacting the inner dynamic O-Rings. The shaft threads and keyway may be taped to ensure the O-Rings aren't nicked by the shaft edges.
10. Remove the seal installation sleeve.
11. Reinstall the head with idler gear, using a new head gasket. Ensure that the crescent is opposite the sealing area between the ports.
12. Place pair of half round rings in groove on shaft (K, KK, LQ, LL, and LS sizes only) and turn bearing housing assembly into bracket.
13. Put lockwasher and locknut on shaft. Tighten locknut and bend one tang of lockwasher into slot of locknut.
14. Adjust pump end clearance, refer to "**Thrust Bearing Adjustment**" on page 13.
15. Install grease fitting into either hole of the O-Pro Barrier gland. Install pipe plug into the opposite hole.
16. If necessary, remove pipe plug to open hole in bracket for pressure relief fitting. Contact your Viking Pump® representative to obtain seal installation drawings for proper pressure relief fitting location. Install reducer bushing for pressure relief fitting into bracket (no reducer bushing for H & HL sizes).
17. Add grease through grease fitting in seal gland while rotating the pump shaft.
18. Fill until grease comes out of open hole in the bracket where pressure relief fitting will go.
19. Install pressure relief fitting in the bracket, apply additional grease to ensure all air pockets have been evacuated from the area and grease has exited relief fitting.

NOTE: 124AE, 4124AE, 224AE, 4224AE, 1124AE & 1224AE SERIES™ PUMPS DISCONTINUED AS OF 4Q20.

⚠ DANGER !

Before starting pump, be sure all drive equipment guards are in place.

Failure to properly mount guards may result in serious injury or death.

TABLE 1: PACKING RING CHART

Pump Size	Number of Packing Rings
G	4
H, HL, AK, AL	5
K, KK, L, LQ, LL, LS, M	6
L "AE", LQ "AE", LL "AE", Q, QS, N, R, RS	7

⚠ DANGER !

Before opening any Viking pump liquid chamber (pumping chamber, reservoir, relief valve adjusting cap fitting, etc.) be sure:

1. That any pressure in the chamber has been completely vented through the suction or discharge lines, or other appropriate openings or connections.
2. That the driving means (motor, turbine, engine, etc.) has been "locked out" or made non-operational, so that it cannot be started while work is being done on pump.
3. That you know what liquid the pump has been handling and the precautions necessary to safely handle the liquid. Obtain a material safety data sheet (MSDS) for the liquid to be sure these precautions are understood.

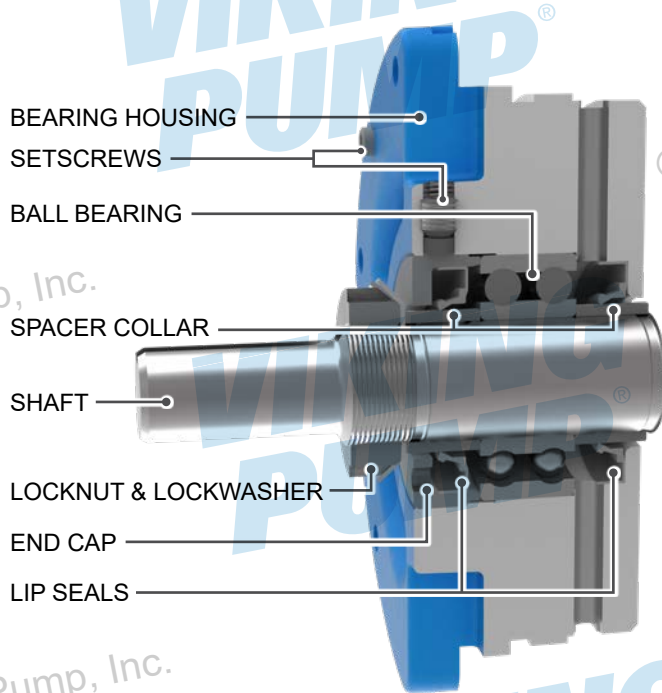
Failure to follow above listed precautionary measures may result in serious injury or death.

REMOVAL: PACKING

1. Insert brass or plastic bar through port opening between rotor teeth or lock coupling end of shaft to keep shaft from turning. Bend up tang of lockwasher and with a spanner wrench; remove locknut and lockwasher from shaft. Remove brass or plastic bar from port opening.
2. Loosen the two setscrews in the face of the bearing housing and remove the bearing housing assembly from the bracket. See "**Figure 18**" on page 11, "**Figure 19**" on page 12 or "**Figure 20**" on page 12.
3. **K, KK, LQ, LL, LS Sizes ONLY:** Remove pair of half round rings under the inner spacer collar from the shaft.
4. Remove pipe plug from drain hole in casing or bracket, breaking vacuum behind rotor.
5. Remove packing gland nuts. Slide packing gland out of stuffing box, and remove packing and packing retainer washer.

NOTE: Contact your Viking Pump® representative for Engineering Standard ES-9 on packing information & options.

FIGURE 18: BEARING HOUSING ASSEMBLY (H, HL)



INSTALLATION: PACKING

1. When assembling packed pump, use packing suitable for liquid being pumped. Install packing, staggering the joints from one side of shaft to other. Seat each ring with a short length of pipe or similar tool to ensure each ring is seated. Lubricate packing rings with oil, grease, or graphite to aid assembly. Install packing retainer washer (Q, QS, M, N, R, RS only), packing, capscrews/studs, washers, and nuts. Make sure gland is installed square and nuts are tightened evenly. Tighten nuts until packing gland is snug against packing. **DO NOT OVER-TIGHTEN!**
2. Install bearing housing assembly and set end clearance (refer to "Pump Assembly" on page 12)

! DANGER !

Before starting pump, be sure all drive equipment guards are in place.

Failure to properly mount guards may result in serious injury or death.

! DANGER !

Before opening any Viking pump liquid chamber (pumping chamber, reservoir, relief valve adjusting cap fitting, etc.) be sure:

1. That any pressure in the chamber has been completely vented through the suction or discharge lines, or other appropriate openings or connections.
2. That the driving means (motor, turbine, engine, etc.) has been "locked out" or made non-operational, so that it cannot be started while work is being done on pump.
3. That you know what liquid the pump has been handling and the precautions necessary to safely handle the liquid. Obtain a material safety data sheet (MSDS) for the liquid to be sure these precautions are understood.

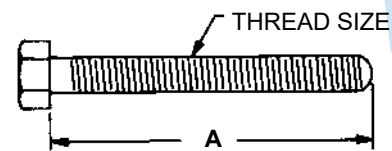
Failure to follow above listed precautionary measures may result in serious injury or death.

PUMP DISASSEMBLY

1. Mark head and casing before disassembly to ensure proper reassembly. The idler pin, which is offset in pump head, must be positioned toward and equal distance between port connections to allow for proper flow of liquid through the pump.

Remove nuts and capscrews from head. Use 2 jack bolts with Q, QS, M, N, R & RS size pumps to back head away from casing. Proper size and length of jack bolts for pump size are shown in "Figure 17" on page 11. The use of a hoist to support head will facilitate its removal.

FIGURE 17: MINIMUM LENGTH OF JACK BOLTS



Pump Size	A (Inch)	Thread Size (Inch)
Q, QS	3.50	1/2 - 13 NC
M, N	4.00	1/2 - 13 NC
R, RS	4.50	5/8 - 11 NC

Avoid damaging head gasket. Back head slightly away from casing. Do not allow idler to fall from idler pin. To prevent this, tilt top of head back when removing. Remove head from pump. A lifting hook for N, R & RS size pumps will provide adequate connection for hoisting head. If a hoist is not available, cribbing or blocking can be used to support head. This will eliminate having to lift head into position when reassembling pump.

If pump is furnished with pressure relief valve, it need not be removed from head or disassembled at this point; however, removing relief valve will lessen total weight of part. Do not use chain or cable around relief valve body to support head during removal. Refer to "Pressure Relief Valve Instructions" on page 15.

If pump has jacketed head plate, it will separate from head when it is removed. The O-Ring between head and jacket head plate must be totally removed. Use new O-Ring when assembling pump.

NOTE: 124AE, 4124AE, 224AE, 4224AE, 1124AE & 1224AE SERIES™ PUMPS DISCONTINUED AS OF 4Q20.

2. Remove head gasket, idler and bushing assembly.
3. Refer to **"Removal: Cartridge Mechanical Seal"** on page 7, **"Removal: Component Mechanical Seal"** on page 8 or **"Removal: Packing"** on page 10 depending on sealing method of the pump.
4. Carefully remove rotor and shaft to avoid damaging bracket bushing.
5. Loosen two radial setscrews in flange of bearing housing and with a spanner wrench remove the outer end cap with lipseal and outer bearing spacer collar.
6. Remove the double row ball bearing (2 tapered roller bearings on Q, QS, M, N, R, RS sizes) and inner bearing spacer collar from the bearing housing.
7. Clean all parts thoroughly and examine for wear and damage. Check lipseals, bearings, bushings, and idler pin and replace if necessary. If necessary, bearing replacement is recommended. Check all other parts for nicks, burrs, excessive wear and replace if necessary. Wash bearings in clean solvent. Blow out bearings with compressed air. Do not allow bearings to spin; turn them slowly by hand. Spinning bearings will damage bearing components. Make sure bearings are clean, then lubricate with light oil and check for roughness. Roughness can be determined by turning outer race by hand.

CAUTION !

Do not intermix inner and outer races of tapered roller bearing (Q, QS, M, N, R, RS sizes)

8. Casing can be checked for wear or damage while mounted on bracket.
9. Inspect bracket bushing for wear and remove if damaged or worn.

FIGURE 19: BEARING HOUSING ASSEMBLY (K, KK, LQ, LL, LS)

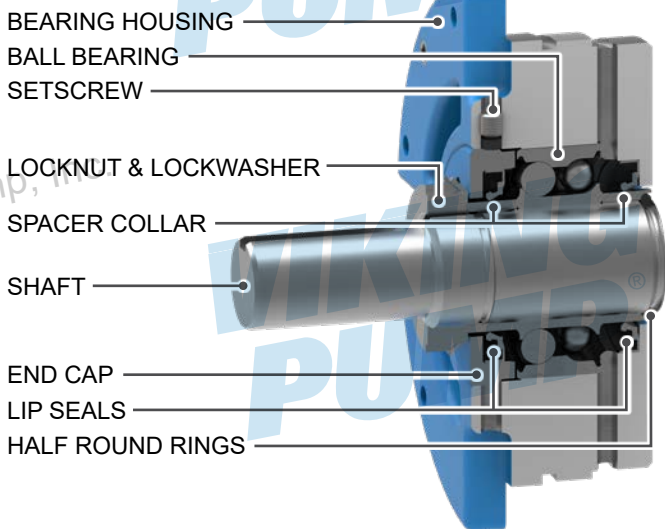
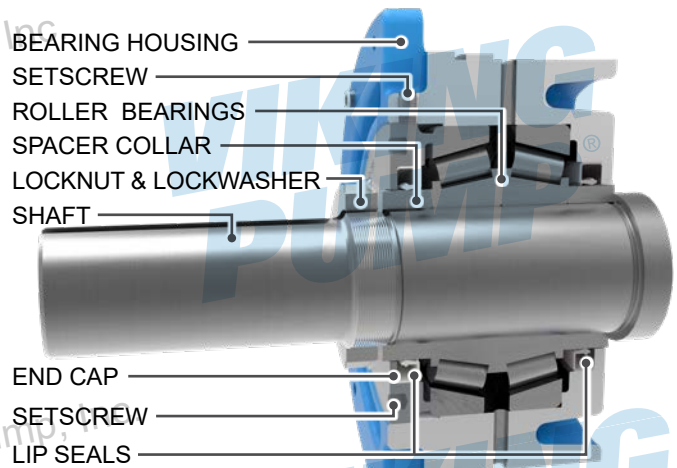


FIGURE 20: BEARING HOUSING ASSEMBLY (Q, QS, N, R, RS)



PUMP ASSEMBLY

1. Install bracket bushing if removed due to wear. If bracket bushing has an inner lubrication groove, install bushing with groove at twelve o'clock position in bracket. If carbon graphite, Refer to **"Installation: Carbon Graphite Bushings"** on page 14. If applicable, make sure slots in the face of the bushing are towards rotor end of the bracket.

NOTE: O-Pro® Barrier seal replaces bracket bushing.

2. Install bracket and bushing assembly on the casing if separated during assembly. The locating pin is essential for proper alignment for N, R, RS sizes. Be sure gasket is placed between bracket and casing.
3. Coat shaft of rotor / shaft assembly with light oil. Start end of shaft in bracket bushing turning from right to left, slowly pushing rotor in casing.
4. Coat idler pin with light oil and place idler and bushing on idler pin in head. If replacing idler bushing with carbon graphite, Refer to **"Installation: Carbon Graphite Bushings"** on page 14.
5. Using a .010 to .015 inch thick head gasket, install head and idler assembly on pump. Pump head and casing should have been marked before disassembly to ensure proper reassembly. If not, be sure idler pin, which is offset in pump head, is positioned toward the equal distance between port connections to allow for proper flow of liquid through pump. If pump is equipped with jacketed headplate, install at this time along with a new head gasket. **NOTE:** Head gasket is directional for the Q & QS pumps.

Tighten head capscrews evenly.

See to **"Figure 18"** on page 11, **"Figure 19"** on page 12 or **"Figure 20"** on page 12 for bearing housing assembly.

6. Install the lipseal in the bearing housing (See **"Figure 18"** on page 11, **"Figure 19"** on page 12 or **"Figure 20"** on page 12 for lip orientation).
7. **H, HL, AK, AL, K, KK, LQ, LL, LS Sizes:** Pack the ball bearing with grease and push or press the bearing into the bearing housing. See **"Figure 18"** on page 11 or **"Figure 19"** on page 12.

NOTE: 124AE, 4124AE, 224AE, 4224AE, 1124AE & 1224AE SERIES™ PUMPS DISCONTINUED AS OF 4Q20.

Q, QS, M, N, R, RS Sizes: Pack tapered roller bearings with grease and press or push bearings into housing with large end of inner races together. It is possible to install bearings incorrectly. For proper assembly see "Figure 20" on page 12.

NOTE: G size has sealed bearing.

- Install the lipseal in the end cap (see appropriate figure for lip orientation). Thread the end cap into the bearing housing along with outer bearing spacer collar and tighten against the bearing.

Q, QS, M, N, R, RS Sizes ONLY: Tapered roller bearings require preload to operate properly. To set preload tighten end cap so that inner races of bearings cannot be rotated by hand. Make a mark on the outside diameter of the bearing housing and a corresponding mark on the bearing housing end cap. Rotate the bearing housing end cap in a counter clockwise direction until the mark on the outside diameter of the bearing housing is past the mark on the bearing housing end cap by the amount specified in "Table 2" on page 13. This will provide the correct end play for the bearings.

Lock end cap in place with two setscrews in the flange of the bearing housing.

TABLE 2: END CAP ADJUSTMENT

Pump Size	Inches (mm)
Q, QS, M	0.270 in. (6.86 mm)
N	0.375 in. (9.52mm)
R, RS	0.422 in. (10.72mm)

NOTE: Refer to "Installation: Cartridge Mechanical Seal" on page 7 or "Installation: Component Mechanical Seal" on page 8 when reassembling a pump with mechanical seal. Refer to "Installation: O-Pro® Barrier Seal" on page 10 when reassembling a pump with O-Pro® Barrier seal. Refer to "Installation: Packing" on page 11 for a pump with packing.

- Slide inner spacer collar over shaft with recessed end facing rotor. H, HL, Q, QS, M bearing spacer collars are not recessed.

K, KK, LQ, LL, LS Sizes ONLY: Place pair of half round rings on shaft and slide inner bearing spacer collar over half round rings to lock them in place.

- Thread the bearing housing with lipseals; end cap, outer bearing spacer collar and bearings installed into bracket.
- Put lockwasher and locknut on shaft. Insert brass or plastic bar through port opening between rotor teeth to keep shaft from turning. Tighten locknut as per "Table 3" on page 13. If tang does not line up with slot, tighten locknut until it does. Failure to tighten locknut or engage lockwasher tang could result in early bearing failure and cause damage to rest of pump. Remove brass or plastic bar from port opening.

TABLE 3: LOCKNUT TORQUE

Pump Size	Torque (Ft.-Lbs.)
G	20-30
H, HL	50-70
K, KK, LQ, LL, LS, Q, QS	90-110
M, N, R, RS	170-190

NOTE: 124AE, 4124AE, 224AE, 4224AE, 1124AE & 1224AE SERIES™ PUMPS DISCONTINUED AS OF 4Q20.

- Adjust pump end clearance, refer to "Thrust Bearing Adjustment" on page 13.

- Reinstall drain plug in casing / bracket.

- Lubricate all grease fittings with multi-purpose grease, NLGI #2. The factory uses polyurea type grease. Thoroughly clean out grease if using another grease chemistry.

⚠ DANGER !

Before starting pump, be sure all drive equipment guards are in place.

Failure to properly mount guards may result in serious injury or death.

⚠ DANGER !

Before opening any Viking pump liquid chamber (pumping chamber, reservoir, relief valve adjusting cap fitting, etc.) be sure:

- That any pressure in the chamber has been completely vented through the suction or discharge lines, or other appropriate openings or connections.
- That the driving means (motor, turbine, engine, etc.) has been "locked out" or made non-operational, so that it cannot be started while work is being done on pump.
- That you know what liquid the pump has been handling and the precautions necessary to safely handle the liquid. Obtain a material safety data sheet (MSDS) for the liquid to be sure these precautions are understood.

Failure to follow above listed precautionary measures may result in serious injury or death.

THRUST BEARING ADJUSTMENT

- Loosen the two set screws in the outer face of the bearing housing and rotate the bearing housing in a clockwise direction until it cannot be turned any more. This ensures the rotor is all the way forward and is touching the head. It will not be possible to turn the rotor by hand in this location.
- Make a mark on the outside diameter of the bearing housing and a corresponding mark on the pump bracket.
- Make another mark on the pump bracket per "Table 4" on page 14. Rotate the bearing housing in a counter clockwise direction until the mark on the outside diameter of the bearing housing lines up with the second mark on the pump bracket. This will provide the standard end clearance for the pump. If possible, check end clearance with feeler gauge between idler and rotor faces. Operating the pump at higher temperatures or viscosities may require additional end clearance. Contact your Viking Pump® representative for those clearances. "Table 4" on page 14 shows the additional bearing housing adjustment required for .001" increase in end clearance.
- Tighten setscrews in the outer face of the bearing housing.
- Rotate the rotor shaft by hand to make sure it turns freely.

TABLE 4: END CLEARANCE CHART

Size	Series	Standard End Clearance (Inches)	Turn Bearing Housing CCW Length on OD (Inches)	Additional Length on OD Bearing Housing for .001" End Clearance (Inches)
G	124A Series™ 4124A Series™ 4124B Series™	0.003	0.60	0.20
H, HL	124A Series™ 1124A Series™ 4124A Series™ 4124B Series™	0.003	0.75	.22
	224A Series™ 1224A Series™ 4224A Series™ 4224B Series™	0.007	1.5	.22
AK, AL, K, KK, L, LQ, LL, LS	124A Series™ 1124A Series™ 4124A Series™ 4124B Series™	0.005	1.25	.25
L, LQ, LL	124AE Series™ 1124AE Series™ 1224AE Series™ 4124AE Series™	0.005	1.25	.25
K, KK, L, LQ, LL, LS	224A Series™ 1224A Series™ 4224A Series™ 4224B Series™	0.010	2.50	.25
Q, QS, M	124A Series™ 1124A Series™ 4124A Series™ 4124B Series™	0.010	3.10	.31
	224A Series™ 1224A Series™ 4224A Series™ 4224B Series™	0.015	4.65	.31
N	324A Series™ 1324A Series™ 4324A Series™	0.015	6.09	.41
R, RS	324A Series™ 1324A Series™ 4324A Series™	0.020	9.09	.45

INSTALLATION: CARBON GRAPHITE BUSHINGS

When installing carbon graphite bushings, extreme care must be taken to prevent breaking. Carbon graphite is a brittle material and easily cracked. If cracked, the bushing will quickly disintegrate. Using a lubricant and adding a chamfer on the bushing and the mating part will help in installation. The additional precautions listed below must be followed for proper installation.

1. A press must be used for installation.
2. Be certain the bushing is started straight.
3. Do not stop pressing operation until bushing is in proper position. Starting and stopping will result in a cracked bushing.
4. Check bushing for cracks after installation.

Carbon graphite bushings with extra interference fits are frequently furnished for high temperature operation. These bushings must be installed by a shrink fit.

1. Heat bracket or idler to 750°F.
2. Install cool bushing with a press.
3. If facilities are not available to reach 750°F. temperature, it is possible to install with 450°F. temperature; however the lower the temperature the greater the possibility of cracking the bushing.

Consult your Viking Pump® representative with specific questions on high temperature applications.

NOTE: Bronze and hardened cast iron bushings can be pressed into the mating part. Use steps 1 and 2 above.

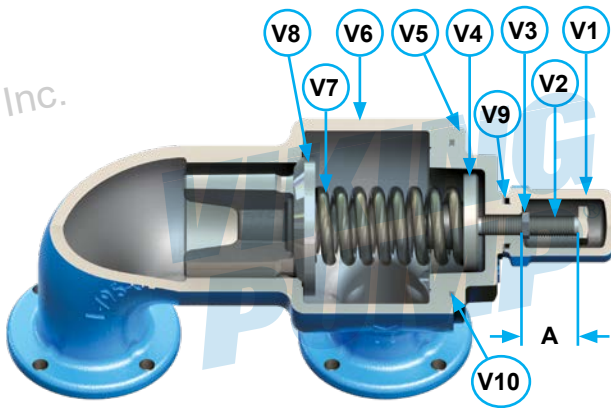
RELUBRICATION

4124B Series™, 4224B Series™, 1124A Series™, 1224A Series™, 1324A Series™ Only: Before putting pump back into service, add grease to the bracket grease fitting until it comes out of the relief fitting on the opposite side of the bracket (use petroleum jelly, petrolatum or other similar low melting point lubricant). Regrease the bearing housing until grease comes out of the shaft end lip seal (use multi-purpose NLGI #2).

PRESSURE RELIEF VALVE INSTRUCTIONS

FIGURE 21: RELIEF VALVE - ALL SIZES

NOTE: Image is representative only.



Valve - List of Parts

V1.	Valve Cap	V6.	Valve Body
V2.	Adjusting Screw	V7.	Valve Spring(s)
V3.	Lock Nut	V8.	Poppet
V4.	Spring Guide	V9.	Cap Gasket
V5.	Bonnet	V10.	Bonnet Gasket*

* AK, AL, K, KK, LQ, LL, LS, Q, QS, M, N, R, RS sizes only

⚠ DANGER !

Before opening any Viking pump liquid chamber (pumping chamber, reservoir, relief valve adjusting cap fitting, etc.) be sure:

1. That any pressure in the chamber has been completely vented through the suction or discharge lines, or other appropriate openings or connections.
2. That the driving means (motor, turbine, engine, etc.) has been "locked out" or made non-operational, so that it cannot be started while work is being done on pump.
3. That you know what liquid the pump has been handling and the precautions necessary to safely handle the liquid. Obtain a material safety data sheet (MSDS) for the liquid to be sure these precautions are understood.

Failure to follow above listed precautionary measures may result in serious injury or death.

DISASSEMBLY

Mark valve and head before disassembly to ensure proper reassembly.

1. Remove valve cap.
2. Measure and record length of extension of adjusting screw. Refer to "A" on "Figure 21" on page 15.
3. Loosen locknut and back out adjusting screw until spring pressure is released.
4. Remove bonnet, spring guide, spring and poppet from valve body. Clean and inspect all parts for wear or damage and replace if necessary.

NOTE: 124AE, 4124AE, 224AE, 4224AE, 1124AE & 1224AE SERIES™ PUMPS DISCONTINUED AS OF 4Q20.

ASSEMBLY

Reverse procedures outlined under Disassembly. If valve is removed for repairs be sure to replace in same position. Relief valve adjusting screw cap must always point towards suction side of pump. If pump rotation is reversed, remove relief valve and turn end for end.

PRESSURE ADJUSTMENT

If a new spring is installed or if pressure setting of pressure relief valve is to be changed from that which the factory has set, the following instructions must be carefully followed.

1. Carefully remove valve cap which covers adjusting screw.
Loosen locknut which locks adjusting screw, so pressure setting will not change during operation of pump.
2. Install a pressure gauge in the discharge line for adjusting the relief valve setting during operation.
3. Turn the adjusting screw CW (in) to increase the pressure setting, and CCW (out) to decrease the setting. For guidance dimensions, contact your Viking Pump® representative for Engineering Standard ES-37.
4. Close the discharge line at a point beyond the pressure gauge. Limit the amount of time the pump is operated at this condition. The temperature inside the pump will rise rapidly. The pressure gauge will show maximum pressure that valve will allow while pump is in operation.
5. Once the relief valve pressure is set, tighten locknut and replace the cap gasket and valve cap.

IMPORTANT ORDERING INFORMATION

In ordering parts for pressure relief valve, always give model number and serial number of pump as it appears on nameplate and name of part wanted. When ordering springs, be sure to give pressure setting desired.

APPENDIX (FORMERLY TSM 000)

NOTE: This Appendix section is for reference only. Not all pump construction features apply to pumps within this Technical Service Manual.

GENERAL INSTALLATION NOTES

Before installation is started, a few items of a general nature should be considered.

- 1. Location** - always locate the pump as close as possible to the supply of liquid to be pumped. Locate it below the liquid supply if at all practical. Viking pumps are self priming but the better the suction conditions the better the performance.
- 2. Accessibility** - the pump should be located where it is accessible for inspection, maintenance, and repair. For large pumps, allow room to remove the rotor and shaft without removing the pump from the base.
- 3. Port Arrangement** - since the pumps have different port arrangements depending on the model, port location should be checked before starting the installation. The ports may be upright, opposite or at right angles to each other, see **Figure A1**. The right angle ports are normally right-hand, see **Figure A2**; some models are available with left-hand arrangements; still other models are available with the right angle ports located in any one of eight positions including right-hand and left-hand.
- 4. Suction/Discharge** - shaft rotation will determine which port is suction and which is discharge. A look at **Figure A3** will show how rotation determines which port is which. As the pumping elements (gears) come out of mesh, point "A" on **Figure A3**, liquid is drawn into the suction port. Then at point "B" the gears come into mesh, and the liquid is forced out the discharge port. Reversing the rotation reverses the flow through the pump. When determining shaft rotation, always look from the shaft end of the pump. Unless otherwise specified, rotation is assumed to be clockwise (CW), which makes the suction port on the right side of the pump. The idler pin, which is offset in the pump head, should be properly positioned toward and an equal distance between the port connections. See **Figure A3** for correct idler pin location in relation to pump ports.

FIGURE A1



FIGURE A2



FIGURE A3

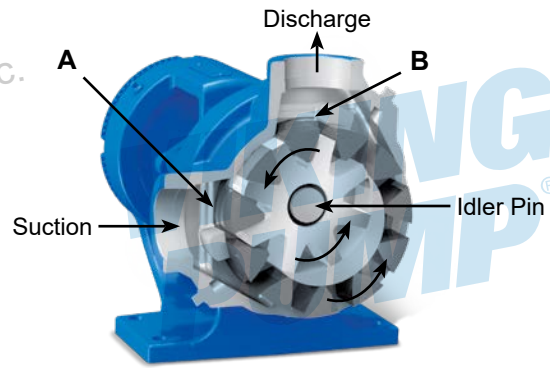


FIGURE A4: CUTAWAY OF VIKING INTERNAL PRESSURE RELIEF VALVE

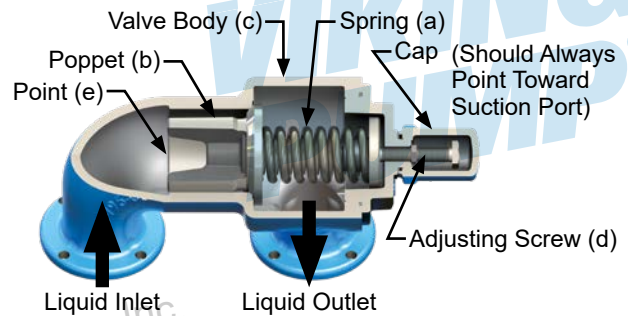
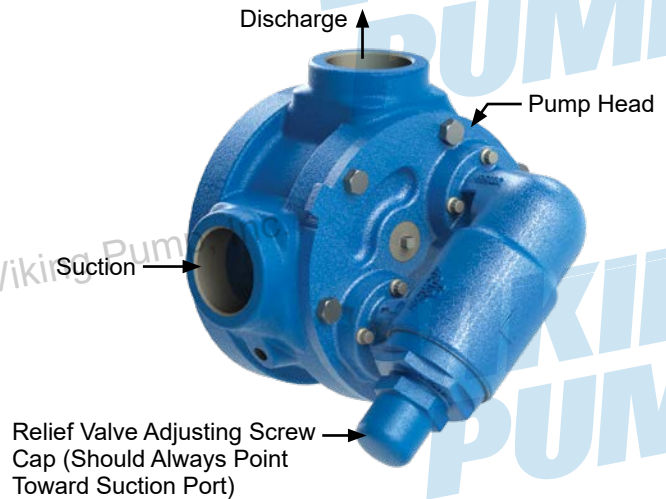
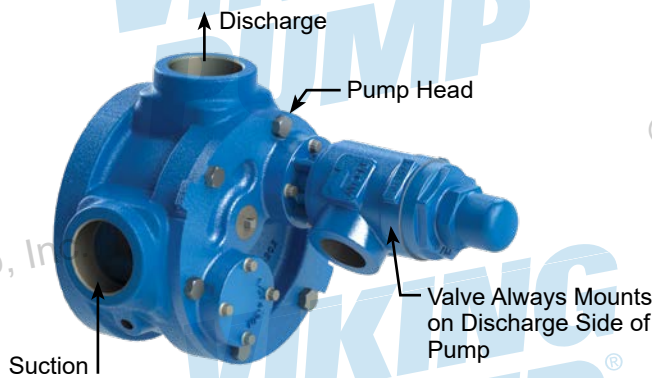


FIGURE A5-A: INTERNAL PRESSURE RELIEF VALVE



NOTE: 124AE, 4124AE, 224AE, 4224AE, 1124AE & 1224AE SERIES™ PUMPS DISCONTINUED AS OF 4Q20.

**FIGURE A5-B:
RETURN-TO-TANK PRESSURE RELIEF VALVE**



⚠ CAUTION !

Internal type relief valves mounted on Viking pumps should always have the cap or bonnet pointed toward the suction side of the pump. Return-to-tank type relief valves should always be mounted on the discharge side of the pump. If pump rotation is reversed, change the relief valve. Turn the internal type end for end; move the return-to-tank type to the other port. If on a particular installation rotation is reversed, e.g., using one pump to fill a tank, and then by use of a reversing switch or other means of changing the rotation to permit the same pump to circulate the liquid through a heater or to load out, then pressure protection must be provided on both sides of the pump for both rotations. This may be a combination of relief valves, torque limiting devices or rupture disks.

⚠ CAUTION !

Pumps or systems without relief valves should have some form of pressure protection, e.g. torque limiting devices or rupture disks.

5. Pressure Protection - Viking pumps are positive displacement pumps. This means that when the pump is rotated, liquid will be delivered to the discharge side of the pump. If there is no place for this liquid to go, i.e. the discharge line is blocked or closed, pressure can build up until the motor stalls, the drive equipment fails, a pump part breaks or ruptures, or the piping bursts. Because of this, some form of pressure protection must be used with a positive displacement pump. This may be a relief valve mounted directly on the pump, an inline relief valve, a torque limiting device or a rupture disk.

The pressure relief valve mounted on most Viking pumps and most in-line valves are of the spring-loaded poppet design. See **Figure A4**. The spring (a) holds poppet (b) against the seat in the valve body (c) with a given force determined by the spring size and by how tightly it is compressed by the adjusting screw (d). The pump discharge pressure pushes against the underside of the poppet at point (e). When the force exerted by the liquid under the poppet exceeds that exerted by the spring, the poppet lifts and liquid starts to flow through the valve.

NOTE: 124AE, 4124AE, 224AE, 4224AE, 1124AE & 1224AE SERIES™ PUMPS DISCONTINUED AS OF 4Q20.

As the discharge pressure builds up, more and more of the liquid flows through until a pressure is reached at which all of the liquid being pumped is going through the valve. This pressure is the relief valve setting.

Viking pumps can be furnished with either an internal pressure relief valve - one which directs the flow from the valve back to the suction side of the pump - or a return-to-tank valve - which directs the flow through piping back to the supply tank. See **Figure A5-A** and **Figure A5-B**. An inline relief valve mounted in the discharge piping also directs the flow back to the supply tank. This type of valve should be mounted close to the pump so that the pressure drop through the piping between the pump and the valve is at a minimum. Be sure there are no shutoff valves between the pump and relief valve. Piping from a return-to-tank or an in-line valve to the supply tank should also be as short and as large as possible.

NOTE: On some models, the relief valve is mounted on the pump casing instead of the pump head.

The spring-loaded poppet-type valve is strictly a differential valve, sensing only those pressures on each side of the poppet. It should not be used as a pressure or flow control device. It is intended strictly as a relief valve.

The pressure at which either the return-to-tank or internal relief valve bypasses can be changed by turning the adjusting screw. Do not back the adjusting screw all the way out. Stop when spring tension is off the screw (the screw starts to turn easily). For details on maintenance of the relief valve, refer to the Technical Service Manual covering your model series.

6. Motor - follow local electrical codes when hooking up motors.

FOUNDATION

Every pump should have a solid foundation. It may be any structure sufficiently strong to hold the pump rigid and to absorb any strain or shock that may be encountered.

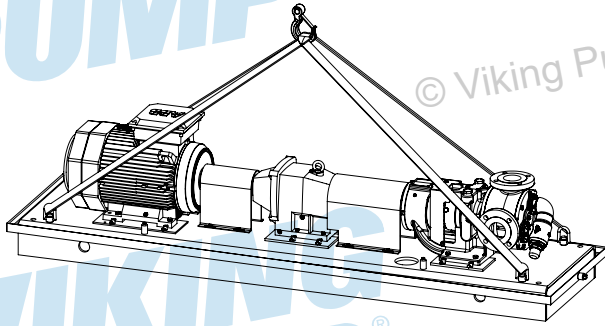
A certified print of the pumping unit should be used in preparing the foundation. If a separate foundation is provided, make it at least four inches wider and longer than the base of the unit.

When the unit is placed on the foundation, it should be leveled and checked for position against the piping layout and then fastened down.

COMPONENT & UNIT LIFTING FEATURES

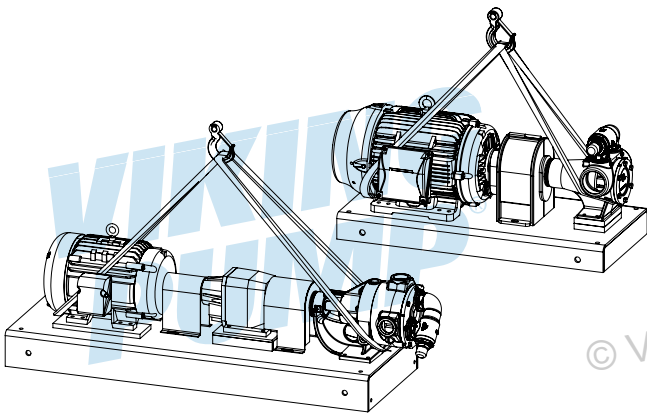
Removable lifting features, such as threaded eye bolts and hoist rings, installed in components (pumps, reducers, motors, etc.) and baseplates should be left on the components. These features are used to safely lift and move the individual components. Following are general guidelines for lifting Viking Pump® units.

**FIGURE A6:
EXAMPLE OF PROPER LIFTING METHOD**



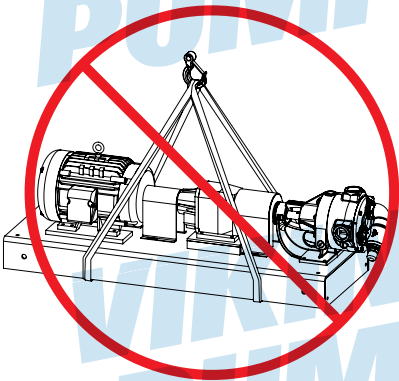
NOTE: Units should be lifted by the base lifting features using two or more lifting slings.

**FIGURE A7:
EXAMPLES OF PROPER LIFTING METHOD**



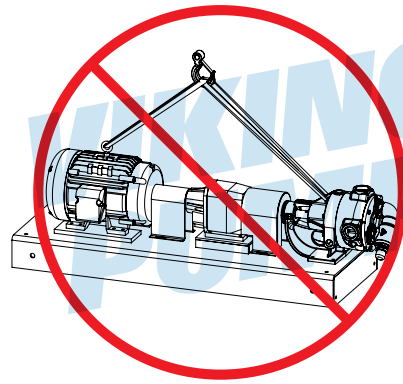
NOTE: Use two or more lifting slings around the pump and the motor when the base does not have lifting features. Make sure the slings are secure and the load is balanced before attempting to lift.

**FIGURE A8:
EXAMPLE OF IMPROPER LIFTING METHOD**



NOTE: NEVER lift the unit with slings unsecured under the base. The slings can slide, allowing the unit to tip and/or fall. Improper lifts can result in personal injury and/or damage to the unit.

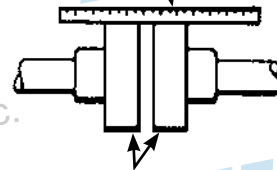
**FIGURE A9
EXAMPLE OF IMPROPER LIFTING METHOD**



NOTE: NEVER lift the unit with slings connected to the component lifting features. The lifting features are designed for the individual component and are not rated to lift the entire unit. Improper lifts can result in personal injury and/or damage to the unit.

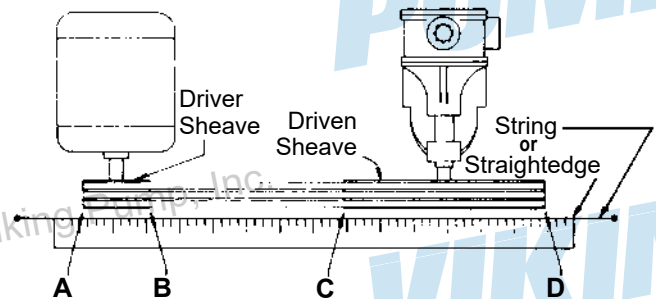
FIGURE A10-A

Use a straightedge. These surfaces must be parallel.



Check width between these surfaces with inside calipers to be certain the faces are equal distance apart and parallel.

FIGURE A10-B



When sheaves are properly aligned, all points A, B, C, D will touch string or straightedge.

ALIGNMENT

CHECK ALIGNMENT AFTER MOUNTING

For detailed coupling alignment procedures see coupling manufacturers' recommendations.

The pump, drive, and motor were properly aligned at the time they were assembled. During shipping and mounting the alignment is often disturbed. **BE SURE TO RECHECK ALIGNMENT AFTER THE PUMP UNIT IS INSTALLED!**

1. Check pump ports to be sure they are square and in the proper position; shim or move the pump as required. Do not force piping to line up with the ports.
2. If the pump is driven by a flexible coupling(s) either directly connected to the motor or through a reducer, remove any coupling guards or covers and check alignment of the coupling halves. At a minimum, a straightedge (such as a piece of key stock) across the coupling must rest evenly on both rims at the top, bottom, and sides. See **Figure A10-A**.
3. If the pump is driven by V-belts, check the alignment by using a long straightedge or tightly drawn string across the face of the sheaves. See **Figure A10-B**.

4. Make a final check on alignment after piping is hooked up. Refer to item 13 in **Piping** section.

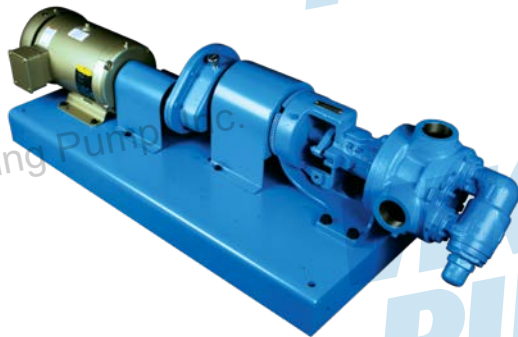
Figure A11 and **Figure A12** show typical direct drive and gear reducer drive units.

5. For high temperature applications (those above 300°F) allow the pump to reach operating temperature, then recheck alignment.

FIGURE A11: DIRECT DRIVE



FIGURE A12: REDUCER DRIVE



PIPING

The cause of many pumping problems can be traced to suction piping. It should always be as large and short as practical. For help in selecting the proper size suction and discharge piping, refer to **Viking General Catalog Section 510**.

Before starting the layout and installation of your piping system, consider the following points:

1. Never use piping smaller than the pump port connections.
2. Be sure the inside of the pipe is clean before hooking it to the pump.
3. **FOOT VALVE** - When pumping a light liquid with a suction lift, a foot valve at the end of the suction piping or a check valve in the first horizontal run will hold the liquid in the line and make it easier for the pump to prime. Be sure the foot or check valve is big enough so that it doesn't cause excessive line loss.
4. When approaching an obstacle in the suction or discharge line, go around the obstacle instead of over it. Going over it creates an air pocket. See **Figure A13**.
5. Where practical, slope the piping so no air or liquid pockets will be formed. Air pockets in the suction line make it hard for the pump to prime.
6. For a suction line with a long horizontal run, keep the horizontal portion below the liquid level if possible. This keeps the pipe full of liquid and reduces the amount of air the pump must evacuate at startup. This is most helpful when there is no foot valve. See **Figure A14**.
7. When piping a hot or cold system (liquid being handled is at a temperature different from the air surrounding the pump), be sure allowance is made for expansion and contraction of the piping. Loops, expansion joints, or unsecured (this does not mean unsupported) runs should be used so the pump casing is not distorted.
8. **STRAINER** - It is always good practice to consider a strainer on the suction side of a positive displacement pump. The strainer will keep foreign objects from going into the pump. Without a strainer objects can lock the pump, and damage the internals and drive. The strainer basket mesh or perforation size should be big enough so that it does not cause excessive pressure drop, but it should be fine enough to protect the pump. When in doubt as to the proper size, check with the manufacturer, giving pipe size, flow rate, and viscosity involved. Provision should be made for cleaning the strainer. If the pump operates continuously, a bypass should be built around the strainer, or two strainers should be put in parallel with proper valving so they can be isolated for cleaning. Use of a strainer is particularly important at start up to help clean the system of weld beads, pipe scale, and other foreign objects. For additional information, refer to **TSM 640**.
9. If the pump is not equipped with a relief valve, consideration should be given to mounting one in the discharge line. Refer to discussion on pressure protection under item 5 in **General Installation Notes** section.
10. The pump should not be used to support the piping. The weight of the piping should be carried by hangers, supports, stands, etc.
11. When fastening the piping to the pump it should not be necessary to impose any strain on the pump casing. "Springing" or "drawing" the piping up to the pump will

NOTE: 124AE, 4124AE, 224AE, 4224AE, 1124AE & 1224AE SERIES™ PUMPS DISCONTINUED AS OF 4Q20.

cause distortion, possible misalignment, and probable rapid wear of the pump. Do not use the pump to correct errors in piping layout or assembly.

12. All joints of the piping system should be tight; pipe sealer will help assure leak-free threaded joints. Leaks in the suction line permitting air to be drawn in may cause a noisy pump or a reduction in capacity. It is not recommended to use PTFE tape on NPT ports as a pipe sealer. This action can result in cracks in the pump.
13. **ALIGNMENT** - Check the alignment of the drive after the piping is hooked up. As a final check on pump alignment, remove the head of the pump and with a feeler gauge determine if there is clearance all the way around between the rotor and casing. Because of manufacturing tolerances, bushing clearances, etc., the rotor may not be centered in the casing, but it should not drag; dragging would indicate unit misalignment or casing distortion from piping strain. Making this check is most desirable on installations involving Q, M and N size general purpose pumps.
14. The auxiliary piping hooked to jackets, glands, etc. for heating, cooling, quenching, or for other purposes should receive the same attention as the piping handling the pumped liquid.
15. Provide a pressure relief device in any part of a pump and piping system that can be valved off and, thus, completely isolated. This is particularly important:
 - a. When handling a cold liquid such as refrigeration ammonia that can warm up to ambient temperatures when the pump is shut off.
 - b. When handling a liquid such as asphalt or molasses that has to be heated before it can be pumped.

The rise in temperature causes the liquid to expand; if there is no provision for pressure relief in the closed off section, there is a chance that the pump or piping will rupture.

FIGURE A13

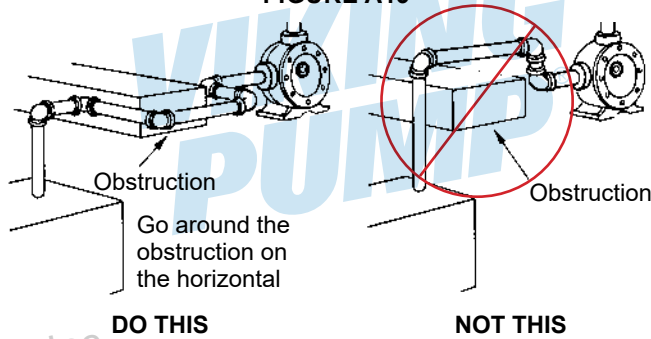
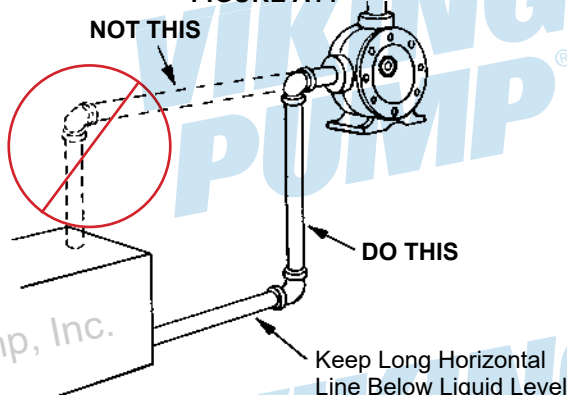


FIGURE A14



NOTE: 124AE, 4124AE, 224AE, 4224AE, 1124AE & 1224AE SERIES™ PUMPS DISCONTINUED AS OF 4Q20.

START UP

Before starting the pump, check the following:

1. Are there vacuum and pressure gauges on or near the pump? These gauges are the quickest and most accurate way of finding out what is happening in the pump.
2. Check alignment - See suggestions in the Alignment section of this manual.
3. Check piping to be sure there is no strain on the pump casing.
4. Rotate the pump shaft by hand to be sure it turns freely. **MAKE SURE THE PUMP DRIVER IS LOCKED OUT OR CANNOT BE ENERGIZED BEFORE DOING THIS.**
5. Jog motor to be sure it is turning in the right direction; refer to discussion on pump rotation under item 4 in **General Installation Notes** section.
6. Check any relief valves to be sure they are installed correctly. Refer to discussion on relief valves in **General Installation Notes** section.
7. Check suction piping to be sure:
 - a. It is all connected and tight
 - b. Valves are open
 - c. End of pipe is below liquid level
8. Check discharge piping to be sure:
 - a. It is all connected and tight
 - b. Valves are open
 - c. There is a place for the liquid to go
9. Lubricate any grease fitting on the pump using a #2 NLGI grease. Check any gear reducer, motor, coupling, etc. for instructions and lubricate as recommended by the manufacturer. See **Engineering Service Bulletin ESB-515** at the end of the **Appendix** for Viking standard grease types to check compatibility.
10. For packed pumps, loosen packing gland nuts so gland can be moved slightly by hand. Adjust gland to reduce leakage only after pump has run long enough to reach constant temperature. Packing should weep a little to keep it cool and lubricated.
11. Do not use the Viking pump to flush, pressure test or prove the system with water. Either remove the pump or run piping around it while flushing or testing. Pumping water, dirty or otherwise, can do more damage in a few minutes than months of normal service.
12. Check to be sure all guards are in place.
13. Check the pump to be sure it is heated to operating temperature (if jacketed or heat traced).

If the pump begins to deliver liquid within 60 seconds, it can continue to be operated. If liquid is not leaving the discharge port, stop the pump. Running the pump longer than one minute without liquid inside it can damage the pump. Review the steps just outlined, consider what the suction and discharge gauges indicate, and see **Troubleshooting** section. If everything appears to be in order, put some liquid in the pump. This will help it prime.

The pump can be restarted. If nothing is flowing within two minutes, stop the pump. The pump is not a compressor; it will not build up much air pressure. It may be necessary to vent the discharge line until liquid begins to flow.

If the pump still does not deliver flow, the cause may be one or more of the following:

1. Suction line air leaks. Vacuum gauge reading should help determine if this is the problem.
2. End of suction pipe not submerged deep enough in liquid.
3. Suction lift is too great or the suction piping is too small.
4. Liquid is vaporizing in the suction line before it gets to the pump.

If after consideration of these points it still does not pump, review again all points under **START UP**. Read through **Troubleshooting** in this manual and try again. If it still does not pump, contact your Viking Pump® representative.

TROUBLESHOOTING

A Viking pump that is properly installed and maintained will give long and satisfactory performance.

NOTE: Before making any pump adjustment or opening the pump liquid chamber in any manner, make sure that:

1. Any pressure in the pumping chamber has been vented through the suction or discharge lines or other openings provided for this purpose.
2. The driver has been “locked out” so that it cannot inadvertently be started while work is being done on the pump.
3. The pump has been allowed to cool down to the point where there is no chance of anyone being burned.

If trouble does develop, one of the first steps toward finding the difficulty is to *install a vacuum gauge in the suction port and a pressure gauge in the discharge port*. Readings on these gauges often will give a clue as to where to start looking for the trouble.

VACUUM GAUGE - SUCTION PORT

1. High reading would indicate:

- a. Suction line is blocked by a stuck foot valve, stuck gate valve, or plugged strainer.
- b. Liquid is too viscous to flow through the piping.
- c. Lift is too high.
- d. Line is too small.

2. Low reading would indicate:

- a. Air leak in suction line.
- b. End of pipe is not in liquid.
- c. Pump is worn.
- d. Pump is dry - should be primed.

3. Fluttering, jumping, or erratic reading:

- a. Liquid is vaporizing.
- b. Liquid is coming to pump in slugs, possibly an air leak, insufficient liquid above the end of the suction pipe.
- c. Vibrating from cavitation, misalignment, or damaged parts.

PRESSURE GAUGE - DISCHARGE PORT

1. High reading would indicate:

- a. High viscosity, small diameter discharge line or long discharge line.
- b. Gate valve is partially closed.
- c. Filter is plugged.
- d. Vertical head did not consider a high specific gravity liquid.
- e. Line is partially plugged from build up on inside of pipe.
- f. Liquid in the pipe is not up to temperature.
- g. Liquid in the pipe has undergone a chemical reaction and has solidified.
- h. Relief valve is set too high.

2. Low reading would indicate:

- a. Relief valve is set too low.
- b. Relief valve poppet is not seating properly.
- c. Bypass around the pump is partially open.
- d. Too much extra clearance.
- e. Pump is worn.

3. Fluttering, jumping, or erratic reading:

- a. Cavitation.
- b. Liquid is coming to the pump in slugs.
- c. Air leak is in the suction line.
- d. Vibrating from misalignment or mechanical problems.

Some of the following may also help pinpoint the problem:

A. Pump does not pump.

1. Pump has lost its prime due to air leak, low level in tank, foot valve stuck.
2. Suction lift is too high.
3. Rotating in wrong direction.
4. Motor does not come up to speed.
5. Suction and discharge valves not open.
6. Strainer is clogged.
7. Bypass valve open, relief valve set too low, relief valve poppet stuck open.
8. Pump is worn out.
9. Any changes in the liquid system or operation that would help explain the trouble, e.g. new source of supply, added more lines, inexperienced operators, etc.
10. Too much end clearance.
11. Head position is incorrect. See **Figure A3**.
12. Temperature changes either in the liquid or environment.
13. **Mag Drive pumps ONLY:** The magnetic coupling is decoupling. Changes in application (temperature, pressure, viscosity, etc.) may require torque beyond coupling capabilities.

B. Pump starts, then loses its prime.

1. Supply tank is empty.
2. Liquid is vaporizing in the suction line.
3. Air leaks or air pockets in the suction line; leaking air through packing or mechanical seal.
4. Pump is worn out.

NOTE: 124AE, 4124AE, 224AE, 4224AE, 1124AE & 1224AE SERIES™ PUMPS DISCONTINUED AS OF 4Q20.

RAPID WEAR

C. Pump is noisy.

1. Pump is being starved (heavy liquid cannot get to pump fast enough). Increase suction pipe size or reduce length.
2. Pump is cavitating (liquid vaporizing in the suction line). Increase suction pipe size or reduce length. If pump is above the liquid, raise the liquid level closer to the pump. If the liquid is above the pump, increase the head of liquid.
3. Check alignment.
4. May have a bent shaft or rotor tooth. Straighten or replace.
5. Relief valve chatter. Increase pressure setting.
6. May have to anchor base or piping to eliminate or reduce vibration.
7. May be a foreign object trying to get into the pump through the suction port.
8. **Mag Drive pumps ONLY:** The magnetic coupling has decoupled. Shut off and let cool, then restart.

D. Pump not up to capacity.

1. Starving or cavitating. Increase suction pipe size or reduce length.
2. Strainer partially clogged.
3. Air leak in suction piping or along pump shaft.
4. Running too slowly. Check the motor is running at the correct speed and that it is wired correctly.
5. Bypass line around pump partially open.
6. Relief valve set too low or stuck open.
7. Pump is worn out.
8. Too much end clearance.
9. Head position incorrect. See **Figure A3**.

E. Pump takes too much power.

1. Running too fast. Verify the motor speed, reducer ratio, sheave size, and other drive components are correct for the application?
2. The liquid is too viscous for the size of the unit. Heat the liquid to reduce viscosity, increase the pipe size, slow down the pump, or use a larger motor.
3. Discharge pressure higher than calculated. Verify with a pressure gauge. Increase size or reduce length of pipe, reduce speed (capacity), or get bigger motor.
4. Packing gland drawn down too tight.
5. Pump misaligned.
6. Extra clearance on pumping elements may not be sufficient for operating conditions. Check parts for evidence of drag or contact in pump and increase clearance where necessary.
7. System pressure relief valve is set too high.
8. Bushings have locked to shaft or pin, or the liquid has set up in the pump.

F. Rapid Wear.

On most applications the pump will operate for many months or years before it gradually loses its ability to deliver capacity or pressure. Examination of such a pump would show a smooth wear pattern on all parts. Rapid wear, occurring in a few minutes, hours or days, shows up as heavy grooving, galling, twisting, breaking or similar severe signs of trouble. See **Rapid Wear Table**.

RAPID WEAR TABLE

CAUSE		EVIDENCE	POSSIBLE SOLUTION
1	ABRASIVES	Gouges or marks made by large, hard particles; a rapid wearing away of bushings from very small abrasives; or anything in between.	Flush the system with the pump removed. Install strainer in suction line. Most abrasive objects and particulate is removed after a few cycles (or days) of flushing.
2	CORROSION	Rust, pitting or metal appears to be "eaten" away.	Check the Viking General Catalog Liquid List for materials of construction recommendation. Consider whether all of the materials used in pump construction were attacked; consider other materials used in the system to determine how they resisted the liquid. Check to see whether or not the liquid has been contaminated to make it more corrosive than anticipated.
3	EXCEEDING OPERATING LIMITS	Noisy operation, broken bushings, twisted shaft, parts show evidence of high heat (discoloration).	Review General Catalog for operating limits on particular model involved.
4	INSUFFICIENT EXTRA CLEARANCE	Pump may stall. Evidence of heavy contact between end of rotor teeth and head or other parts.	Increase end clearance and/or contact your Viking Pump® representative with details of the application, so that information regarding proper extra clearance may be provided.
5	LACK OF LUBRICATION	Noisy bearings, localized heating at bearings or lip seal, smoke, rapid bushing wear.	Be sure all grease fittings are greased before starting, and instructions for lubrication of drive equipment are followed; consider use of auxiliary lubricating equipment.
6	MISALIGNMENT	Wear on only one part of a surface, e.g., one side of the casing, one side of the packing gland, only a portion of the face of the head.	Double check alignment of drive equipment and piping. Check the alignment under conditions as close to operating conditions as possible.
7	RUN DRY	Pump stalls because parts have uneven expansion caused by frictional heat; galling between surfaces having relative motion; seal seats and idler pins changing color because of high heat.	Be sure there is liquid in the system at the time of start up. Provide some kind of automatic alarm or shut-off if supply tank runs dry.

NOTE: 124AE, 4124AE, 224AE, 4224AE, 1124AE & 1224AE SERIES™ PUMPS DISCONTINUED AS OF 4Q20.

PREVENTATIVE MAINTENANCE

Performing a few preventative maintenance procedures will extend the life of your pump and reduce the overall cost of ownership.

A. Lubrication - Grease all grease fittings after every 500 hours of operation. If service is severe, grease more often. Do it gently with a hand gun until the grease exiting the lip seal or relief plug is similar in consistency and color to the new grease.

Use a NLGI #2 grease for normal applications. See **ESB-515** at the end of the **Appendix** for Viking standard grease types to check compatibility. For hot or cold applications, use appropriate grease.

O-Pro® seals should also be greased every 500 hours of operation with a lubricating fluid compatible with the process fluid.

B. Packing Adjustment - Occasional packing adjustment may be required to keep leakage to a slight weep. If impossible to reduce leakage by gentle tightening, replace packing or use different type. Refer to *Technical Service Manual on particular model series for details on repacking.*

C. End Clearance Adjustment - After long service, the running clearance between the end of the rotor teeth and the head may have increased through wear. This wear may cause a loss of capacity or pressure. Resetting end clearance will normally improve pump performance. Refer to *TSM on particular model series for procedure on adjusting end clearance for pump involved.*

D. Examine Internal Parts - Periodically remove the head, examine idler and bushing and head and pin for wear. Replacing a relatively inexpensive idler bushing and idler pin after only moderate wear will eliminate the need to replace more expensive parts at a later date. Refer to *TSM on particular model series for procedure in removing head of the pump.* Be sure idler does not slide off the idler pin as the head is removed. If it does slide off the idler can cause personal injury or damage the part.

E. Cleaning the Pump - A clean pump is easier to inspect, lubricate, adjust, and runs cooler.

F. Storage - If pump is to be stored or not used for six months or more, pump must be drained, and a light coat of non-detergent SAE 30 weight oil must be applied to all internal pump parts. Lubricate fittings and apply grease to pump shaft extension. Viking suggests rotating pump shaft by hand one complete revolution every 30 days to circulate the oil. Retighten all gasketed joints before using the pump.

DO'S & DON'TS

Do's and Don'ts for installation, operation, and maintenance of Viking pumps to assure safe, long, trouble-free operation.

INSTALLATION

1. **DO** install pump as close to supply tank as possible.
2. **DO** leave working space around the pumping unit.
3. **DO** use large, short, and straight suction piping.
4. **DO** install a strainer in the suction line.
5. **DO** double check alignment after the unit is mounted and piping is hooked up.
6. **DO** provide a pressure relief valve for the discharge side of the pump.
7. **DO** cut out the center of gaskets used as port covers on flanged port pumps.
8. **DO** record pump model number and serial number and file for future reference.

OPERATION

1. **DON'T** run pump at speeds faster than shown in the catalog for your model.
2. **DON'T** require pump to develop pressures higher than those shown in the catalog for your model.
3. **DON'T** operate pumps at temperatures above or below limits shown in the catalog for your pump.
4. **DON'T** operate pumps without all guards being in place.
5. **DON'T** operate pump without a relief valve on the pump or in the discharge piping. Be sure valve is mounted and set correctly.
6. **DON'T** exceed catalog limits for temperature and pressures of fluids in jacketed areas of pump.
7. **DON'T** use the pump in a system which includes a steam, air, or vapor blow or purge **without** provision for over-speed shutdown, in case the pump starts to act as a turbine and over-speeds the drive.
8. **DON'T** operate the pump with all of the liquid bypassing through a pump mounted internal type relief valve, or without any flow of liquid going through the pump for more than a couple of minutes. Operation under either of these conditions may result in a heat build-up in the pump, which could cause hazardous conditions or happenings.

NOTE: 124AE, 4124AE, 224AE, 4224AE, 1124AE & 1224AE SERIES™ PUMPS DISCONTINUED AS OF 4Q20.

MAINTENANCE

1. **DO** make sure any pump that has residual system pressure in it, or that has handled high vapor pressure liquids, such as LP-gas, ammonia, Freons, etc., has been vented through the suction or discharge lines or other openings provided for this purpose.
2. **DO** make sure that if the pump is still hooked to the driver while maintenance is being performed that the driver has been "locked out", so that it cannot be inadvertently started while work is being done on the pump.
3. **DO** make sure any pump that has handled a corrosive, flammable, hot, or toxic liquid has been drained, flushed, vented and/or cooled before it is disassembled.
4. **DO** remember that a few simple preventative maintenance procedures such as periodic lubrication, adjustment of end clearance, examination of internal parts, etc., will extend the service life of your pump.
5. **DO** obtain, read and keep maintenance instructions furnished with your pump.
6. **DO** have spare parts, pumps or standby units available, particularly if the pump is an essential part of a key operation or process.
7. **DON'T** drop parts during disassembly, e.g., idler can slip from the pin as the head is removed from the pump. It may cause personal injury or damage the part.
8. **DON'T** stick fingers in the ports of a pump. Serious injury may result.
9. **DON'T** spin the idler on the idler pin. Fingers may be jammed between teeth and crescent.

ESB-515

Effective 25-July-19

LUBRICATION OF VIKING PUMPS

Usage of Grease	General Description of Grease Used by Viking	Viking Recommended Supplier
Grease used for anti-friction bearings, sleeve bearings and lantern rings	Premium EP, Multi-purpose polyurea base grease	Any NLGI Grade 2 premium quality, multi-purpose, polyurea grease
Grease used for bracket bushing when seal is behind rotor	Petrolatum	Chevron Petrolatum Snow White
Grease used for O-Pro® Barrier / Guard Seals	Edible Grease, aluminum complex	Chevron FM ALC EP 0, 1, 2
Grease used for O-Pro® Cartridge Seals	High Temperature Grease	Misty Ultra High Temp Superfilm G00735

Lubricate each grease fitting every 500 hours of operation or every six months, whichever occurs first. If service is severe, grease more often. Be sure the grease is compatible with the grease used by Viking. Grease used for the bracket bushing and O-Pro® Seal should be compatible with the liquid being pumped.

Reservoir on Ammonia Pumps: The Series 4924A ammonia pumps are shipped without oil in the reservoir. Before start-up, fill the reservoir with one pint of Light Refrigeration Oil that is compatible with the Neoprene seal and with a maximum viscosity of 15,000 SSU at operating temperature. Drain and refill the reservoir after the first 200 hours of operation and every 1000 hours thereafter. Refer to Technical Service Manual TSM 1467.

Pumping Chamber of Stainless Pumps: All internal parts are coated with test fluid to avoid galling when the pump is first installed. Be sure the pump is kept full of liquid when in operation to prevent damage to the pump.

LUBRICATION OF VIKING REDUCERS

Viking gear reducers, "A", "B", "C" sizes use SAE 30 oil above 32°F and SAE 10W oil below 32°F.

- A Size: 3/8 PT. (6 oz.)
- B Size: 1/2 PT. (8 oz.)
- C Size: 2-1/4 PT. (36 oz.)

Viking gear reducers are shipped less oil. Before start-up, fill to proper level with quantity and type of oil shown in box at left. After first 100 hours of operation, drain and refill with new lubricant. Check lubricant level every 2000 hours or every six months. Once each year, drain and refill.

LUBRICATION OF VIKING ASSOCIATIVE EQUIPMENT

Check any motor, coupling, gear reducer or other drive equipment for manufacturer's instructions and lubricate as recommended.

NOTE: 124AE, 4124AE, 224AE, 4224AE, 1124AE & 1224AE SERIES™ PUMPS DISCONTINUED AS OF 4Q20.

TECHNICAL SERVICE MANUAL: INSTALLATION, OPERATION & MAINTENANCE



UNIVERSAL PRODUCT LINE: CAST IRON

124A SERIES™, 124AE SERIES™, 1124A SERIES™, 1124AE SERIES™,
 4124A SERIES™, 4124AE SERIES™, 4124B SERIES™, 224A SERIES™, 224AE SERIES™,
 1224A SERIES™, 1224AE SERIES™, 4224A SERIES™, 4224AE SERIES™, 4224B SERIES™,
 324A SERIES™, 1324A SERIES™, 4324A SERIES™

SIZES: G, H, HL, AK, AL, K, KK, L, LQ, LL, LS, Q, QS, M, N, R, RS

TSM	1400
Page	25 of 25
Issue	E

VIKING PUMP®

WARRANTY

Viking pumps, strainers and reducers are warranted to be free of defects in material and workmanship under normal conditions of use and service. The warranty period varies by type of product. A Viking product that fails during its warranty period under normal conditions of use and service due to a defect in material or workmanship will be repaired or replaced by Viking. At Viking's sole option, Viking may refund (in cash or by credit) the purchase price paid to it for a Viking product (less a reasonable allowance for the period of use) in lieu of repair or replacement of such Viking product. Viking's warranty is subject to certain restrictions, limitations, exclusions and exceptions. A complete copy of Viking's warranty, including warranty periods and applicable restrictions, limitations, exclusions and exceptions, is posted on Viking's website (www.vikingpump.com/warranty#information). A complete copy of the warranty may also be obtained by contacting Viking through regular mail at Viking Pump, Inc., 406 State Street, Cedar Falls, Iowa 50613, USA.

THIS WARRANTY IS AND SHALL BE VIKING'S SOLE AND EXCLUSIVE WARRANTY AND IS IN LIEU OF ALL OTHER WARRANTIES, EXPRESS OR IMPLIED, INCLUDING, BUT NOT LIMITED TO, ALL WARRANTIES OF MERCHANTABILITY, FITNESS FOR A PARTICULAR PURPOSE AND NON-INFRINGEMENT, ALL OF WHICH OTHER WARRANTIES ARE EXPRESSLY EXCLUDED.

THE RIGHTS AND REMEDIES UNDER THIS WARRANTY ARE AND SHALL BE THE SOLE AND EXCLUSIVE RIGHTS AND REMEDIES AGAINST VIKING. EXCEPT FOR THE SPECIFIC LIABILITIES AND OBLIGATIONS PROVIDED UNDER THIS WARRANTY, VIKING SHALL HAVE NO LIABILITY OR OBLIGATION WITH RESPECT TO ANY PRODUCT CLAIMED TO BE DEFECTIVE IN ANY MANNER.

UNDER NO CIRCUMSTANCES SHALL VIKING BE LIABLE UNDER THIS WARRANTY OR OTHERWISE FOR SPECIAL, INCIDENTAL, INDIRECT, CONSEQUENTIAL OR PUNITIVE DAMAGES OF ANY KIND, INCLUDING, BUT NOT LIMITED TO, LOST OR UNREALIZED SALES, REVENUES, PROFITS, INCOME, COST SAVINGS OR BUSINESS, LOST OR UNREALIZED CONTRACTS, LOSS OF GOODWILL, DAMAGE TO REPUTATION, LOSS OF PROPERTY, LOSS OF INFORMATION OR DATA, LOSS OF PRODUCTION, DOWNTIME, OR INCREASED COSTS, IN CONNECTION WITH ANY PRODUCT, EVEN IF VIKING HAS BEEN ADVISED OR PLACED ON NOTICE OF THE POSSIBILITY OF SUCH DAMAGES AND NOTWITHSTANDING THE FAILURE OF ANY ESSENTIAL PURPOSE OF ANY PRODUCT.

NOTE: 124AE, 4124AE, 224AE, 4224AE, 1124AE & 1224AE SERIES™ PUMPS DISCONTINUED AS OF 4Q20.