

Axial Fan Models PMCB 290 to 1550

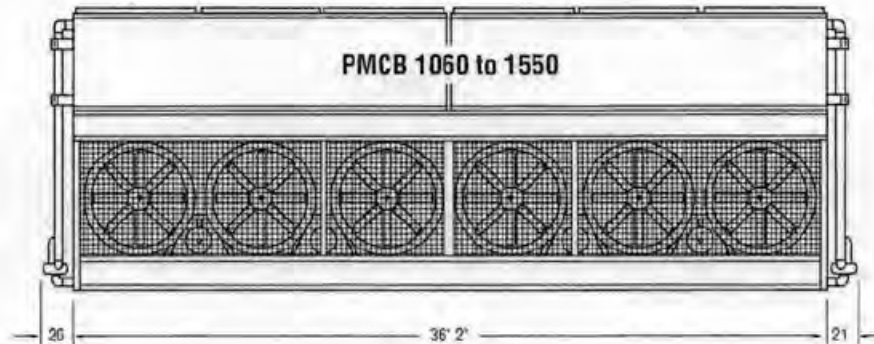
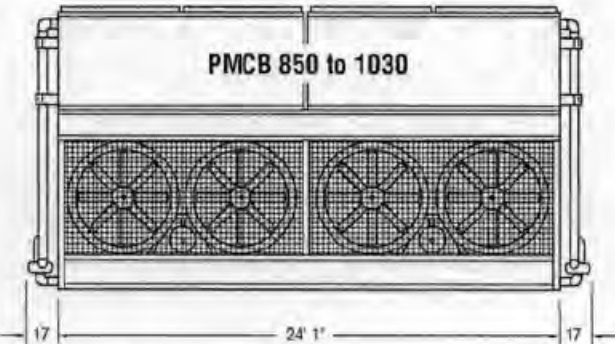
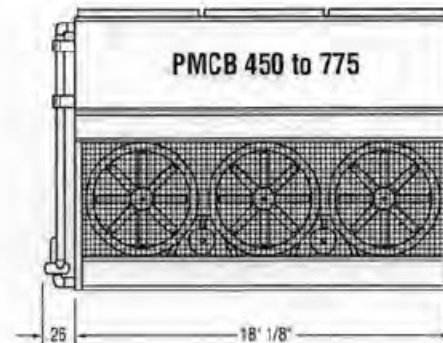
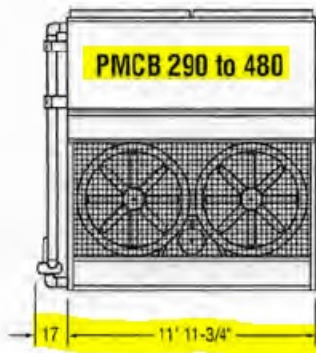
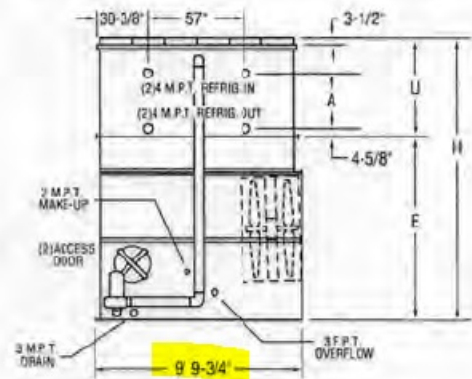


Table 18 Engineering Data

PCMB Model No.*	R-717 Tons*	Fans		Weights			Refrigerant Operating Charge lbs.	Coil Volume ft ³	Spray Pump		Remote Pump			Dimensions			
		HP	CFM	Shipping	Operating	Heaviest Section†			HP	GPM	Gallons Req'd**	Conn. Size	Operating Weight	Height H	Upper U	Lower E	Coil A
290	206	10	62,300	12,870	18,530	8,530	330	38	5	685	420	10"	17,230	12' 6-1/4"	3' 11-3/4"	8' 6-1/2"	22-1/4"
330	234	7-1/2	56,500	14,890	20,740	10,740	440	50	5	685	420	10"	19,440	13' 2-3/4"	4' 8-1/8"	8' 6-1/2"	30-3/4"
350	248	10	61,600	14,980	20,830	10,740	440	50	5	685	420	10"	19,530	13' 2-3/4"	4' 8-1/8"	8' 6-1/2"	30-3/4"
385	273	10	60,400	17,090	23,170	12,940	550	62	5	685	420	10"	21,870	13' 11-1/4"	5' 4-3/4"	8' 6-1/2"	39-1/4"
390	277	15	67,800	15,130	20,980	10,740	440	50	5	685	420	10"	19,680	13' 2-3/4"	4' 8-1/8"	8' 6-1/2"	30-3/4"
415	294	20	74,000	15,250	21,100	10,740	440	50	5	685	420	10"	19,800	13' 2-3/4"	4' 8-1/8"	8' 6-1/2"	30-3/4"
425	301	15	66,100	17,240	23,320	12,940	550	62	5	685	420	10"	22,020	13' 11-1/4"	5' 4-3/4"	8' 6-1/2"	39-1/4"
455	323	20	72,500	17,360	23,440	12,940	550	62	5	685	420	10"	22,140	13' 11-1/4"	5' 4-3/4"	8' 6-1/2"	39-1/4"
480	340	25	76,500	17,500	23,580	12,940	550	62	5	685	420	10"	22,280	13' 11-1/4"	5' 4-3/4"	8' 6-1/2"	39-1/4"
450	319	10 & 5	96,500	19,030	27,180	12,380	490	56	7-1/2	1,030	620	12"	25,230	12' 6 1/4"	3' 11-3/4"	8' 6-1/2"	22-1/4"