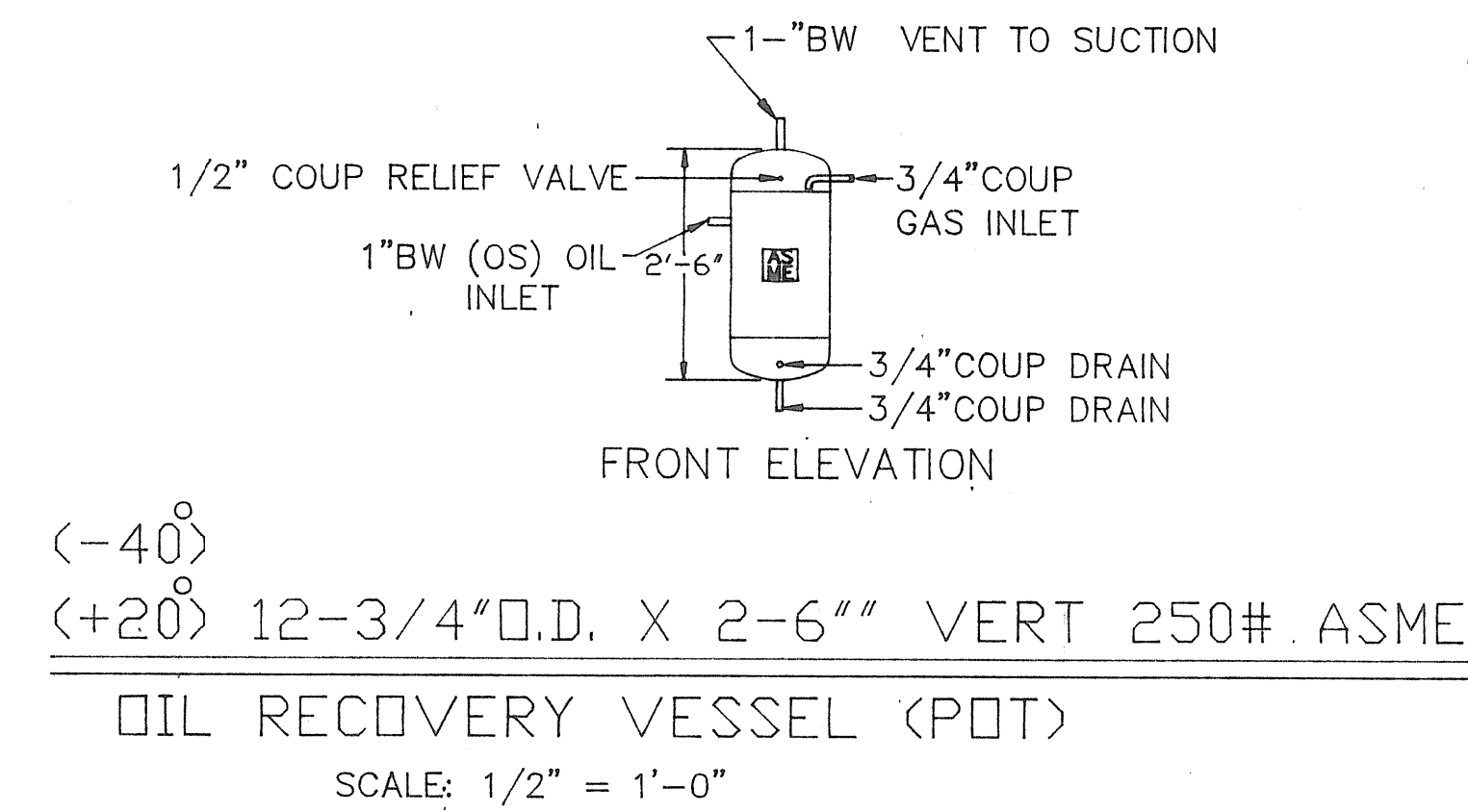
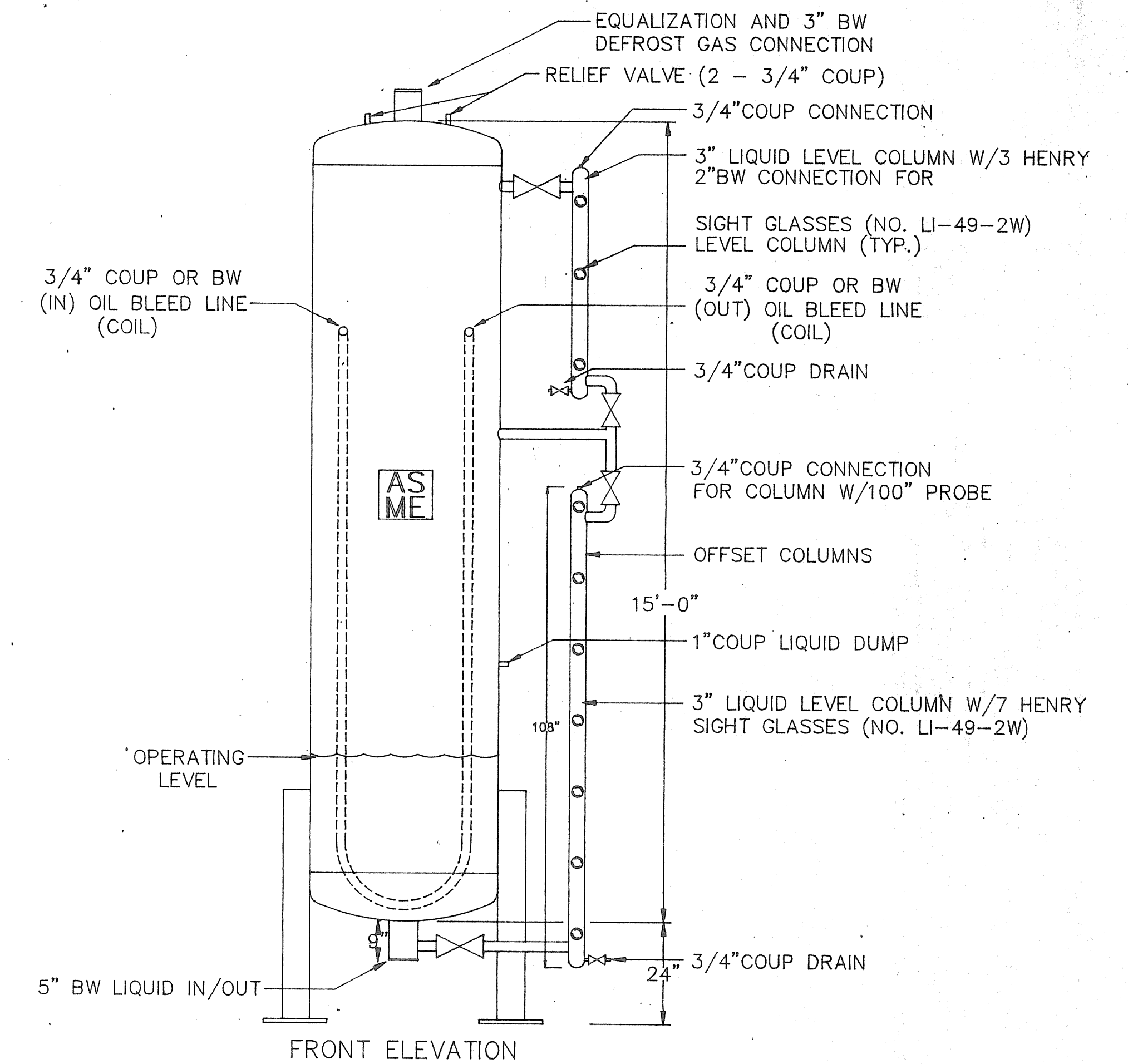


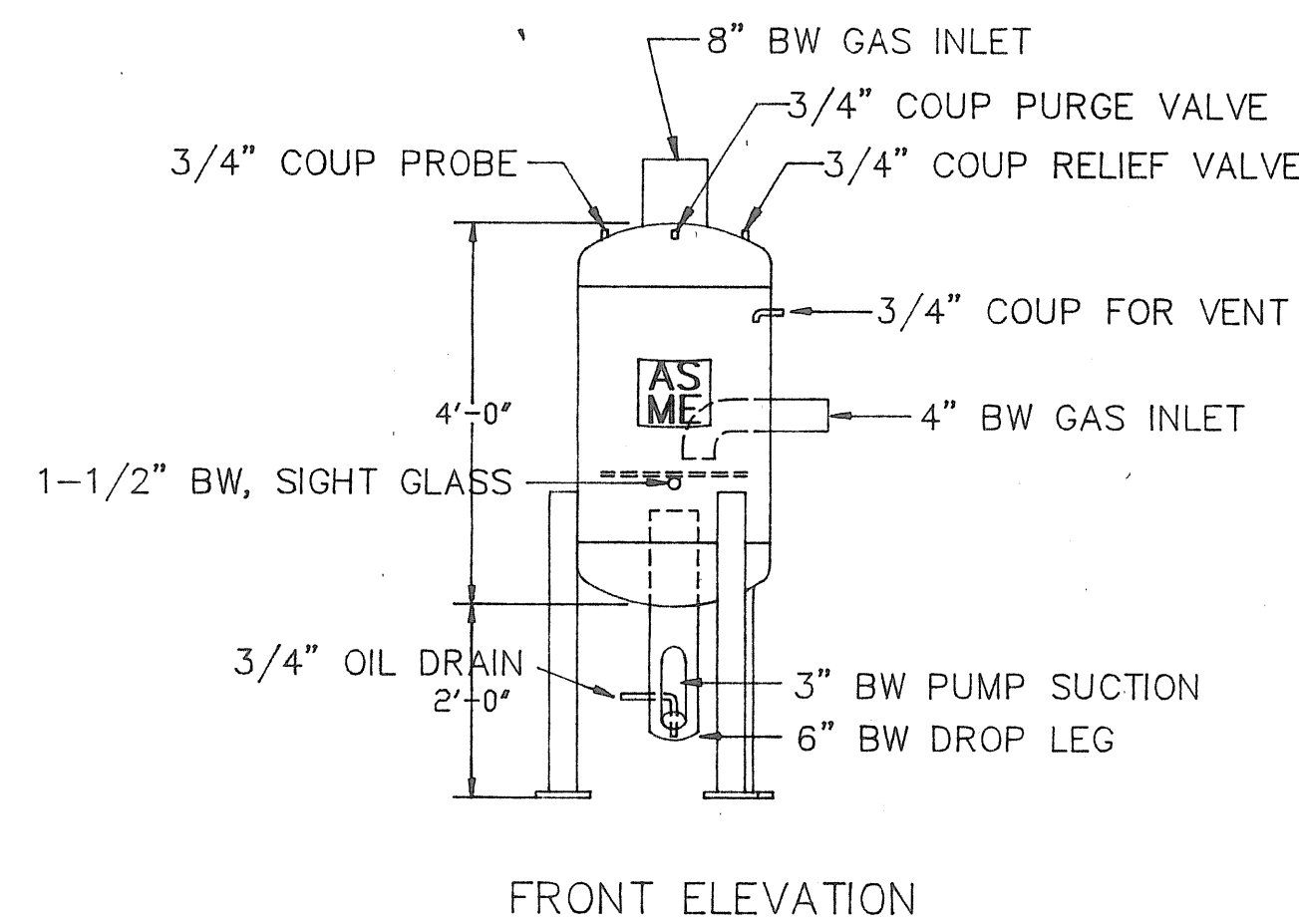
(-40) 60" O.D. X 12'-0" VERT 250# ASME
 PUMP LIQUID RECIRCULATION VESSEL
 SCALE: 1/2" = 1'-0"



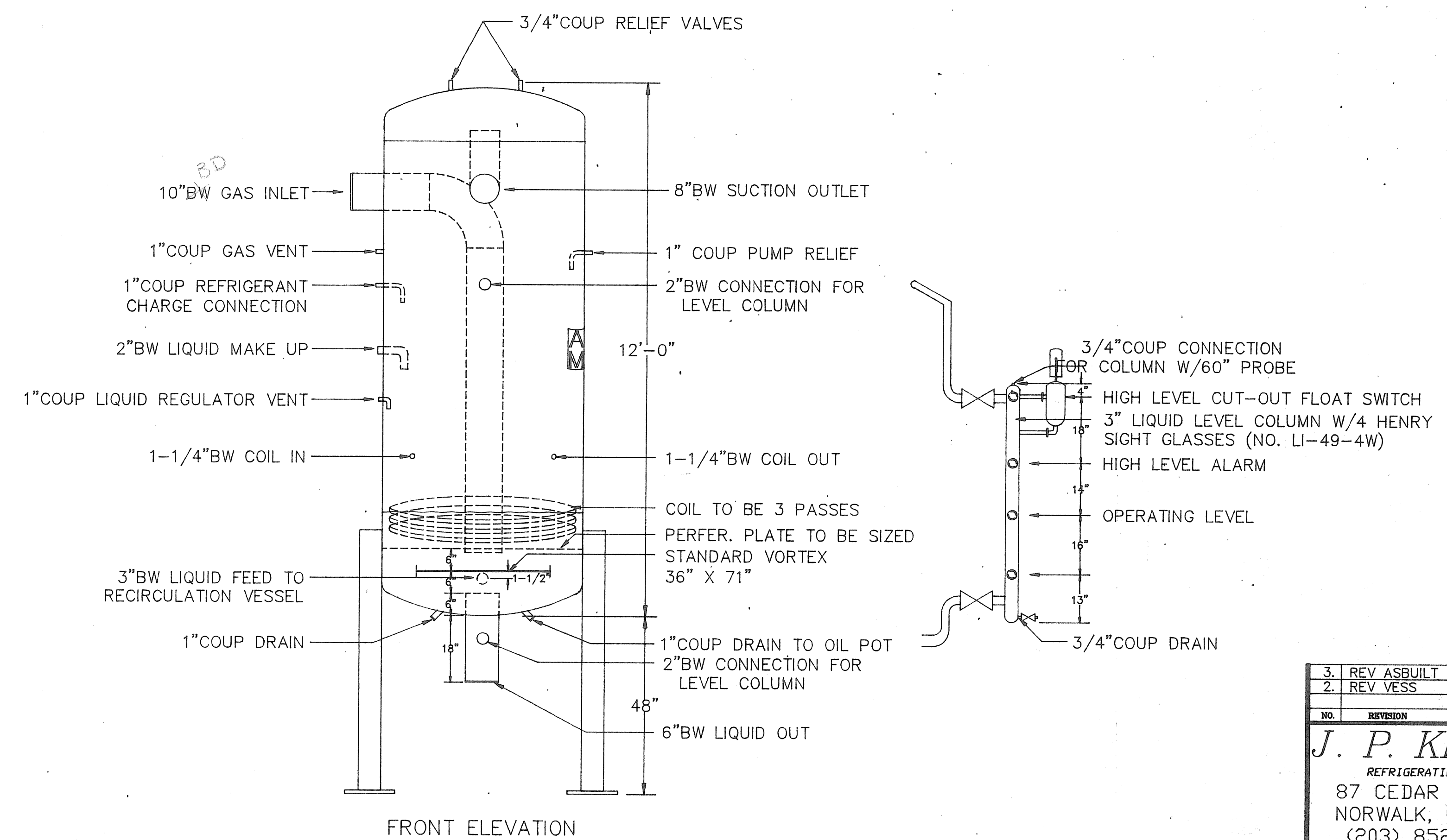
(-40)
 (+20) 12-3/4" O.D. X 2'-6" VERT 250# ASME
 OIL RECOVERY VESSEL (POT)
 SCALE: 1/2" = 1'-0"



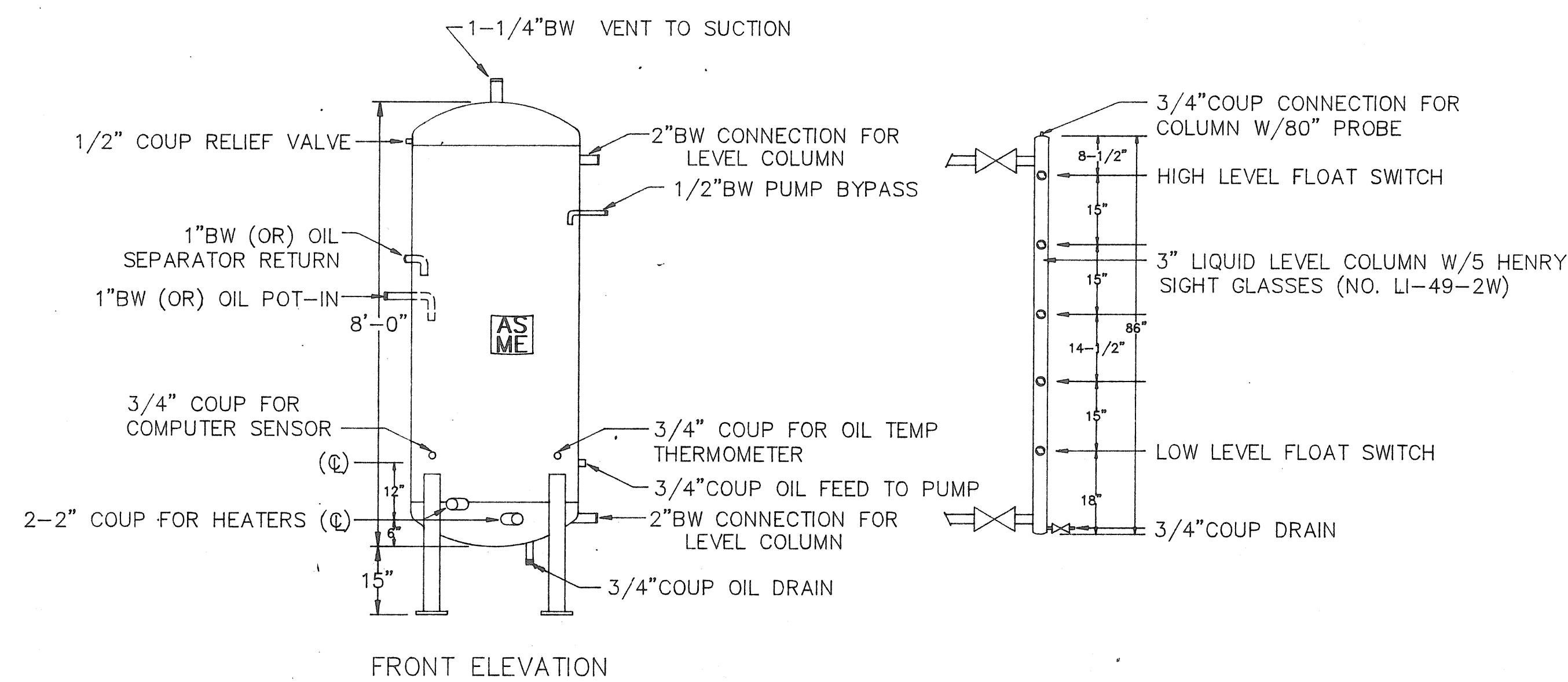
(+93) 42" O.D. X 15'-0" VERT 250# ASME
 HIGH PRESSURE RECEIVER VESSEL
 SCALE: 1/2" = 1'-0"



24" O.D. X 4'-0" VERT 150# ASME
 TRANSFER VESSEL
 SCALE: 1/2" = 1'-0"

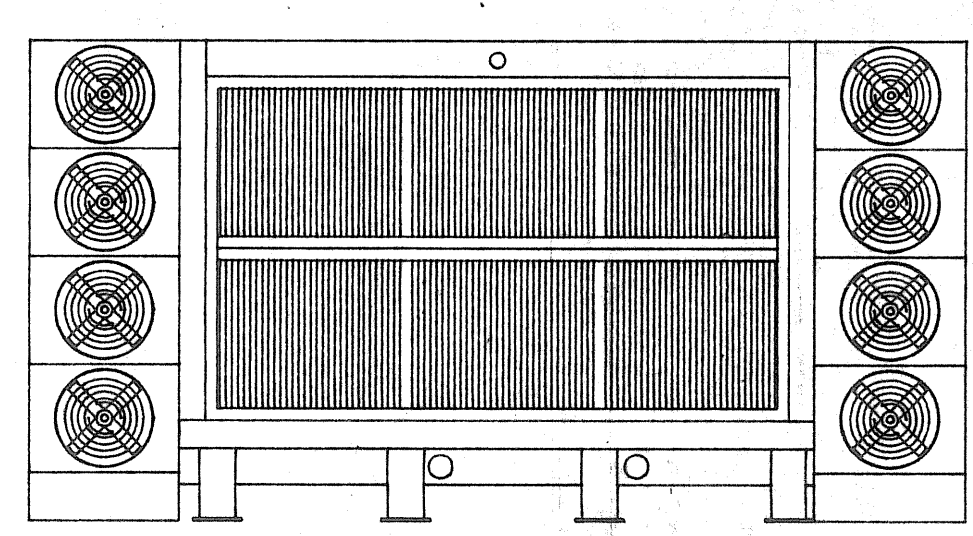
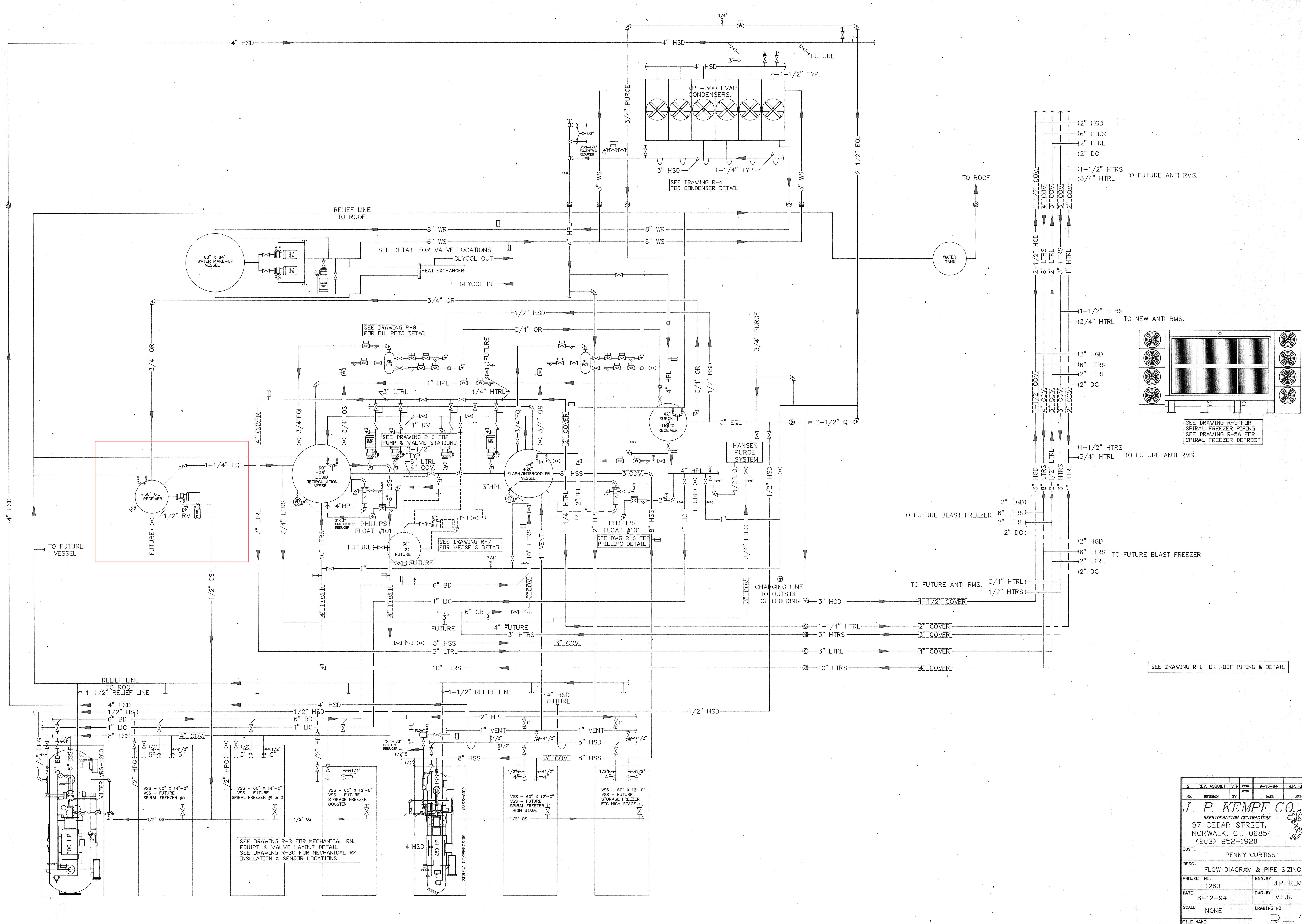


(+20) 54" O.D. X 12'-0" VERT. 250# ASME
 FLASH/INTERCOOLER/RECIRCULATION VESSEL
 SCALE: 1/2" = 1'-0"



(+90) 36" O.D. X 8'-0" VERT 250# ASME
 OIL RECOVERY RECEIVER VESSEL
 SCALE: 1/2" = 1'-0"

3	REV ASSUILT	VERI	9-15-94	JPKEMPF JR
2	REV VESS	VR	3-1-94	JPKEMPF JR
NO.	REVISION	BY	DATE	APPRD BY
J. P. KEMPF CO. REFRIGERATION CONTRACTORS 87 CEDAR STREET, NORWALK, CT. 06854 (203) 852-1920				
CUST.	PENNY CURTISS			
DESC.	PRESSURE VESSELS DETAIL			
PROJECT NO.	1260	ENG. BY	J.P. KEMPF	
DATE	3-1-94	DWG. BY	V.F.R.	
SCALE	1/2" = 1'-0"			
FILE NAME	PEN-VES			
				R-7



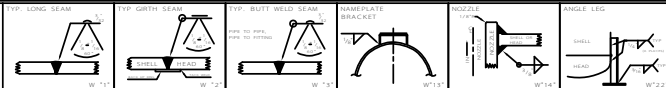
SEE DRAWING R-5 FOR SPIRAL FREEZER PIPING
SEE DRAWING R-5A FOR SPIRAL FREEZER DEFOST

SEE DRAWING R-1 FOR ROOF PIPING & DETAIL

2	REV. ASBULT	VFR	8-15-94	J.P. KEMPF JR.
NO.	REVISION	BY	DATE	APP'D BY
J. P. KEMPF CO.				
REFRIGERATION CONTRACTORS				
87 CEDAR STREET, NORWALK, CT. 06854 (203) 852-1920				
CUST. PENNY CURTISS				
DESC. FLOW DIAGRAM & PIPE SIZING				
PROJECT NO.	1260			
DATE	8-12-94	ENG. BY	J.P. KEMPF	
SCALE	NONE	DWG. BY	V.F.R.	
FILE NAME	PEN-FLOW			
		DRAWING NO.	R-2	

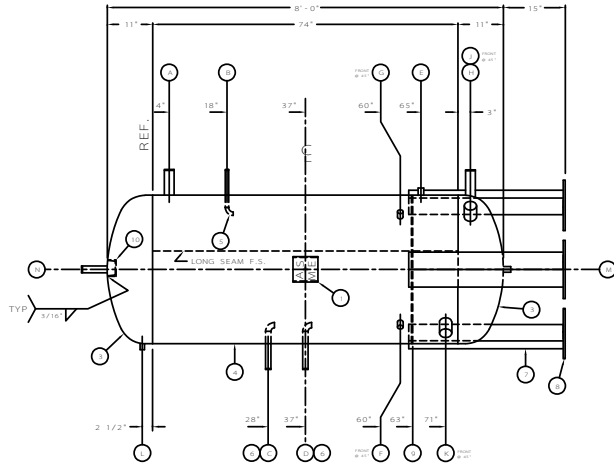
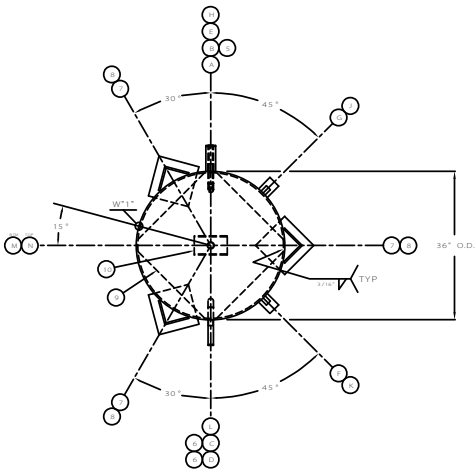
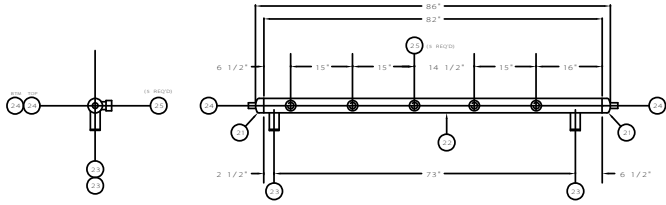
GENERAL NOTES

- 1) ALL PIPE NOZZLES EXTEND 6" OUTSIDE SHELL UNLESS INDICATED OTHERWISE.
- 2) ALL WELDS: WPS 10K, 1002, 1005, 2002, AND 4004 APPLY UNLESS INDICATED OTHERWISE.
- 3) SA476-70 MAY BE SUBSTITUTED FOR SA476.
- 4) SQUARE PIPE MAY BE SUBSTITUTED FOR SQUARE SEAMLESS AND VICE VERSA.
- 5) ALL BOLT HOLES STRADDLE CENTERLINE.



85 LEVEL COLUMN

21 - 2	6"	PIPE CAP	SA476	SA476 WPS
22 - 1	6"	PIPE	SA476	SA476 WPS
23 - 1	6"	PIPE	SA476	SA476 WPS
24 - 2	2 1/2"	PIPE	SA476	SA476 WPS
25 - 1		LEVEL INDICATOR	SA476	SA476 WPS



CUSTOMER: **J.P. KEMPF CO., INC.**
 P.O. NO.: **6190**

TEST WITH
OIL

ASME DATA PLATE

U	UNION BRONZE & SYSTEMS CORPORATION MAYFAIR, TEXAS
MAWT	250
MDMT	20
SA	SA476
SP	SP-1

BILL OF MATERIALS

NOZZLE SCHEDULE										SHELL HEADS, INTERNALS, SUPPORTS									
ID	OD	THICK	TYPE	SCHEDULE	MATERIAL	QTY	LN	QTY	LN	QTY	LN	QTY	LN	QTY	LN	QTY	LN	QTY	LN
21	6	0.312	SEAMLESS	SA476	PIPE CAP	1	1												
22	6	0.312	SEAMLESS	SA476	PIPE	1	1												
23	6	0.312	SEAMLESS	SA476	PIPE	1	1												
24	2.5	0.1875	SEAMLESS	SA476	PIPE	2	2												
25	6	0.312	SEAMLESS	SA476	PIPE	1	1												

VESSEL DESIGN SPECIFICATIONS

DESIGN & CONSTRUCTION IN ACCORDANCE WITH SECTION VIII, DIV. 1, ASME CODE FOR PRESSURE VESSELS 1992. DESIGN & DRAWING TO: **ASME**

NO. DATE BY REVISIONS DESCRIPTION

1 3/22/94 WMH DRAWN AS PER CUSTOMER

2 2/22/94 WMH REVISION 2 & 3 CHANGED TO

TITLE: **36" O.D. x 8'-0" VERT 250# ASME OIL RECEIVER**

Refrigeration Valve and Systems Corp.

1555 CROSSROAD DRIVE, BEAUMONT, TEXAS 77808

DRAWN BY: **WMH** SERIAL NO: **94280** SCALE: **1"=1'-0"** DRAWING NO: **Rev2 L0093-4**

CHECKED BY: _____ DATE: **3/1/1994**