

Models ATC 187B to 755B

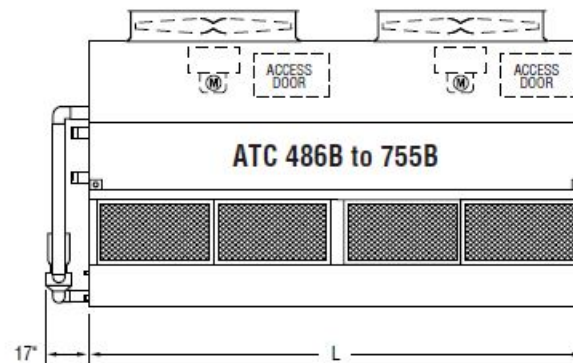
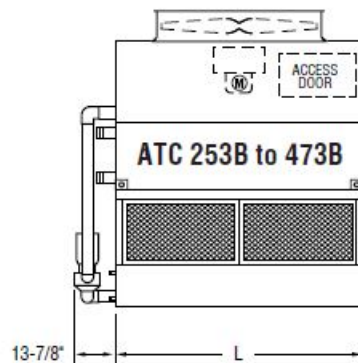
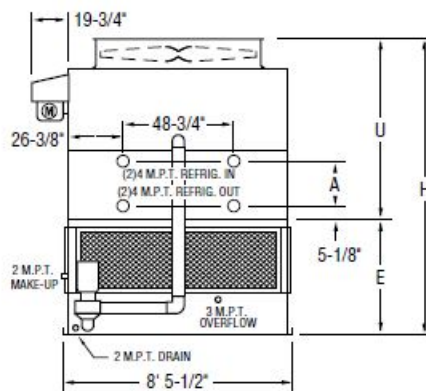
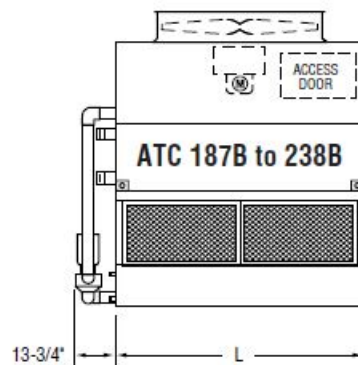
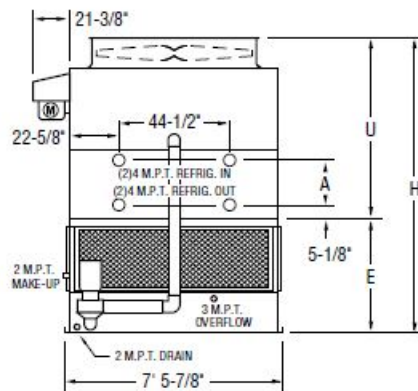


Table 8 Engineering Data

ATC Model No.*	R-717 Tons*	Fans		Weights			Refrigerant Operating Charge lbs.***	Coil Volume ft ³	Spray Pump		Remote Pump			Dimensions				
		HP††	CFM	Shipping	Operating	Heaviest Section†			HP	GPM	Gallons Req'd**	Conn. Size	Operating Weight	Height H	Upper U	Lower E	Coil A	Length L
187B	133	7-1/2	34,000	7,950	10,520	6,650	185	25	2	340	220	8"	9,440	11' 2"	7' 1-7/8"	4' 1/8"	27"	8' 5-1/2"
199B	142	10	37,200	7,980	10,550	6,680	185	25	2	340	220	8"	9,470	11' 2"	7' 1-7/8"	4' 1/8"	27"	8' 5-1/2"
221B	157	10	36,100	9,070	11,720	7,770	225	31	2	340	220	8"	10,640	11' 9-1/2"	7' 9-3/8"	4' 1/8"	34-1/2"	8' 5-1/2"
238B	169	15	40,500	9,130	11,780	7,830	225	31	2	340	220	8"	10,700	11' 9-1/2"	7' 9-3/8"	4' 1/8"	34-1/2"	8' 5-1/2"
253B	183	15	47,500	9,190	12,000	7,740	240	31	2	440	250	8"	10,940	11' 10-1/2"	7' 10-3/8"	4' 1/8"	37"	8' 11-1/2"
486B	200	15	50,000	9,250	12,200	7,740	240	31	2	440	250	8"	10,940	11' 10-1/2"	7' 10-3/8"	4' 1/8"	37"	8' 11-1/2"