

KINNEY® KD/KDH™

Rotary Piston, Single Stage Vacuum Pumps

Models:

KD-30 KD-50 KDH-130 KDH-150

Features:

- Absolute pressures down to the low micron range
- Full pumping speed down to 1 Torr
- Long-life operation due to no metal-to-metal contact in the pumping chamber
- High resistance to abrasion and corrosion
- No small orifices to plug up
- KD pumps Include integral oil mist eliminator
- Adjustable gas ballast permits handling of condensable vapors
- Designed to produce absolute pressures down to the low micron range, single stage rotary pumps are available in three sizes.

Models KD-30, KD-50

These pumps have a single shaft and two sets of cams and pistons mounted 180 degrees apart operating in parallel.

Model KDH-130, KDH-150

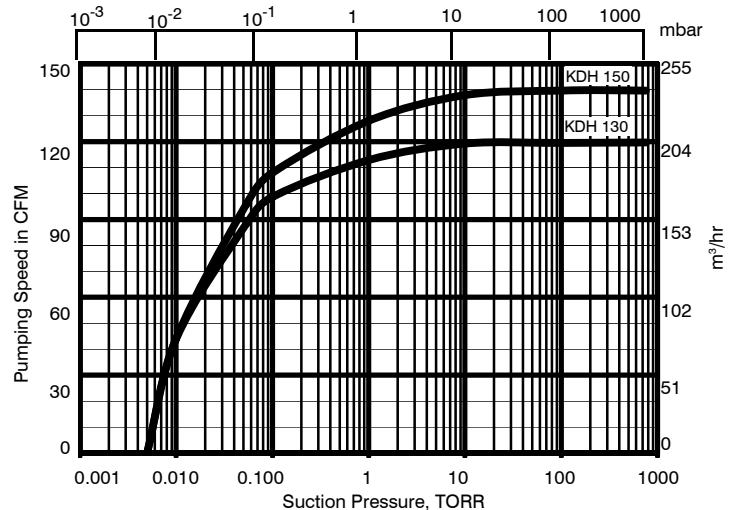
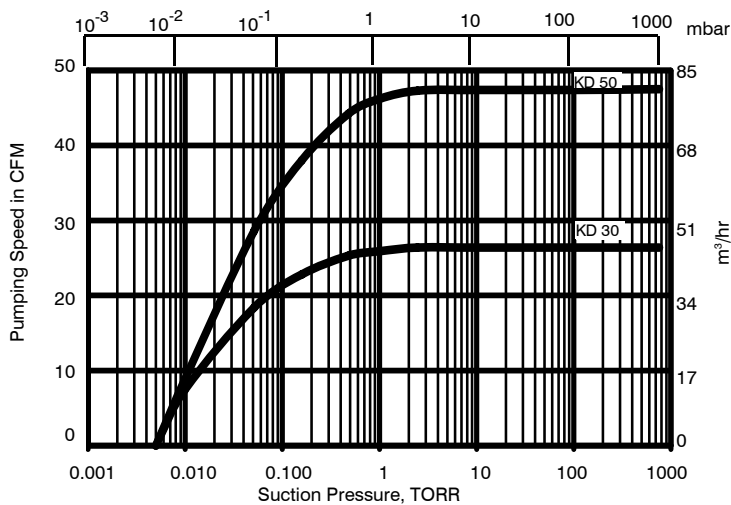
In addition to the features of the KD series the KDH-130, KDH 150 includes a water jacket for cooler operating temperatures (Air-cooling optional for continuous operating pressures <10 Torr*).



Specifications:

Model	Capacity CFM / m ³ /h	HP / kW	Oil Capacity Gal / Ltr	Water (80°F) GPM/LPM	Weight Lbs / Kg	Gas Ballast Flow (Max)	Blank-off (5% Gas) Microns / mbar	Ultimate Pressure Microns / mbar
KD-30	33 / 56	1.5 / 1.11	1 / 3.78	Air-cooled	200 / 91	8%	1.5 / 2	10 / 0.013
KD-50	52 / 88	2 / 1.5	3 / 11.34	Air-cooled	230 / 104	6%	1.5 / 2	10 / 0.013
KDH-130	134 / 227	5 / 3.7	6 / 22.68	.75 * / 3	755 / 331	6%	1.0 / 1.3	10 / 0.013
KDH-150	165 / 280	7.5 / 5.6	6 / 22.68	.75 / 3	840 / 381	6%	1.0 / 1.3	10 / 0.013

Typical Pumping Speed Curves



LEADING THE SEARCH FOR INNOVATIVE SOLUTIONS

Your Local Tuthill Vacuum & Blower Systems Sales Professional:



TUTHILL
Vacuum & Blower Systems

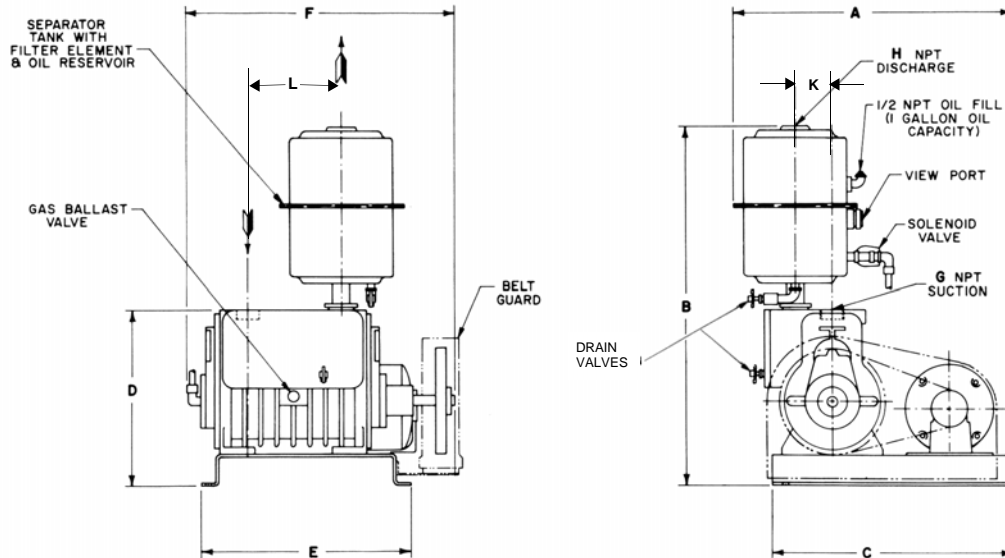


4840 West Kearney Street
Springfield, Missouri USA 65803-8702
Tel 417 865-8715 800 825-6937 Fax 417 865-2950
<http://vacuum.tuthill.com> vacuum@tuthill.com

Dimensions

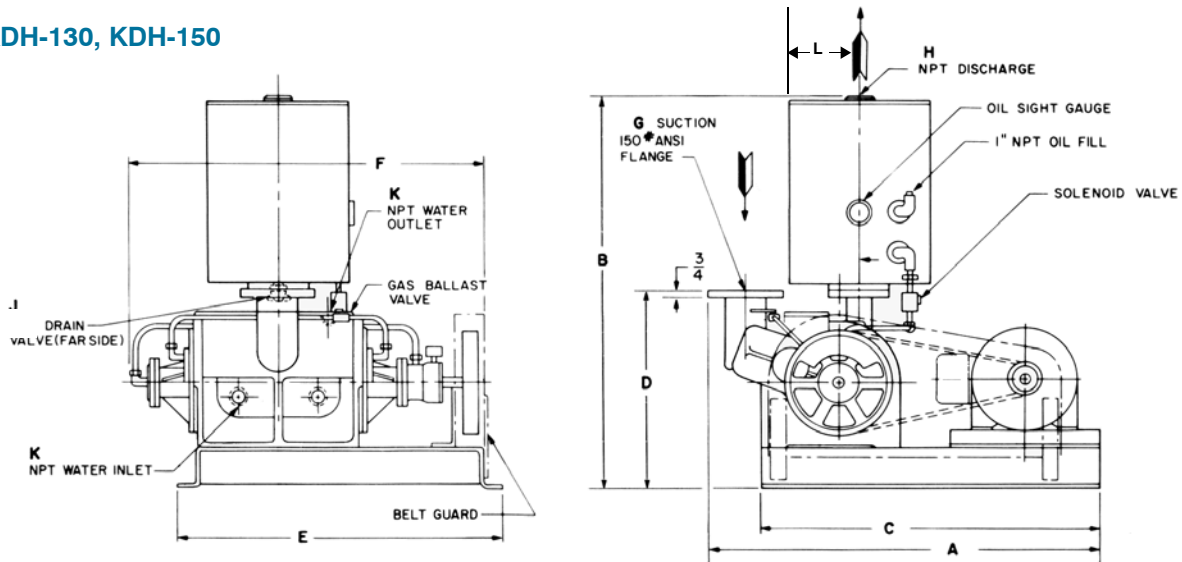
Values shown are approximate and should not be used for construction.
Certified drawings are available through your local Tuthill Vacuum & Blower Systems Sales Professional.

Models KD-30 KD-50



MODEL		A	B	C	D	E	F	G	H	K	L
KD-30	in.	27.75	29	24.50	12.81	17.38	20	1½"	1¼"	2.75	7.00
	mm	705	737	622	325	441	508			70	178
KD-50	in.	29.13	31.50	24.50	12.81	17.38	20	1½"	1½"	2.75	7.00
	mm	740	800	622	325	441	508			70	178

Model KDH-130, KDH-150



MODEL		A	B	C	D	E	F	G	H	K
KDH-130	in.	38.88	39.25	33.63	20	30.81	28.68	3	1½"	½"
KDH-150	mm	987	997	854	508	783	719	76	2"	¾"

LEADING THE SEARCH FOR INNOVATIVE SOLUTIONS

Your Local Tuthill Vacuum & Blower Systems Sales Professional:



TUTHILL
Vacuum & Blower Systems



4840 West Kearney Street
Springfield, Missouri USA 65803-8702
Tel 417 865-8715 800 825-6937 Fax 417 865-2950
http://vacuum.tuthill.com vacuum@tuthill.com