

ROTO-JET®

High Pressure Pitot Tube Pumps

Model RG 2x2

Grease Lubricated

Excellent
Engineering
Solutions

WEIR

High Pressure Single-Stage, Centrifugal Pump with Advanced Pitot Tube Technology

Advanced Design

- High pressure without high speed
- Flexible, performance can be adjusted by changing the pitot tube
- Simple - only two basic working parts

Dependable performance

- Hydraulically stable along the entire performance curve
- Low minimum flow requirement
- Rugged design, most reliable high pressure pump in the marketplace
- No wear rings or close clearances for maximum reliability

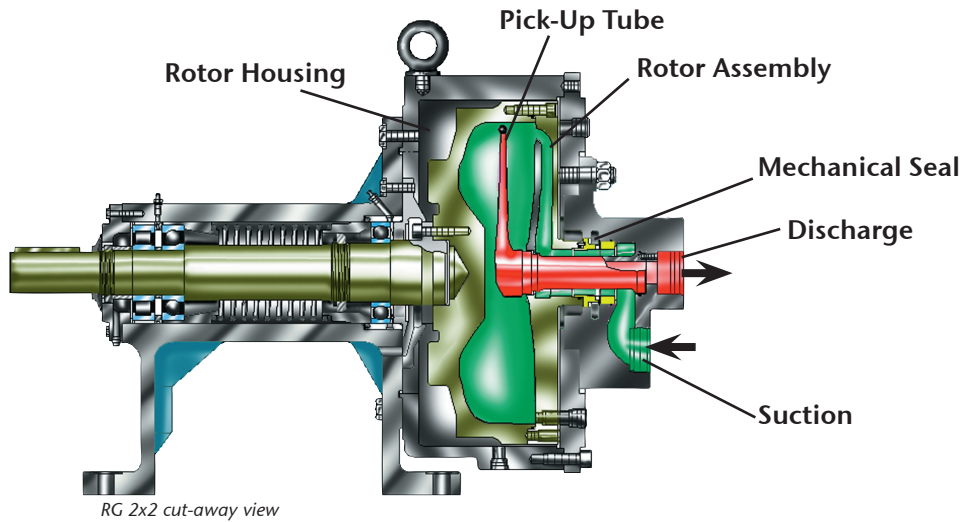
Enhanced Reliability

- Smooth, pulsation-free flow
- Low pressure mechanical seal is easily maintained
- Isolated bearing pedestal to minimize risk of bearing contamination

RG 2x2 Pump Features

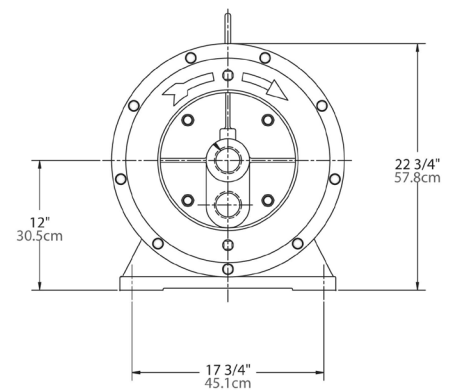
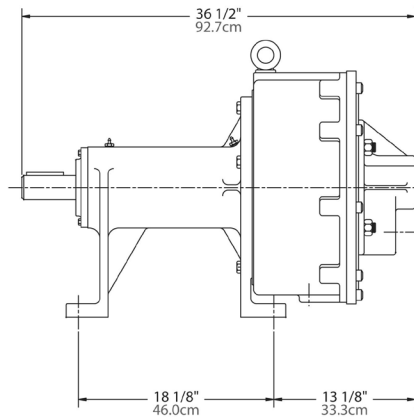
- Materials of construction: ductile iron
- Single mechanical seal
- Threaded connections
- Grease lubricated bearings





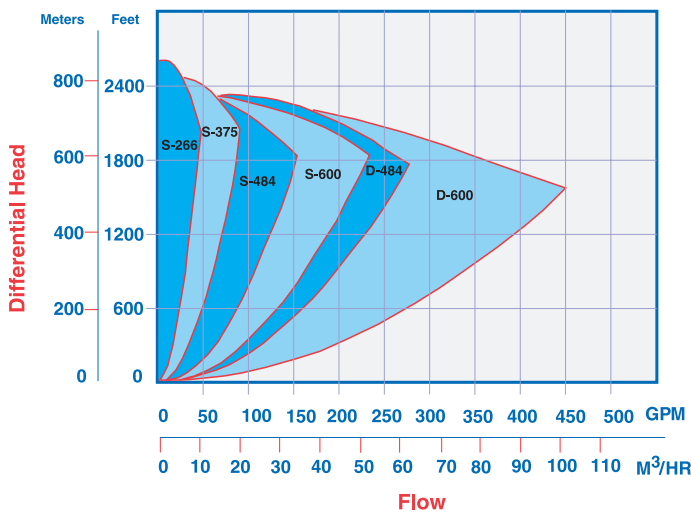
Typical Roto-Jet® Model RG 2X2 Applications

- Food and Beverage cleaning systems
- Reverse osmosis systems
- Automotive gun drilling coolant
- Spraying/washing systems
- High pressure paper shower
- Circuit board wash systems
- Water/process injection systems
- Seal flushing systems
- Boiler feed/cleaning systems



Note: Dimensions are for general reference only and will vary with actual model selected.

Operating Range



Specifications	RG 2x2	
Maximum Temperature	180° F	82° C
Maximum Suction Pressure	200 PSI	14 BAR
Maximum Head	2600 ft	792 m
Maximum Speed	4380 RPM	4380 RPM
Maximum Flow	400 GPM	91 m ³ /hr
Maximum Horsepower	400 HP	300 KW
Weight	870 lbs	395 kg
Materials of Construction		
Rotor	Standard Ductile Iron	
Rotor Cover	Ductile Iron	
Manifold	Ductile Iron	
Endbell	Ductile Iron	
Pick-up Tube*	17-4 PH	
Shaft	AISI 4140	

* Also available in 718 Inconel

Weir Specialty Pumps

440 West 800 South
P.O. Box 209 (84110-0209)
Salt Lake City, UT 84101
USA
Bulletin: RJ-RG 2x2

Tel: 1 801 359 8731
Fax: 1 801 530 7828
email: info@weirsp.com
www.weirsp.com

AUSTRALIAN DISTRIBUTOR



CALL 1300 789 466
When Pump Knowledge Matters
www.kelairpumps.com.au

Excellent
Engineering
Solutions

