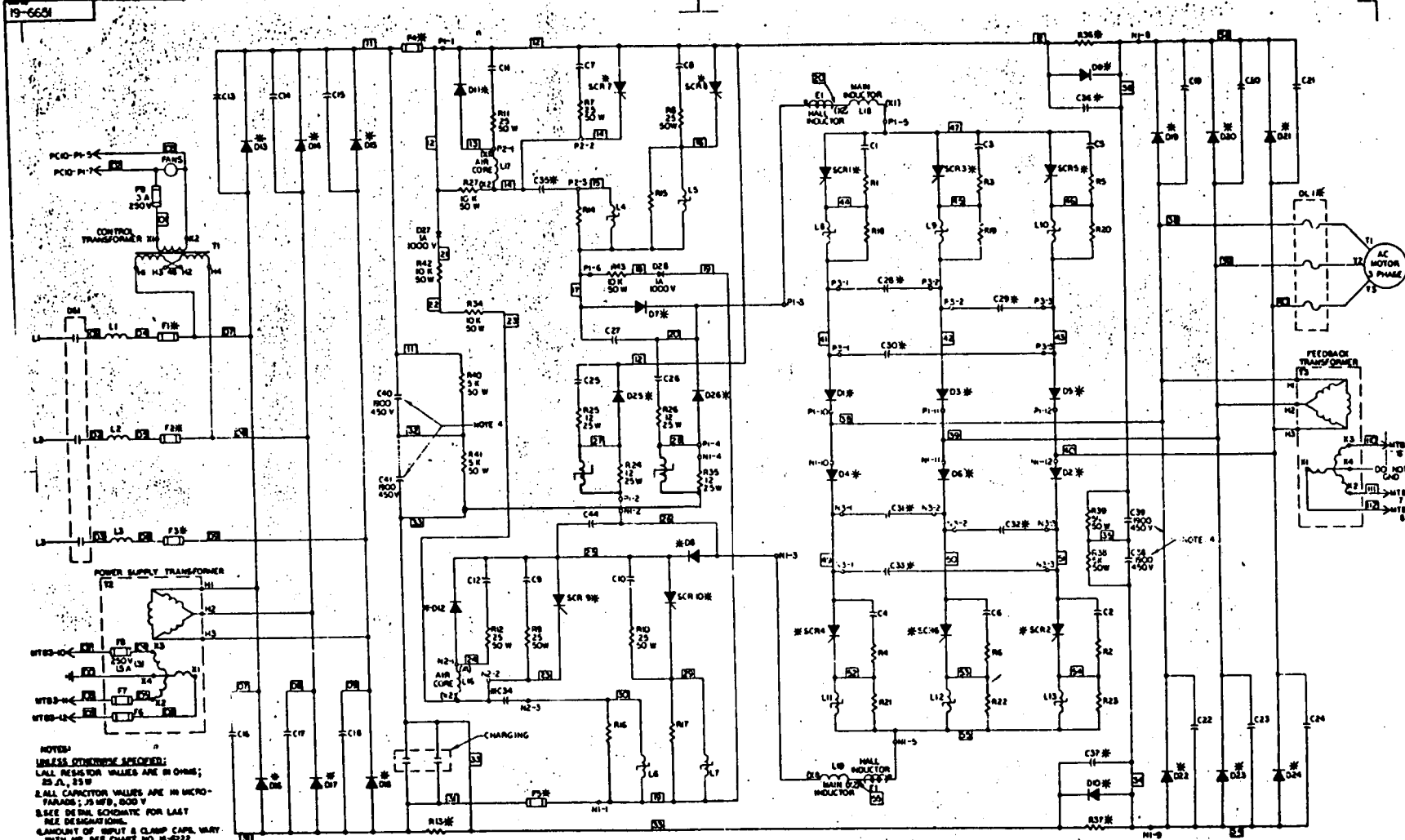


BISA

B15A

REV	DATE	BY	CHKD	DESCRIPTION	REV	DATE	BY	CHKD	DESCRIPTION	REV	DATE	BY	CHKD	DESCRIPTION	REV	DATE	BY	CHKD	DESCRIPTION
1					1					1					1				
2					2					2					2				
3					3					3					3				
4					4					4					4				
5					5					5					5				
6					6					6					6				



NOTES:
 UNLESS OTHERWISE SPECIFIED:
 ALL RESISTOR VALUES ARE IN OHMS;
 25 A, 25 W
 ALL CAPACITOR VALUES ARE IN MICRO-
 FARADS; 50 W, 500 V
 SEE SERIAL SCHEMATIC FOR LAST
 NAME DESIGNATION
 AMOUNT OF INPUT & CLAMP CAPS VARY
 WITH HP. SEE CHART NO. H-4222

FOR TEST CHECKS SEE CHART NUMBER H-4222

SCHEMATIC - 1540 APC, IS-150	GRAPHIC TRANSMISSION SHEET
BASIC POWER	
	DU
	3-1-77 (9-CC5)

POWER CIRCUIT REFERENCE

OSC REF. FROM SHEET 1

SHIFT POINT REF. FROM SHEET 1

RAMP CARRIER REF. FROM SHEET 1

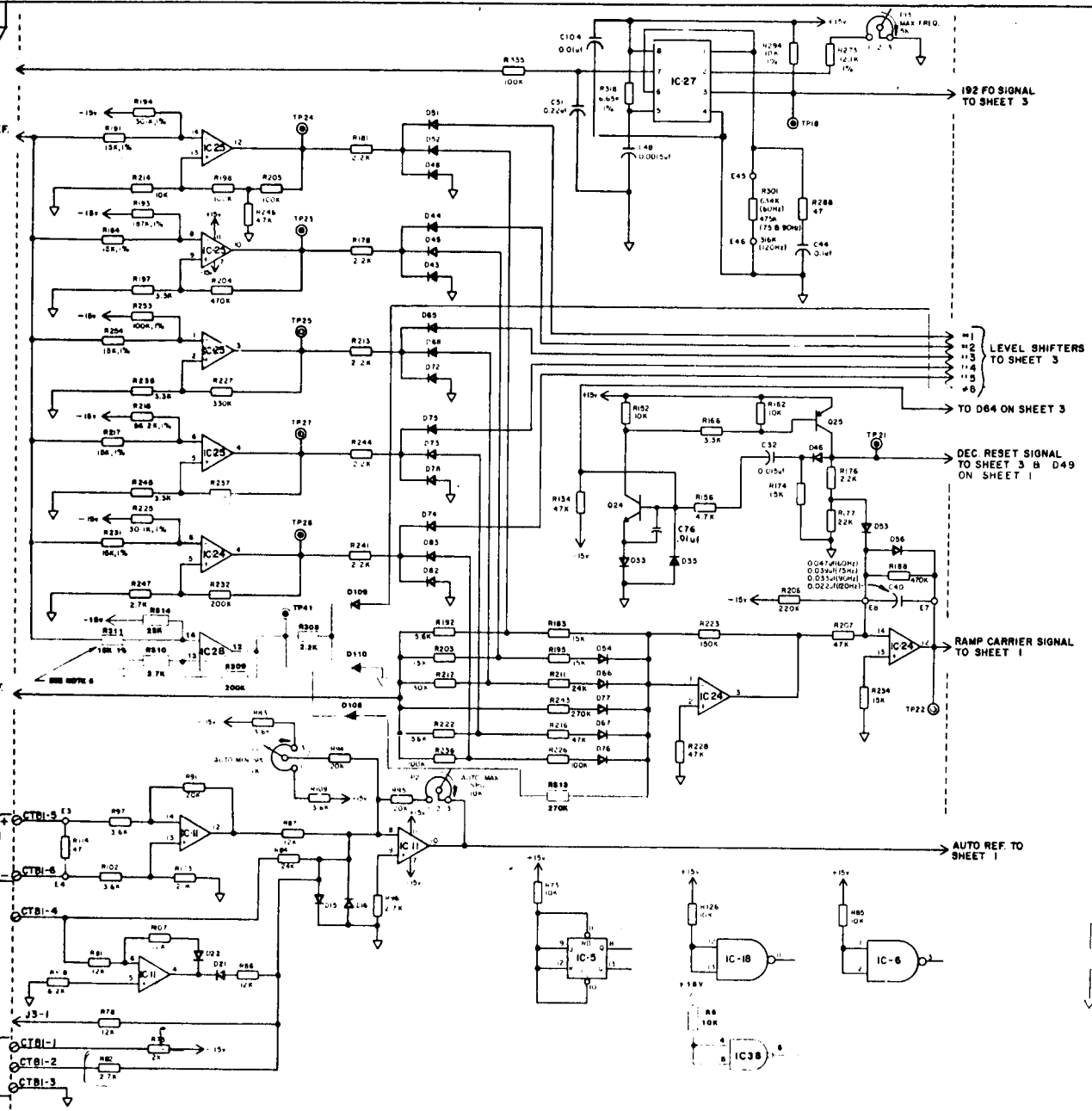
INPUT FROM CURRENT TRANSDUCER

FROM EXTERNAL 0 TO 10 VDC REFERENCE

TACH SIGNAL FROM AUX CONT CARD

FROM ISSA POT

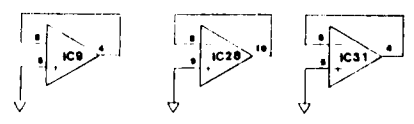
B16A



NOTES:

- 1) USE THIS DRAWING IN CONJUNCTION WITH ASSY DWG. C2-7564.
- 2) UNLESS OTHERWISE SPECIFIED
 ALL RESISTORS ARE 1/4W, 5%.
 ALL DIODES ARE 1N914
 ALL NPN TRANSISTORS ARE 2N3904.
 ALL PNP TRANSISTORS ARE 2N3008.
 ALL OP AMPS ARE QUAD 4133.
 IC1,2,3,4 ARE TRIPLE 3 INPUT NAND GATES, MC671.
 IC6,7,8,12,14,15,17, AND 19 ARE QUAD 2 INPUT NAND GATES, MC672.
 IC5,13,16,21, AND 22 ARE DUAL J-K FLIP FLOPS MC683.
 IC27 IS LM555AN OR RC4152N3.
- 3) THE FOLLOWING TERMINALS AND CONNECTOR PINS ARE NOT USED:
 J5-4, J6-3, J8-12, J7-1, J3-11, J8-12
- 4) D155, D154 & R44A ARE USED FOR AUTO UV RESET OPTION ONLY. (14-62P7)
- 5) R311 IS DELETED FOR -00 ACCY DEARLED 6TH SHFT POINT CIRCUITRY

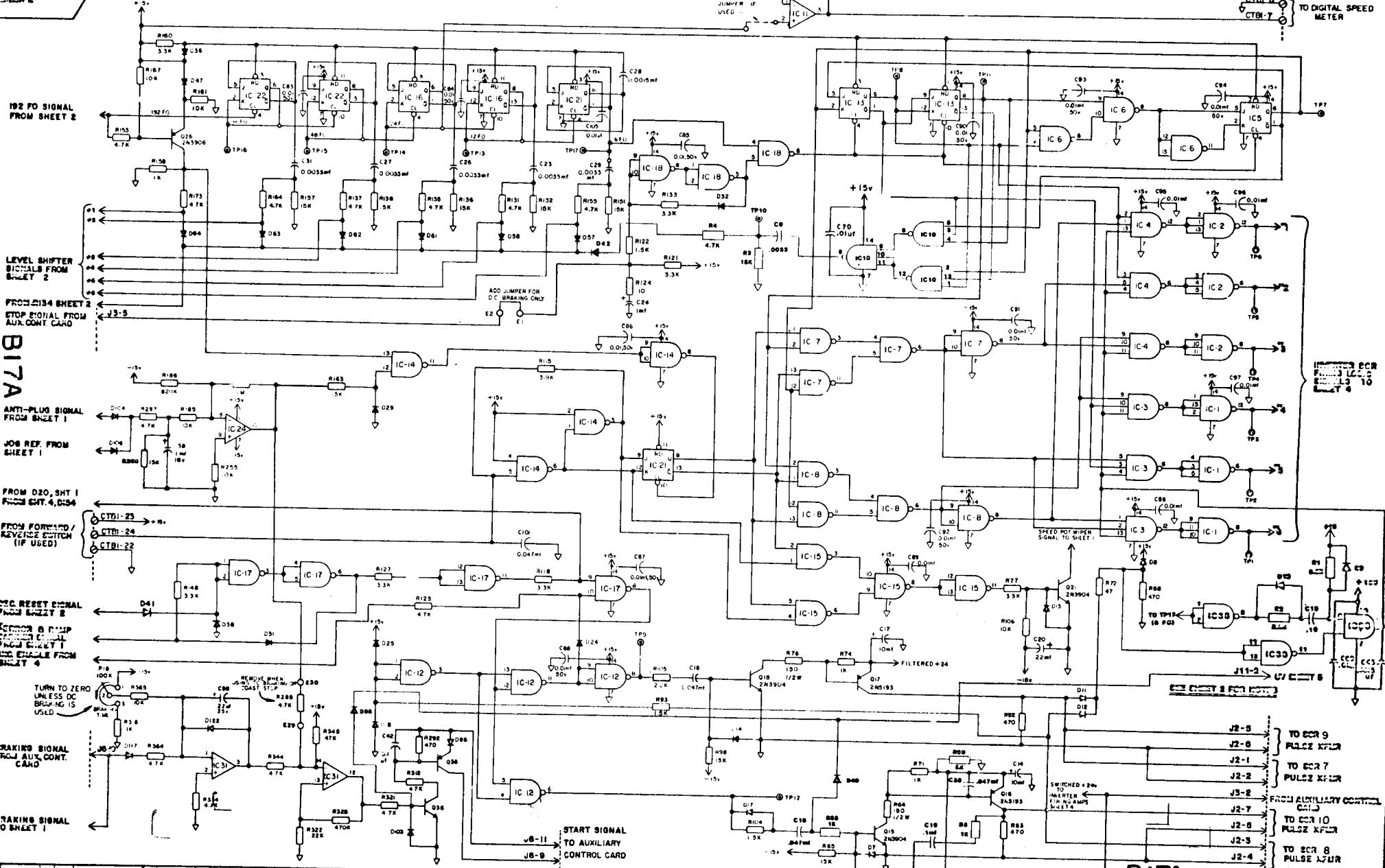
UNUSED RESISTORS: R7-20,29,30,39,40,49,50,59,60,70,79,80,89,90,100,110,123, 139,146,149,150,154,169,170,180,189,190,199,200, 210,218,219,220,221,223,225,237,279, 280,284,287,289,290,298,299,300,302,319,320,324,325,331,333,333,340,349,350,353,353, 369,370,379,380,390,399,400,409,410,419,420,438,440,443,448,449,450,453,453,453,453,470, 475,480,482, & ABOVE



B16A

SHEET 2 OF 6

REV	DATE	BY	CHKD	APP'D	REMARKS	REV	DATE	BY	CHKD	APP'D	REMARKS	REV	DATE	BY	CHKD	APP'D	REMARKS	REV	DATE	BY	CHKD	APP'D	REMARKS
1						1						1						1					



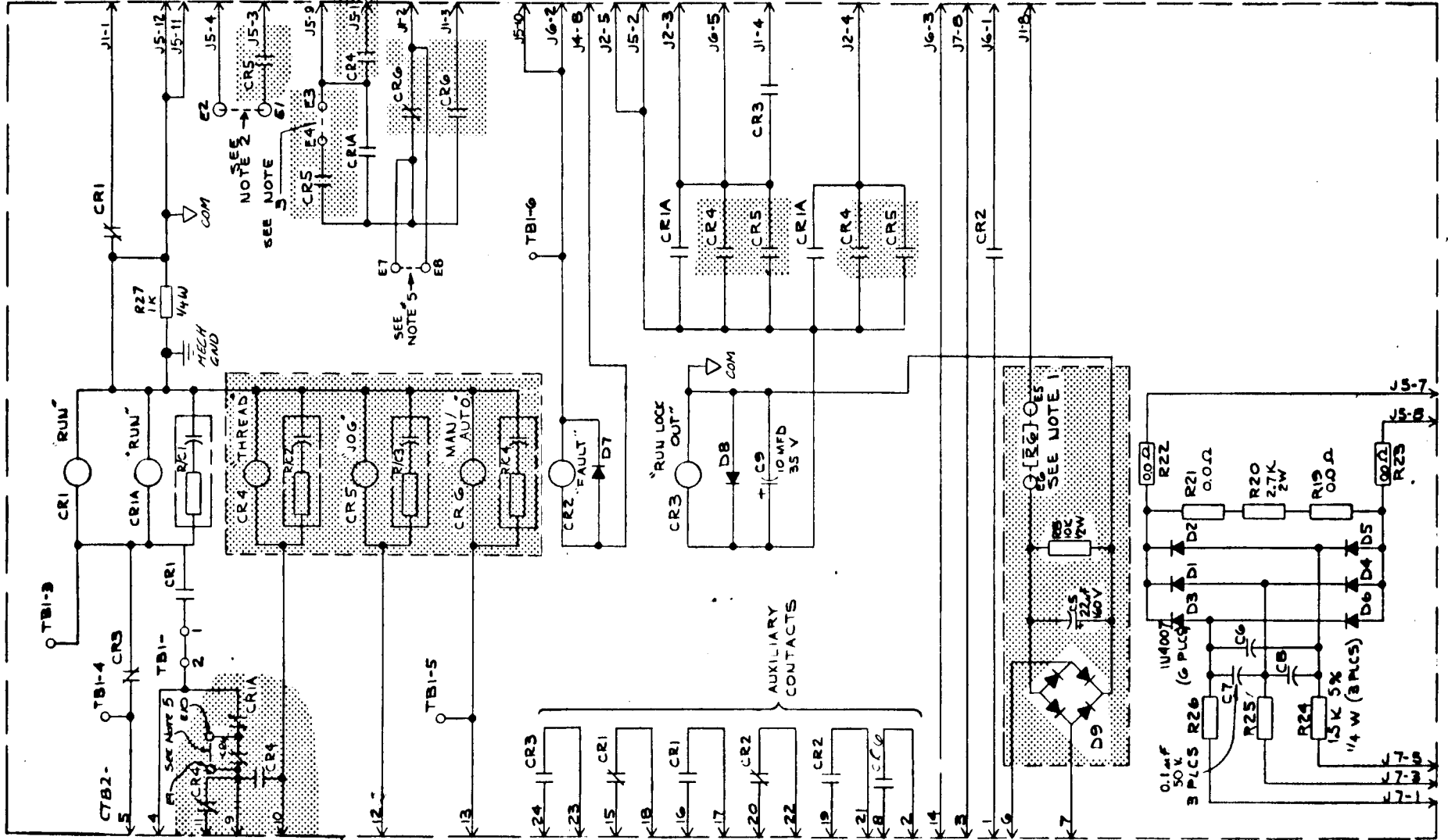
B17A

B17A

REPLACE SCR FROM 13 TO 10 SHEET 4

SEE SHEET 2 FOR CONNECTIONS

REV	DATE	BY	CHKD	REVISION	DESCRIPTION	DATE	BY	CHKD	REVISION	DESCRIPTION	DATE	BY	CHKD	REVISION	DESCRIPTION	DATE	BY	CHKD	REVISION	DESCRIPTION
1																				
2																				
3																				
4																				
5																				
6																				
7																				
8																				
9																				
10																				



NOTES:

- 1.) THIS RESISTOR VARIES ACCORDING TO APPLICATION.
- 2.) JUMPER REMOVED FOR "JOG AT RUN SPEED".
- 3.) JUMPER ADDED FOR "JOG AT RUN SPEED".

- 4.) SHADED AREAS DENOTE OPTIONAL CIRCUITRY.
- 5.) DELETE JUMPER WHEN AUTO MANUAL IS USED

B23

REV	BY	DATE	REMARKS	REV	BY	DATE	REMARKS	DRN	TOLERANCE: Unless Otherwise Specified	NAME	SCALE	MODEL	FIG. NO.
1				1				311		SCHMATIC DIAGRAM - AUXILIARY CONTROL PCB		AC II	19-7002
2				2									
3				3									
4				4									

B23



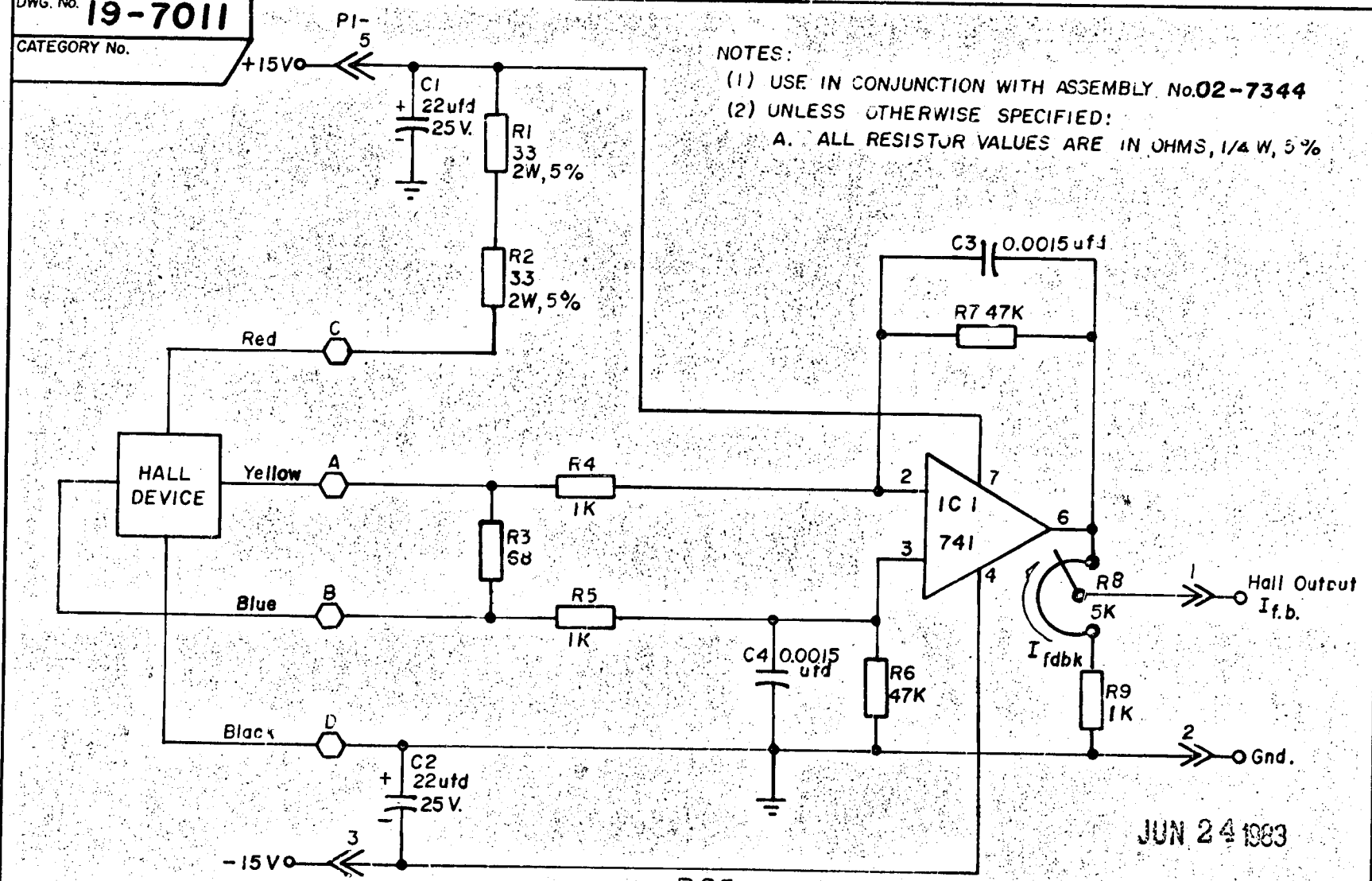
19-7002

DWG. No. **19-7011**

CATEGORY No.


NOTES:

- (1) USE IN CONJUNCTION WITH ASSEMBLY No.02-7344
- (2) UNLESS OTHERWISE SPECIFIED:
 - A. ALL RESISTOR VALUES ARE IN OHMS, 1/4 W, 5%



JUN 24 1983

B25

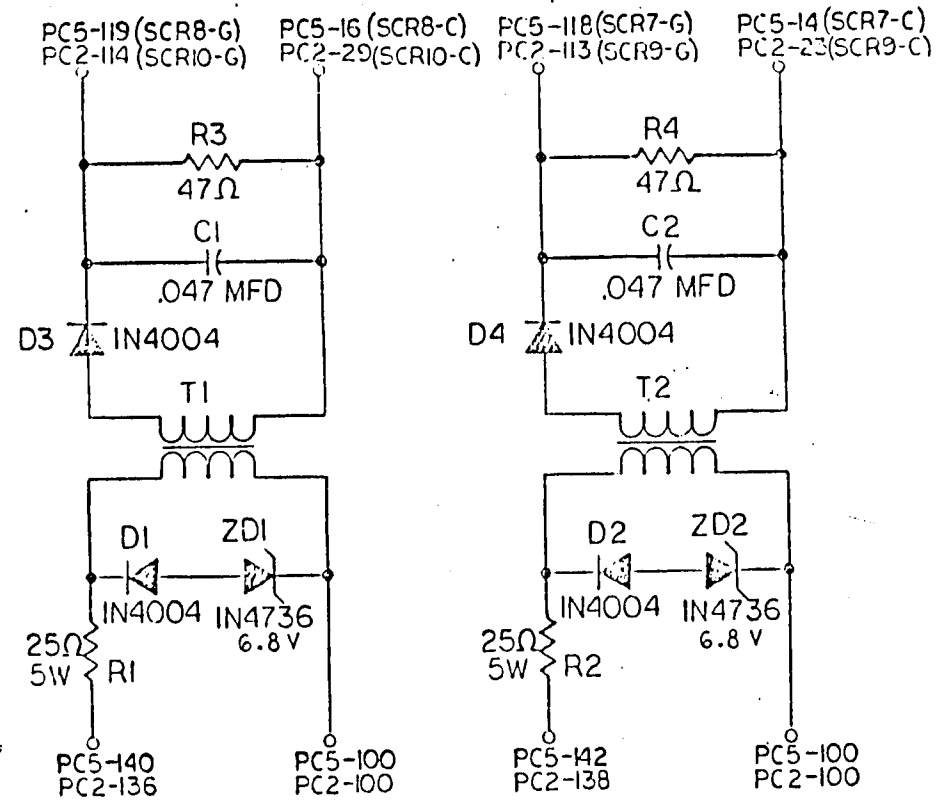
B					DRN	TOLERANCE: Unless Otherwise Specified	NAME SCHEMATIC DIAGRAM	 Graham Company A Unit of Stowell Industries
A	816177	RK	3/81		CHK			
DR	806183	RK	8/80		APR	3 PLC.	MATERIAL	MODEL AC- II
LET	ECN	BY	DATE	REMARKS		SCALE <i>None</i>		

B25

B26

PART NO 19-6640

ECN	LET	BY	DATE	REMARKS
776255	DR	GU	2/77	
796276	A	BU	7-75	



B26

GRAHAM TRANSMISSIONS CO.
 DIVISION OF STOWELL INDUSTRIES INC.
 MENOMONEE FALLS WISCONSIN

NAME OF PART SCHEMATIC DIAGRAM -
 CHOPPER GATE FIRING MODULE

DRAWN BY <i>Y. J.</i>	DATE <i>7/77</i>	TOLERANCES FRACTIONAL -	MATERIAL
CHECKED	DATE	DECIMAL -	
APPROVED <i>Tom V.</i>	DATE <i>7/77</i>	ANGLE -	PART NO 19-6640
SCALE			

3

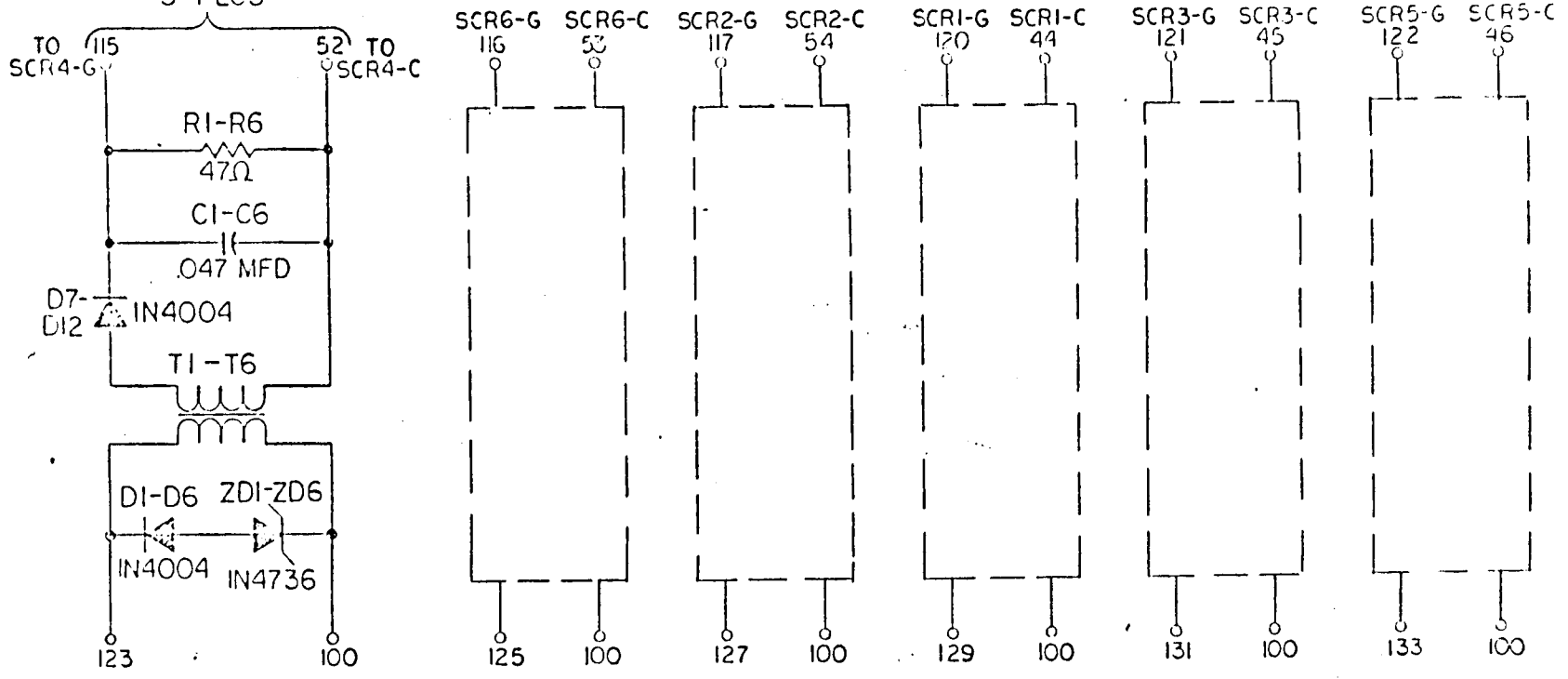
2

1

19-6645

ECN	REV	BY	DATE	REMARKS
773289	02	BU	8/77	
793276	A	BU	7/77	

CIRCUIT REPEATED
5 PLCS



B27

GRAHAM TRANSMISSIONS CO.
DIVISION OF STOWELL INDUSTRIES INC.
MEMONONE FALLS WISCONSIN

NAME OF PART SCHEMATIC DIA -
INVERTER GATE FIRING MODULE

DATE 8/5/77

CHECKED DATE

APPROVED DATE

SCALE

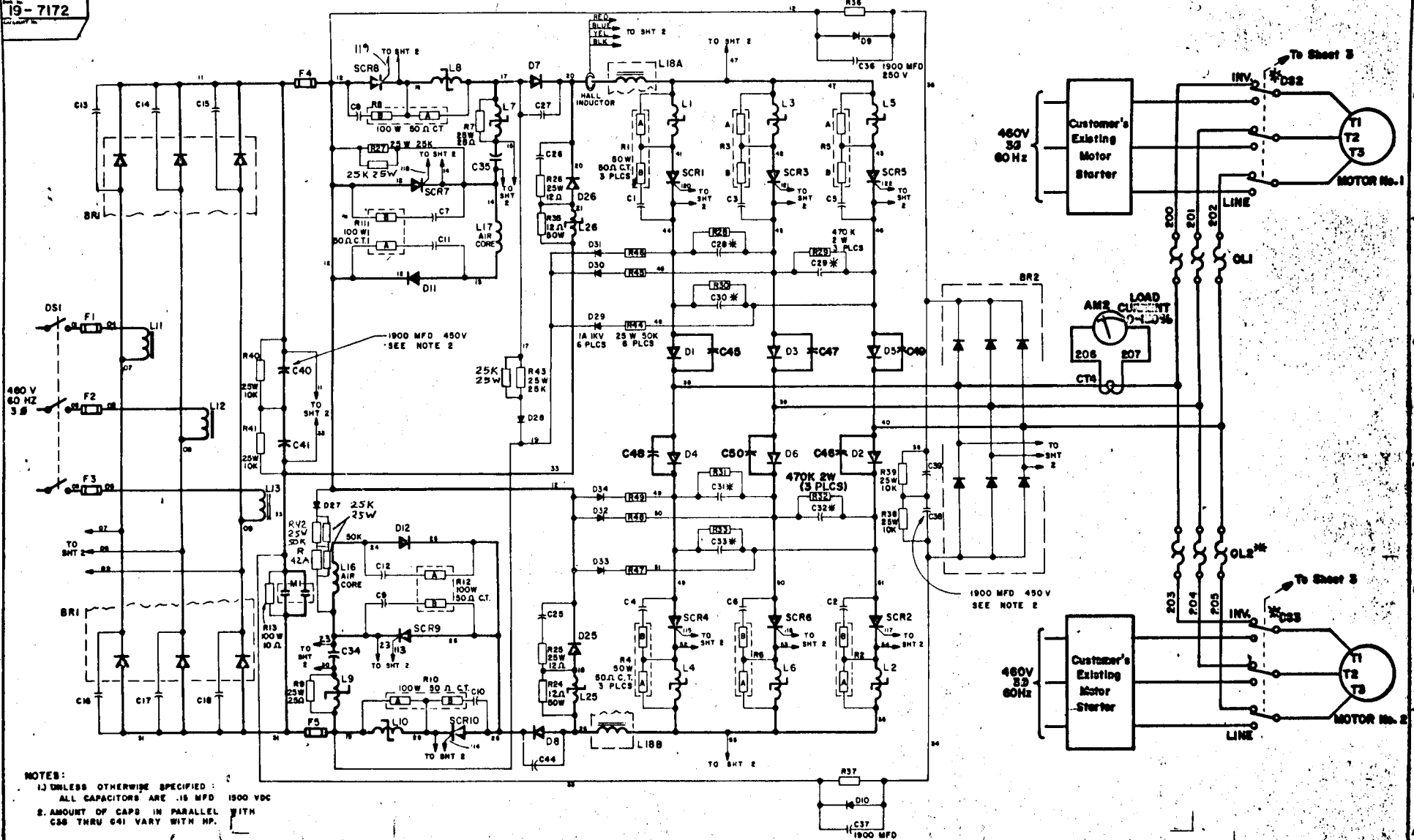
TOLERANCES
FRACTIONAL
DECIMAL
ANGLE

19-6645

B27

19-7172

A1

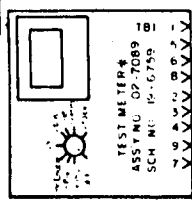


NOTES:
 1. UNLESS OTHERWISE SPECIFIED:
 ALL CAPACITORS ARE .15 MFD 1500 VDC
 2. AMOUNT OF CAPS IN PARALLEL WITH
 C38 THRU 641 VARY WITH HP.

A1 SHEET 1 OF 3

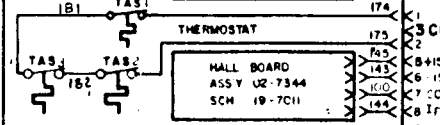
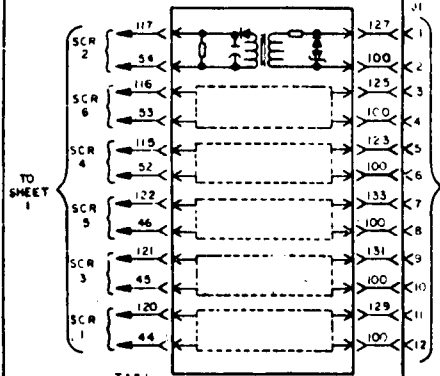
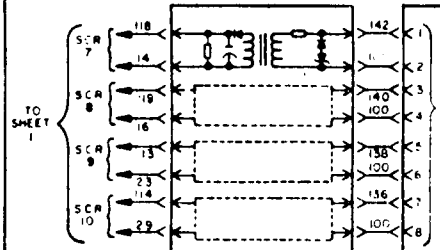
REV	BY	DATE	REVISION	REV	BY	DATE	REVISION	REV	BY	DATE	REVISION	REV	BY	DATE	REVISION	REV	BY	DATE	REVISION

SCHMATIC DIAGRAM -
 19-7172



460V, 50/60Hz, 3#

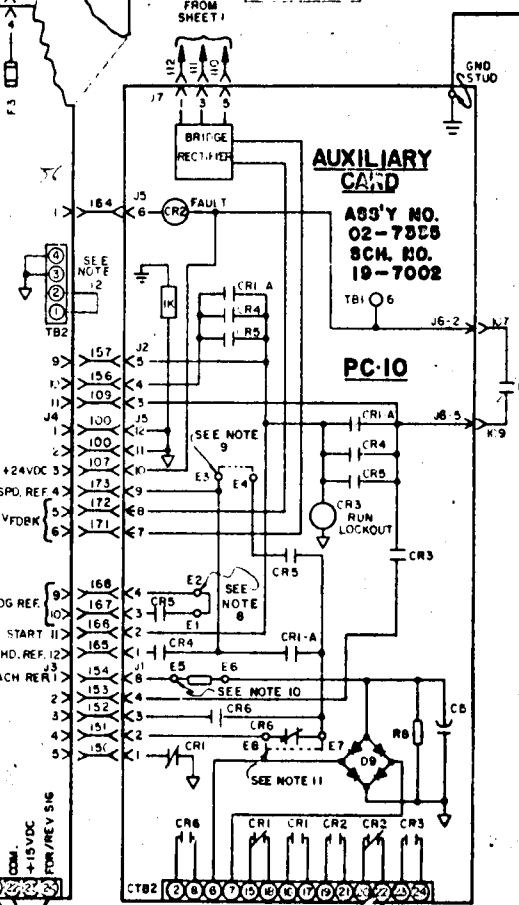
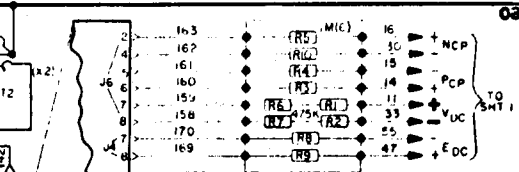
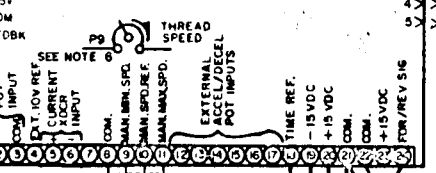
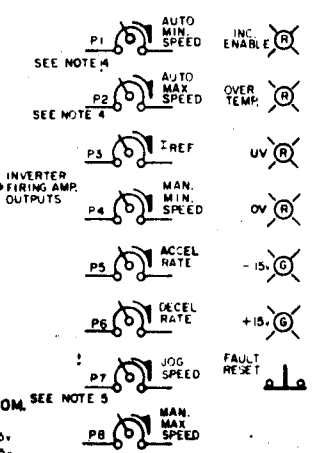
07A 100A To Sheet 3



15-25 HP DO NOT HAVE TAS3

PCI MAIN CONTROL CARD

ASSY NO. 02-7364 SCH. NO. 19-7048



AUXILIARY CARD

ASSY NO. 02-7825 SCH. NO. 19-7002

PC-10

NOTES:

- (1) * INDICATES COMPONENTS SUPPLIED ONLY WHEN SPECIFIED.
(2) THE ARROWS ON THE POTENTIOMETERS (PCI) INDICATE A CLOCKWISE INCREASE.
(3) REMOVE JUMPER BEFORE CONNECTING FOR/REV SWITCH.
(4) P1 & P2 (PCI) ARE ONLY USED WITH AUTO/MAN OPTION INCLUDED.
(5) P7 (PCI) IS USED ONLY WITH JOG OPTION INCLUDED.
(6) P9 (PCI) IS USED ONLY WITH THREAD OPTION INCLUDED.
(7) TB1 IS LOCATED ON PCIO.
(8) E1 & E2 (PCIO) JUMPER TO BE REMOVED FOR JOG AT RUN SPEED.
(9) E3 & E4 (PCIO) JUMPER TO BE ADDED FOR JOG AT RUN SPEED.
(10) E5 & E6 (PCIO) RESISTOR VALUE VARIES WITH TACH.
(11) E7 & E8 (PCIO) JUMPER TO BE REMOVED WHEN AUTO/MAN IS USED.
(12) FOR REMOTE FAULT RESET REPLACE JUMPER WITH A N.C. MOMENTARY PUSH-BUTTON. USE SHIELDED WIRE & TIE SHIELD TO TD2-3.
(13) ON SINGLE MOTOR DRIVE OL2 & DS3 ARE DELETED, OL2 N.C. CONTACT & DS3 INTERLOCK SWITCH ARE REPLACED BY JUMPERS.
(14) ON DRIVES WITHOUT DS2 & DS3, THEIR INTERLOCK CONTACTS ARE REPLACED BY JUMPERS.

To Sheet 3 A3

SHT 2 OF 3

Revision table with columns for #, DATE, REMARKS, and drawing information.

SCHEMATIC DIAGRAM

Graham Company

19-7172